



URL/ <http://www.yueicaster.co.jp>  
E-mail [yuei@mbf.sphere.ne.jp](mailto:yuei@mbf.sphere.ne.jp)

Feel free to contact us if you have any questions or requests.  
The contents of this catalog may change without prior notice.



This document is printed using environment-friendly process qualified as SILVER status by ESPA. <http://www.espa.com>

YUEI CASTER Comprehensive Catalog VOL.15



# YUEI CASTER®

## Vol.15

Always at your foot



# Table of Contents

**Company Profile** 2 to 4

## About Casters

1. Structure of Caster and Names of Parts	5
2. Types of Stoppers	5
3. Structure of the Revolving Portion	6
4. Types of Mounting Methods	7 to 8
5. Description of Various Wheels	9 to 12

## About Quality

1. Introduction of Product Testing	13
2. Chemicals Contained in Products	14
3. Cautions for Using Casters	15 to 16

## Selection Guidance

1. Selection Guidance of Caster according to Mounting Method	17 to 20
2. Selection Guidance of Caster according to Application and Environment	21 to 22

## Product Information

1. INDEX of Pages of Products	23
2. Description of Icons on Pages of Products	24
3. Outline of each Caster Series	25 to 28
4. How to View Pages of Products	29
Products(Caster)	30 to 149
Custom - made Items	150
Product(easy-lock)	151 to 152
Wheels	153 to 165

**Introduction of Offices** 166



## Management Principle

We pursue employee's happiness of both physically and psychologically and contribute to community through development of business.

## Company Policy

Our company is united to manufacture and sell products meeting customers' requests with all our heart.

## Company overview

Trade name	YUEI CASTER Co.,Ltd.
Establishment	October 1977
Capital	80 million yen
Representative director	Kota Ojima
Business outline	Design, production and sales of caster and relevant products
Associated companies	YUEI CASTER(SHANGHAI)CO.,LTD. OJIMA Co. Ltd.
Main customer	Canon KYOCERA KONNICA MINOLTA DAIHATSU MOTOR TOYOTA MOTOR Panasonic Hitachi Fuji XEROX MORI SEIKI ROHM

## Greetings from the Representative

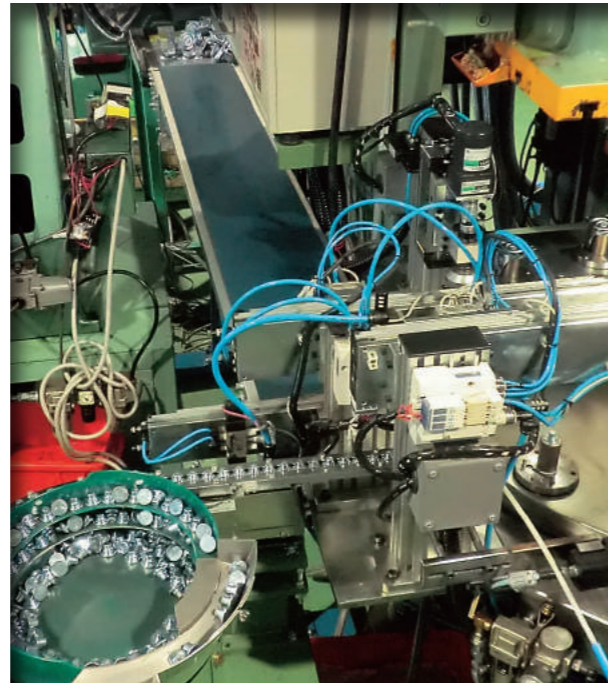
**We are determined to make the best use of inventiveness to satisfy customers.**

YUEI CASTER has been dedicated to produce casters since its establishment in 1977.

Although caster is an inconspicuous product, it is a necessary product. All staff have been trying hard to keep improving skills, make the best use of inventiveness and make creative jobs. We are determined to make customers happy and become an indispensable company by producing new products.

Representative director  
*Kota Ojima*

All staff are united to satisfy customers' requests.



## Sales department

### Proposal ability

Our manufacturing department, sales department and engineering department are united to propose products meeting specifications and applications provided by customers with a great deal of enthusiasm.

### Footwork

All sales offices in Japan cooperate and quickly deliver a caster meeting customers' requests.

### Quick response

We quickly respond to inquiries from customers so as not to make customers wait for the response regarding selection and delivery date of a caster.

## Manufacturing department

### High response capability with in-house production

We improve the rate of in-house production to meet customers' requests and make process production including mold making, part processing and assembly work.

### Establishment of production system

We have established the production system that can support detailed order, such as small lot size and quick delivery.

### Just-in-time system

We have built the just-in-system to receive and deliver products through carefully thought-out plan and production management based on co-operation with affiliated companies.

### Thorough 5S activities

We thoroughly carry out 5S (Seiri (Tidiness), Seiton (Orderliness), Seiso (Cleanliness), Seiketsu (Standardization), and Shitsuke (Discipline) in the plant for safety management.

## Development department

### Advanced product development

We develop and sell next-generation casters through original technique in order to meet customers' diverse and advanced requests.

### Challenging to new materials and new structures

We always obtain most-advanced information, adopt new materials, device new mechanisms, make improvements in order to keep providing high-quality casters.

### Thorough performance testing

We carry out thorough performance testing based on strict control criteria in order to provide reliable products to customers.

## Management department

### Healthy management

We build solid management foundation by making all staff participate in management in order to make customers do business with us comfortably.

### Building the quality assurance system

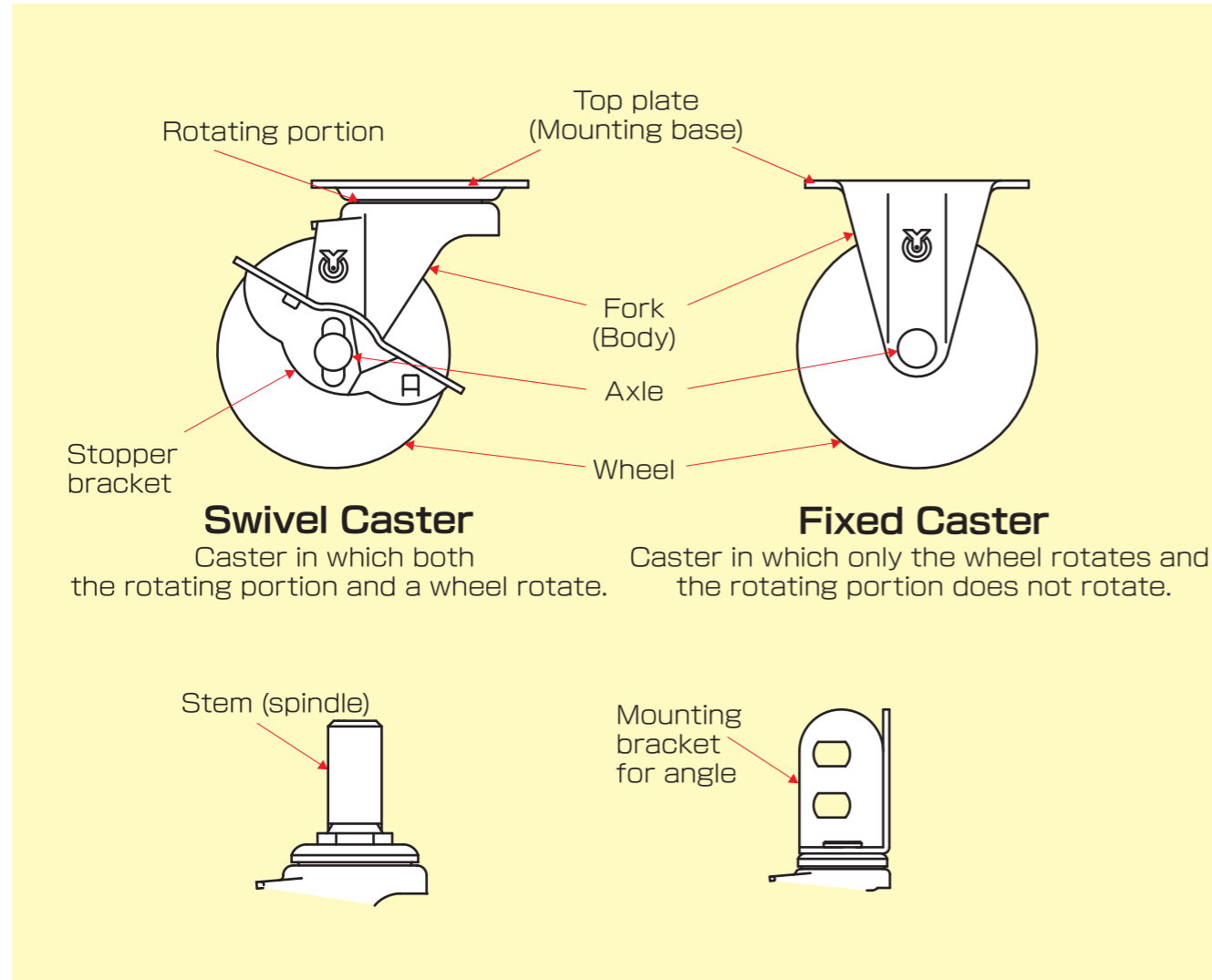
We are certified according to ISO9001 and ISO-14001, improve quality to provide high quality and eco-friendly products and carry out chemical substances management.

### Human resources development

We develop professionals of caster by enhancing the education system and develop spiritually rich people by self-realization through work.

## 1. Structure of Caster and Names of Parts

A caster is mounted to an object in order to carry or move the object easily.  
Mounting a caster to a object is easy and casters can be used for various purposes.



## 2. Types of Stoppers

- Single stopper: ... This is the stopper used for only locking rotation of a wheel.
- Spirally fixing type: This is the stopper used for only locking rotation of the revolving portion.
- Double stopper: ... This is the stopper used for locking rotation of a wheel and rotation of the revolving portion at the same time.

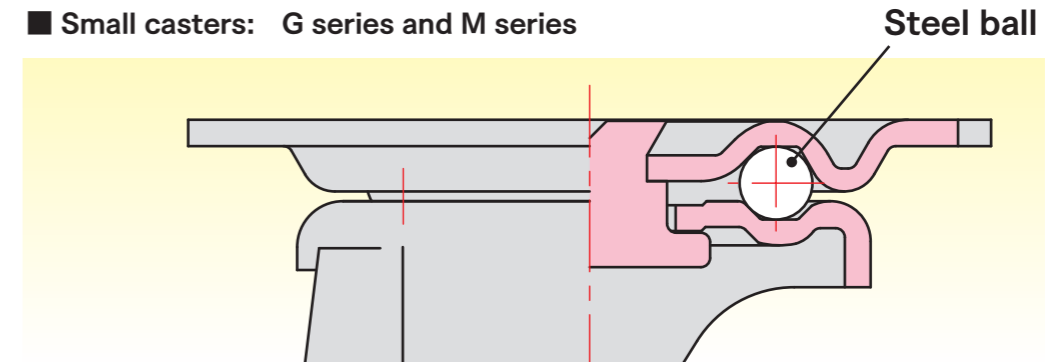
\* There is a type equipped with both single stopper and revolution fixing type.

## 3. Structure of the Revolving Portion

### Single thrust bearing type

\* Single bearing structure is used for giving priority to cost.

#### ■ Small casters: G series and M series

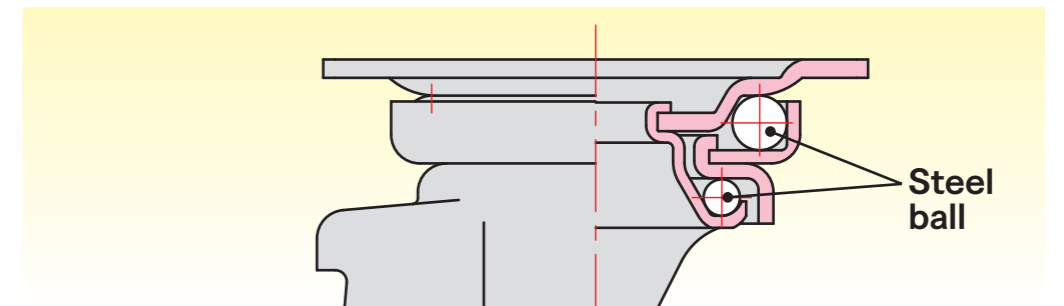


### Double thrust bearing type

\* Smooth rotation is realized by adopting the double bearing structure.

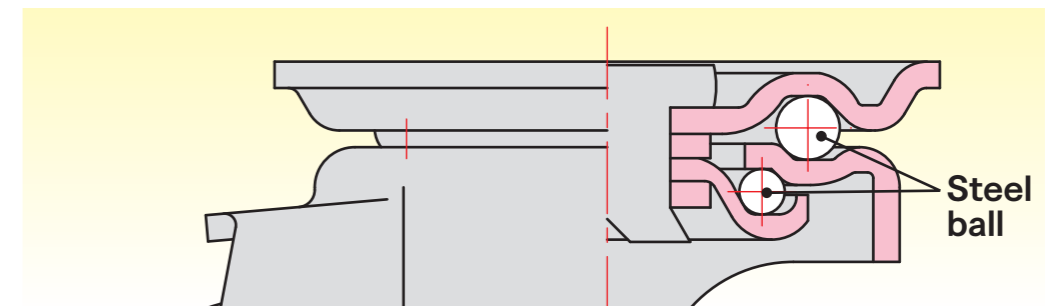
#### ■ Industrial casters

J series, J2 series and SUS-J2 series



#### ■ Small casters (double bearing)

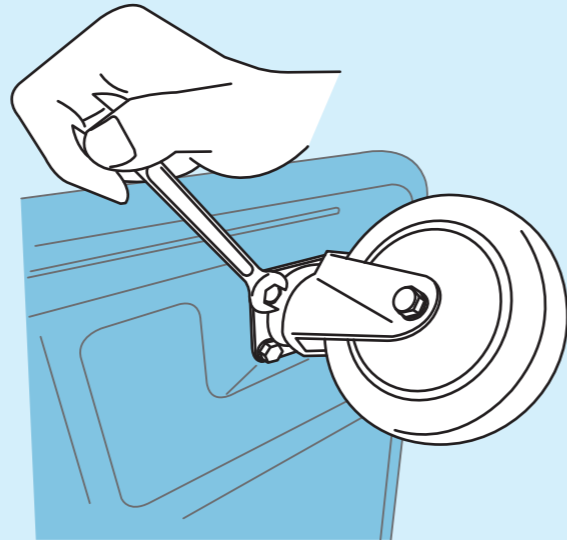
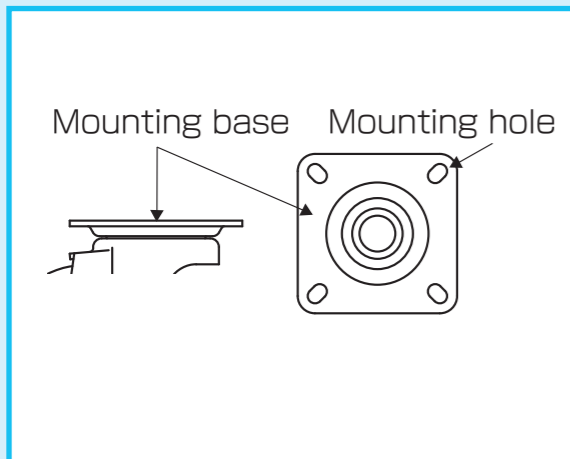
SJ series, S series, E series, L series, SA series, H series, SUS-SJ series, SUS-S series, SUS-E series, SUS-H series



## 4. Types of Mounting Methods

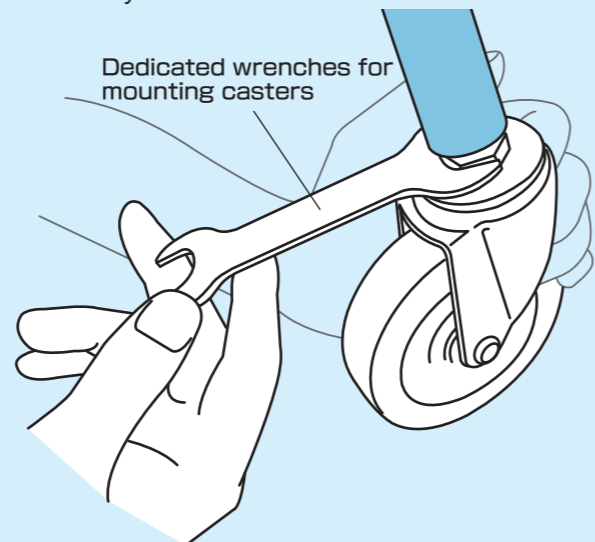
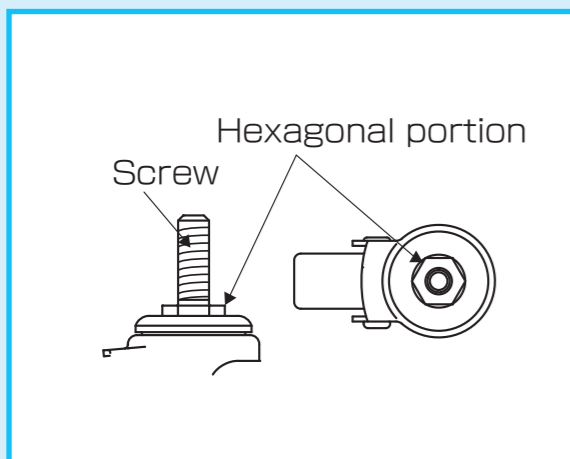
### Plate Type

Holes for mounting a caster are provided on the mounting base.  
Mount the caster using screws and bolts as illustrated in the figure.  
\* Please make sure to use all mounting holes.



### Screw-in Type

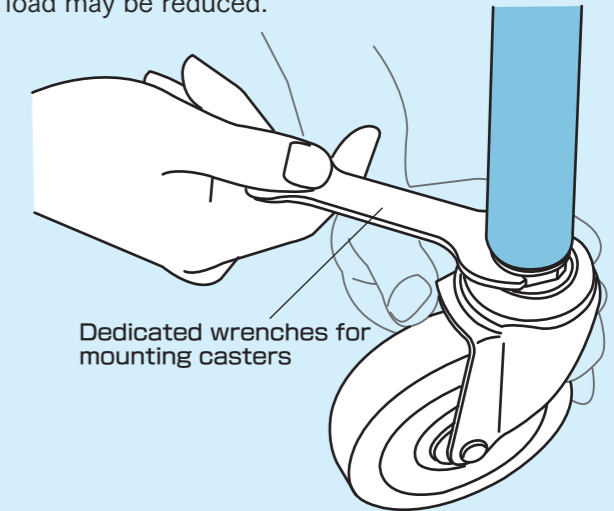
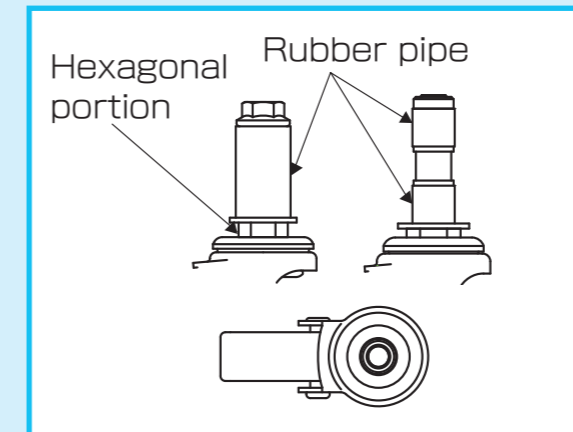
Since a thread is provided on the stem, mount a caster by screwing the caster on the stem.  
After lightly screwing a caster by hand, mount the caster by tightening the hexagonal part using a dedicated flat wrench as illustrated in the figure. At that time, drive screws firmly to the end.  
\* If screws are not screwed in to the end, allowable load may be reduced.



### Insertion Type (Rubber Pipe Type)

Since a rubber pipe is provided on the stem, a caster can be mounted by inserting it into a pipe, etc.  
After inserting the caster, tighten the hexagonal part using a flat wrench as illustrated in the figure and inflate the rubber pipe. At that time, insert the pipe firmly to the end.

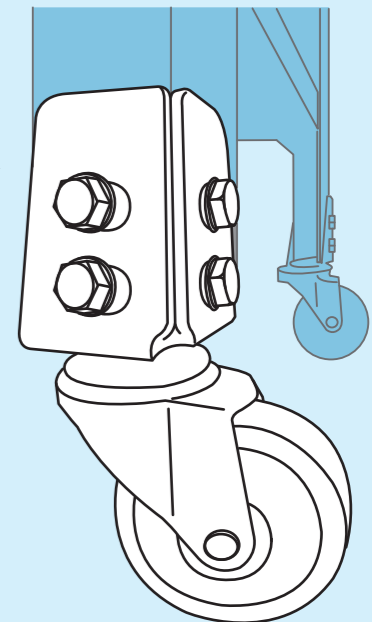
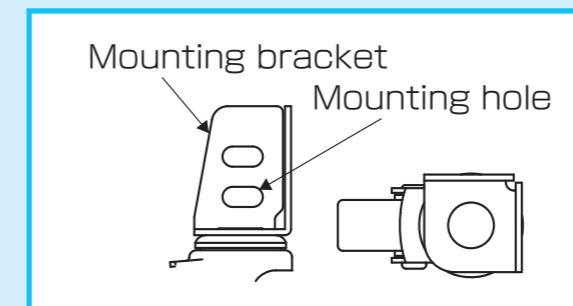
\* If the pipe is not inserted to the end, allowable load may be reduced.



### Angle Type

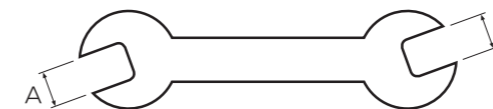
A caster can be easily mounted to the angle using screws and bolts.  
Make sure to firmly insert the angle to inside of the mounting bracket to make the bracket close contact with the angle. At last, fix the mounting holes and the holes on the angle, and then mount a caster using screws and bolts.

\* If the angle is not inserted to the end of the inside of the mounting bracket, allowable load may be reduced.



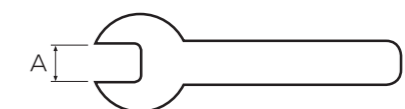
### Dedicated wrenches for mounting casters

Double open-end flat wrench



Product number	A(mm)	B(mm)
19 x 21 wrench	19	21
21 x 23 wrench	21	23

Single open-end flat wrench



Product number	A(mm)
14 flat wrench	14
17 flat wrench	17
30 flat wrench	30

## 5. Description of Various Wheels

Chart of general characteristics of materials used for wheels

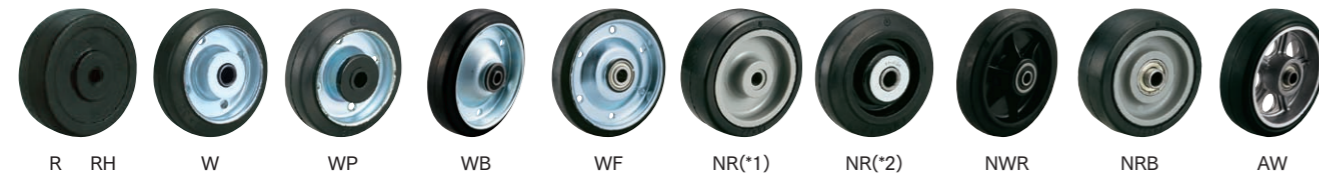
	Rubber	Nylon	Urethane	Elastomer	Phenol	MC nylon	Polycarbonate
Elasticity	◎	×	○	○	×	×	×
Compression set	○	◎	○	△	◎	◎	◎
Abrasion resistance	○	◎	◎	△	○	◎	◎
Weather resistance	△	◎	○	◎	◎	◎	◎
Oil resistance (machine oil)	×	◎	◎	×	◎	◎	◎
Resistance to gasoline	×	◎	◎	×	◎	◎	◎
Water resistance	◎	○	△	◎	○	○	○
Resistance to chemicals (weak acid, alkali)	○	◎	×	◎	◎	◎	(◎, ×)
Heat resistance (°C)	70	70	70	70	120	120	120
Low temperature resistance (°C)	-30	-20	-30	-30	-40	-40	-40

\* Only material is general characteristic. Since materials are affected by working conditions and environment of caster products, please use this list as guidelines for selecting and determining materials.  
 ◎ : Excellent ○ : Good  
 △ : Acceptable × : Not acceptable  
 \* For urethane, characteristics of thermoplastic urethane are described.

### Characteristics of wheels

## Rubber Wheels \* (including B) indicates wheels equipped with bearing.

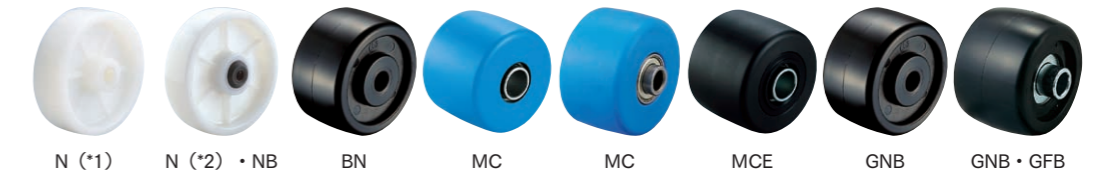
**Common characteristics**  
 Rubber wheels are widely used and provide elasticity and provide good traveling performance on uneven road surface. In addition, rubber wheels are cheaper than urethane wheels. A traveling mark is likely to be remained on floor surface while running and rubber wheels may be deformed if load is applied for extended period of time.



Wheel symbol	Wheel name	Features
R	Rubber wheels	This is a standard wheel in which rubber is integrated.
RH	Rubber wheels	This is a standard wheel in which rubber is integrated.
W	Rubber wheel with steel plate wheel assembly (including B)	This is a standard wheel in which the wheel assembly portion is made of steel plate. Since a commercial bearing is used, rotation of a wheel is good.
WP	Rubber wheel with steel plate wheel assembly	The wheel assembly portion is made of steel plate. By using a resin bush at the bearing portion, this wheel provides cost effectiveness even though traveling performance is degraded compared with normal bearings.
WB	Rubber wheel with steel plate wheel assembly (including B)	The wheel assembly portion is made of steel plate. Since a commercial bearing is used, rotation of a wheel is good. Also, rattle between the body and a wheel is eliminated, rattling of a wheel while traveling is reduced.
WF	Rubber wheel with steel plate wheel assembly (including B)	The wheel assembly portion is made of steel plate. Since a deep-groove bearing is used, rotation of a wheel is excellent and rotating sound is reduced.
NR(*1)	Rubber wheel with nylon wheel assembly	Since the wheel assembly portion is made of resin, this wheel is lighter than the wheel type in which rubber is integrated.
NR(*2) • NWR	Rubber wheel with nylon wheel assembly (including B)	Since the wheel assembly portion is made of resin, this wheel is lighter than the wheel type made of steel plate. Since a commercial bearing is used, rotation of a wheel is good.
NRB	Rubber wheel with nylon wheel assembly (including B)	Since the wheel assembly portion is made of resin, this wheel is lighter than the wheel type in which rubber is integrated. Since a deep-groove bearing is used, rotation of a wheel is good.
AW	Rubber wheel with aluminum wheel assembly (including B)	The wheel assembly portion is made of aluminum die-casting and provides excellent durability. Since a deep-groove bearing is used, rotation of a wheel is good.

## Nylon wheel \* (including B) indicates wheels equipped with bearing.

**Common characteristics**  
 This material keeps resistance to chemicals, such as weak acid and alkali. Wear caused by running is least likely to occur and deformation is least likely to occur even if load is applied for extended period of time. Since this material provides high rigidity, this material is weak to strong shock and running sound is large on uneven road surface.



Wheel symbol	Wheel name	Features
N(*1)	Nylon wheel	This is a general nylon wheel formed by resin integration molding.
N(*2)	Nylon wheel (including B)	This wheel is formed by resin integration molding. Since a deep-groove bearing is used, rotation of a wheel is good.
NB	Nylon wheel (including B)	This wheel is formed by resin integration molding. Since a deep-groove bearing is used, rotation of a wheel is good.
BN	Nylon wheel	This is a black nylon wheel formed by resin integration molding.
MC	MC nylon wheel	This wheel is formed by resin integration molding. In comparison with nylon wheels, this wheel provides higher load resistance and higher shock resistance. Also, this wheel provides excellent resistance to higher heat and lower temperature. Double ball bearing (φ 50 only) • Since a needle bearing is used, rotation of wheel is less likely to be affected even if high load is applied.
	MC nylon wheel (including B)	
MCE	MC nylon wheel (conductivity)	This wheel is formed by resin integration molding. In comparison with nylon wheels, this wheel provides higher load resistance and higher shock resistance. Also, this wheel provides excellent resistance to higher heat and lower temperature. Double ball bearing (φ 50 only) • Since a needle bearing is used, rotation of wheel is less likely to be affected even if high load is applied. In comparison with standard wheels, this wheel is less electric conductive and absorption of dust and dirt caused by static electricity is prevented.
	MC nylon wheel (including B) (conductivity)	
GNB	Reinforced nylon wheel	This wheel is formed by resin integration molding. In comparison with nylon wheels, this wheel provides higher shock resistance.
	Reinforced nylon wheel(including B)	
GFB	Reinforced nylon wheel (including B)	This wheel is formed by resin integration molding. In comparison with nylon wheels, this wheel provides higher load resistance and higher shock resistance. Since a deep-groove bearing is used, rotation of wheel is less likely to be degraded even if high load is applied.

## 5. Description of Various Wheels

### Urethane Wheels \* (including B) indicates wheels equipped with bearing.

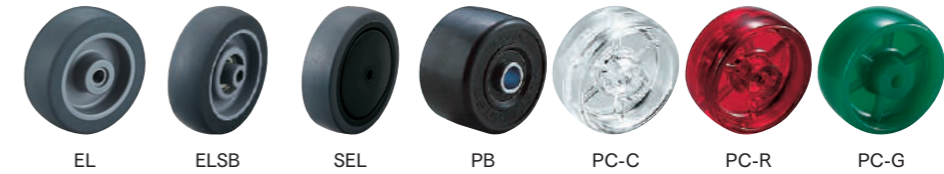


These wheels provide high load bearing and durability in which wear is less likely to occur while moving. Also, these wheels provide resistance to oil, such as gasoline and general machine oil. However, these wheels may deteriorate if these wheels are placed in water or humid environment for long period of time.



Wheel symbol	Wheel name	Features
UW	Urethane wheel with steel plate wheel assembly (including B)	The wheel assembly portion is made of steel plate. Since a commercial bearing is used, rotation of a wheel is good.
UWB	Urethane wheel with steel plate wheel assembly (including B)	The wheel assembly portion is made of steel plate. Since a deep-groove bearing is used, rotation of a wheel is good. Also, rattle between the body and a wheel is eliminated, rattling of a wheel during running is reduced.
UWF	Urethane wheel with steel plate wheel assembly (including B)	The wheel assembly portion is made of steel plate. Since a deep-groove bearing is used, rotation of a wheel is excellent and rotating sound is reduced.
UR	Urethane wheel with nylon wheel assembly	The wheel portion is made of resin. This is a general urethane wheel in wheels having small wheel diameter.
UHF	Urethane wheel with nylon wheel assembly (including B)	The wheel portion is made of resin. Since a deep-groove bearing is used, rotation of a wheel is excellent and rotating sound is reduced.
NU	Urethane wheel with nylon wheel assembly	The wheel portion is made of resin. This wheel is equipped with a wheel cover.
SUE	Urethane wheel with antistatic nylon wheel assembly (including B)	The wheel portion is made of resin. This wheel is equipped with a wheel cover. In comparison with standard wheels, this wheel is less electric conductive and absorption of dust and dirt caused by static electricity is prevented. Since a deep-groove bearing is used, traveling performance is improved and rotating sound is reduced.
GU	Urethane wheel with nylon wheel assembly (including B)	Since the wheel assembly portion is made of resin, this wheel is lighter than the wheel type made of steel plate. Since a commercial bearing is used, rotation of a wheel is good.

### Other Wheels \* (including B) indicates wheels equipped with bearing.



Wheel symbol	Wheel name	Features
EL	Elastomer wheel	The wheel assembly portion is made of resin; therefore this wheel is light. This wheel provides elasticity, which is equivalent to that of a rubber wheel, and provides excellent traveling performance even on uneven road surface. Also, traveling mark is less likely to remain on floor surface.
ELSB	Elastomer wheel (including B)	The wheel assembly portion is made of resin; therefore this wheel is light. This wheel provides elasticity, which is equivalent to that of a rubber wheel, and provides excellent traveling performance even on uneven road surface. Also, traveling mark is less likely to remain on floor surface. Since a deep-groove bearing is used, rotation of a wheel is excellent and rotating sound is reduced.
SEL	Elastomer wheel (including B)	The wheel assembly portion is made of resin; therefore this wheel is light. This wheel provides elasticity, which is equivalent to that of a rubber wheel, and provides excellent traveling performance even on uneven road surface. Also, traveling mark is less likely to remain on floor surface. Since a deep-groove bearing is used, rotation of a wheel is excellent and rotating sound is reduced.
PB	Phenol wheel (including B)	This wheel is formed by resin integration molding. Since materials provide high rigidity, deformation is least likely to occur even if load is applied for extended period of time. This material keeps high resistance to chemicals, such as acid and alkali and provides excellent heat resistance. Double ball bearing (φ 50 only) • Since a needle bearing is used, rotation of wheel is less likely to be degraded.
PC-C	Polycarbonate wheel (transparent)	This wheel is formed by resin integration molding. This wheel provides excellent resistance to chemicals, corrosion resistance and wear resistance. This wheel is characterized by transparent appearance.
PC-R	Polycarbonate wheel (Red)	This wheel is formed by resin integration molding. This wheel provides excellent resistance to chemicals, corrosion resistance and wear resistance. This wheel is characterized by red semitransparent appearance.
PC-G	Polycarbonate wheel (Green)	This wheel is formed by resin integration molding. This wheel provides excellent resistance to chemicals, corrosion resistance and wear resistance. This wheel is characterized by green semitransparent appearance.

## 1. Introduction of Product Testing

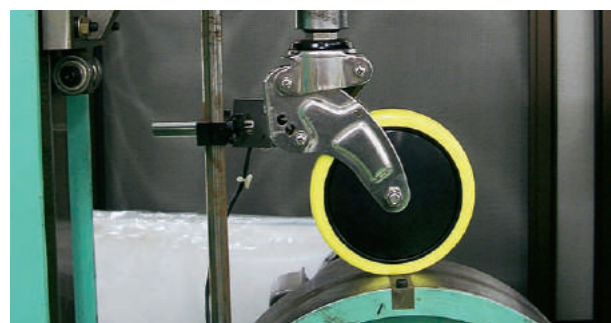
Lever type running performance testing machine



**Manufactured by us**

Running durability of a caster (mainly, wheel and revolving portion) is evaluated. This test is done by applying allowable load to a caster and make the caster run on a drum made of steel having projections at a fixed distance and at a regular speed.

Direct driven type running performance testing machine



**Manufactured by us**

Running durability of a caster (mainly, wheel and revolving portion) is evaluated. In addition, vertical vibration (vibration acceleration) of a stand when a caster climbs over a projection.

Drop hammer-type impact testing machine



**Manufactured by us**

This test is used for evaluation impact on a caster. This test is performed by continuing free fall of a weight from the predetermined height until an error occurs while measuring the overall height of a caster and deformation amount of a wheel.

Universal tensile and compression stress testing machine



**Manufactured by IMADA SEISAKUSHO CO., LTD. SDW-9902-SH**

This test is measured by measuring strain amount when load is applied and measuring estimate data regarding withstanding load performance. There are two types of tests. One is the destruction test in which load is applied until the object is destructed and another is the static load test in which a pre-determined load is applied for a predetermined time period.

Turn starting force tester



**Manufactured by us**

This is the test used for evaluating revolving performance of a universal wheel. This test is done by placing a wheel at an angle of 90° to the traveling direction to measure startability at the traveling direction while load is applied.

Rotation performance testing machine



**Manufactured by us**

This test is used for evaluating rotation startability of a wheel. This test is performed by placing a caster on the testing surface and then gradually increasing weight using a pull cord, which is parallel to the testing surface, and a pulley. Then, startability of a wheel is measured when the wheel makes a half turn.

## 2. Chemicals Contained in Products



### About RoHS directive [DIRECTIVE 2002/95/EC]

The official name of this directive is "Restriction Of the use of certain Hazardous Substances in electrical and electronic equipment" and this directive restricts use of certain hazardous substances contained in electrical and electronic equipment that was enforced in European Union in July 2006.

After enforcement of this directive, electrical and electronic equipment sold in EU member nations are prohibited not to contain substances to be restricted exceeding the threshold concentration with some exceptions.

Substances to be restricted	Threshold*1
Cadmium and its chemical compound	100ppm
Hexavalent chromium and its chemical compound	1000ppm
Lead and its chemical compound	1000ppm* 2
Mercury and its chemical compound	1000ppm
Polybrominated biphenyls	1000ppm
Polybrominated diphenyl ethers	1000ppm

1000ppm = 0.1 wt%

\*1 Threshold is the threshold limit value of concentration in a homogeneous material.

\*2 Some products manufactured by us have parts in which one of items exempted from RoHS directive is used (lead as an alloying element in steel containing up to 0.35% lead by weight, aluminum containing up to 0.4% lead by weight and as a copper alloy containing up to 4% lead by weight, and free-cutting steel containing a maximum of 0.35wt% of lead in steel materials exceeding 0.1wt% of lead concentration).

\*3 As for contents of JIG (Joint Industry Guide), refer to the web page of JGPSSI (Japan Green Procurement Survey Standardization Initiative) ([http://www.db.co.jp/jeita\\_eps/green/green-TOP.html](http://www.db.co.jp/jeita_eps/green/green-TOP.html)).

As for supporting status of confirmation of chemicals contained in our products (RoHS directive, JIG [Joint Industry Guide]\*3 and others) and request for survey of chemical substances contained in our products, please contact our branches, business office and sales representatives.

## 3. Cautions for Using Casters

### 1 Application

Castors are designed to be intermittently used by humans in order to facilitate transfer of items.

### 2. Selection of casters and use conditions

#### (1) Allowance load

The value that human can easily move an object on a flat floor surface is described as allowable load in the catalog. (\*excluding casters supporting towing) Select the appropriate caster according to total load applied on the caster. However, load may be applied to 3 pieces of casters even though 4 pieces of casters are used; therefore upper limit of total movable load can be calculated with the following formula.

When using 4 pieces of casters  
 Allowable movable load = Allowable load of one piece of caster x 4 x 0.8

- Expression of power is daN.  
 $1 \text{ daN} = 10 \text{ N} \approx 1.02 \text{ kgf} (1 \text{ kgf} \approx 9.8 \text{ N} = 0.98 \text{ daN})$

#### (2) Using speed

Castors shall run on flat floor surface at room temperature, and castors shall be used within the range on the following table. (Do not use castors continuously if heat is generated.)

Wheel diameter	Using speed
100mm or less	2km/h or lower
100mm or higher	4km/h or lower

\*Excluding casters supporting towing

#### (3) Use conditions

- Normally, use castors in doors and at room temperature.

Do not use castors in special environment susceptible to high temperature, low temperature, high humidity, acid, alkali, salt content, solvent, oil, sea water, chemicals, etc. Products may be damaged. Please contact us when using a cater in special environment. When temporarily stopping rotation of a caster, please use a stopper.

### 3 Precautions for mounting a caster

- (1) Combine casters that are the same series.
- (2) Mount swivel casters in such a manner that the rotation axis is vertical.
- (3) Mount fixed casters in such a manner that casters become parallel each other.
- (4) Tighten the mounting bolt firmly so as not become loose. For a screw-in type caster, check optimum torque before tightening a caster.
- (5) Be sure to set the stopper to OFF when mounting a caster equipped with a stopper.

\* If a caster is mounted while the stopper is set to ON, the braking portion may be damaged.

### 4. Precautions for use

- Tire mark may remain on floor.
- Do not apply load exceeding allowable load.
- Put a load in such a manner that load is evenly applied to each caster.
- For fixed caster, do not apply excessive force at right rotation angle of a wheel.
- Do not use casters in such a manner that impact is applied.
- Do not use casters on significantly uneven surface.
- Do not tow casters by use of a trailer, etc.  
 \*Excluding casters supporting towing
- Be sure to wear shoes when operating the stopper.
- Do not move the caster forcibly while the stopper is applied.
- Do not apply excessive force and strong impact on the stopper.
- Do not leave the caster while the stopper is applied on an inclined surface.
- Do not operate the stopper while the caster is moving.
- Be sure to check that the stopper is released when moving a caster.
- Do not modify casters.

In the case of leaving the caster on the inclined surface, use the wheel stopper.

\* We assume no responsibility whatsoever for any accidents or failure resulting from modification.

### 5. Inspection, maintenance and replacement

- (1) Perform inspection and maintenance regularly in order to prevent accident and use a caster for a lengthy period.
- (2) Check the following items regularly.
  - Tightening portion of a caster
  - Breakage, rupture and deformation of a caster
  - Looseness of axle
- (3) If products have defects, such as deterioration and breakage, replace defective products immediately. (Do not replace part of products.)
- (4) If the revolving portion or wheel portion catches foreign substance, remove the substance immediately. Otherwise, poor rotating movement may occur.

★ If you have any questions, contact branch or sales office prior to using a caster.

\*Casters manufactured by us conform to JIS B 8923: 1999.



**Do not use casters under the following conditions.**

### Matters that lead to breakage of casters



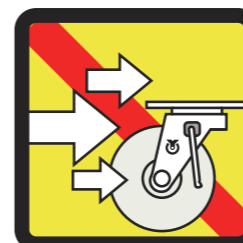
**Load shall be applied according to allowable load.**

If load exceeding allowable load is applied, a caster may be damaged and its performance may be degraded.



**Do not drop a caster or apply shock to a caster.**

The life of a caster may be shortened and the caster may be damaged.



**Do not move the caster forcibly while the stopper is applied.**

The stopper part may be damaged.



**For fixed wheel, do not apply excessive force at right rotation angle of a wheel.**

The bracket may be deformed, and performance of a caster may be degraded.



**Do not strike the stopper part with a hammer or step on the stopper part hardly.**

The stopper part may be damaged.



**Do not use casters on significantly uneven surface.**

The life of a caster may be shortened.



**Do not use a caster under special environment susceptible to high temperature, low temperature and high humidity, etc.**

Breakage or performance degradation of a caster may occur.

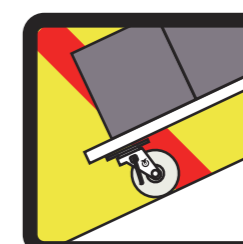


**When mounting a screw-in type caster, be sure to tighten the caster at the hexagonal part on the stem using a wrench.**



**Do not use casters when towing with wheels.**

A caster may be damaged and damaged caster may cause accident or injury.  
 (\*Excluding casters supporting towing)



**Do not leave the caster while the stopper is applied on an inclined surface.**

Leaving casters on an inclined surface since casters may start moving suddenly. Breakage or performance degradation of casters may occur.

### Matters that lead to physical injury



**Be sure to avoid eccentric loading.**

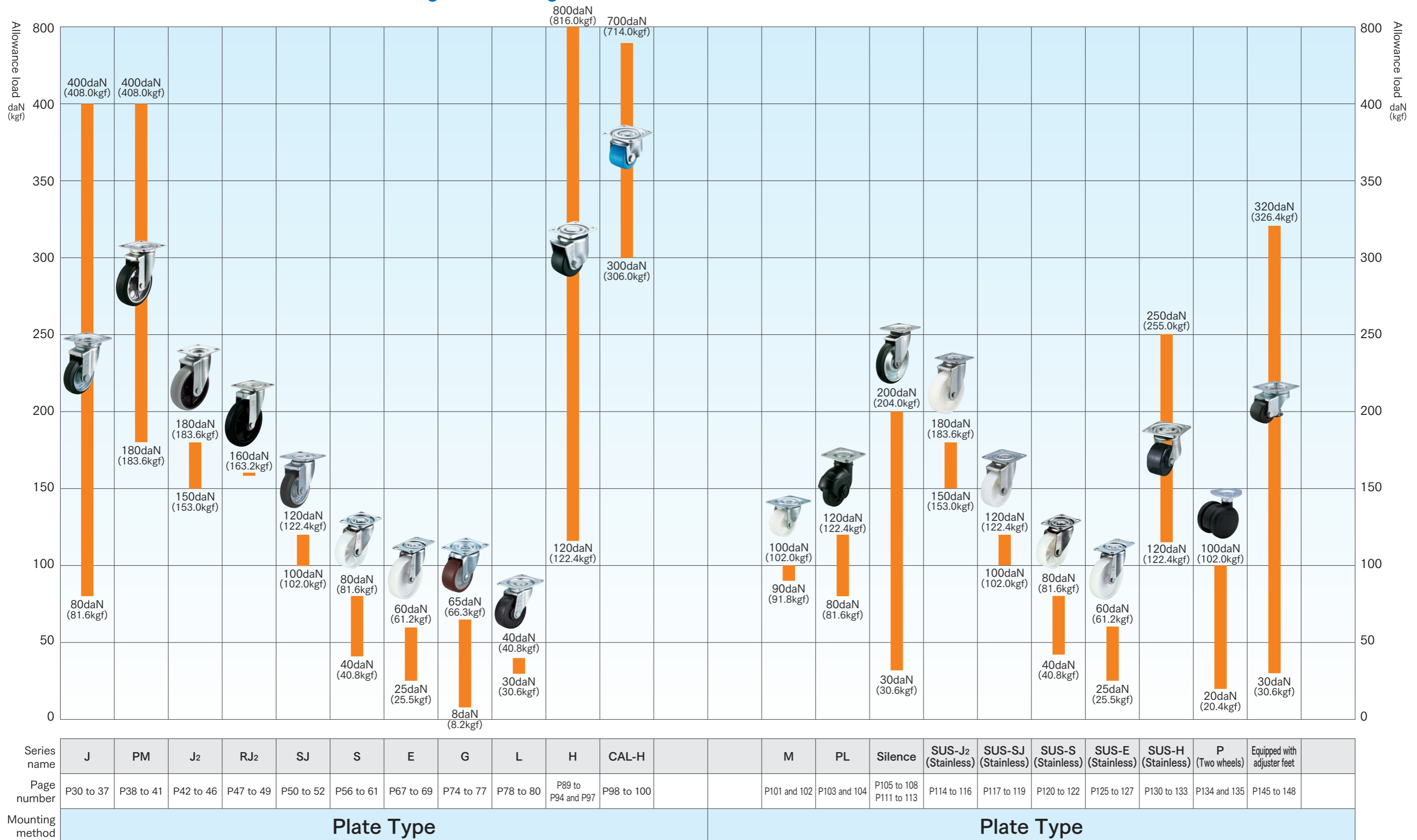
Eccentric loading is very dangerous because you may lose your balance and stumble.



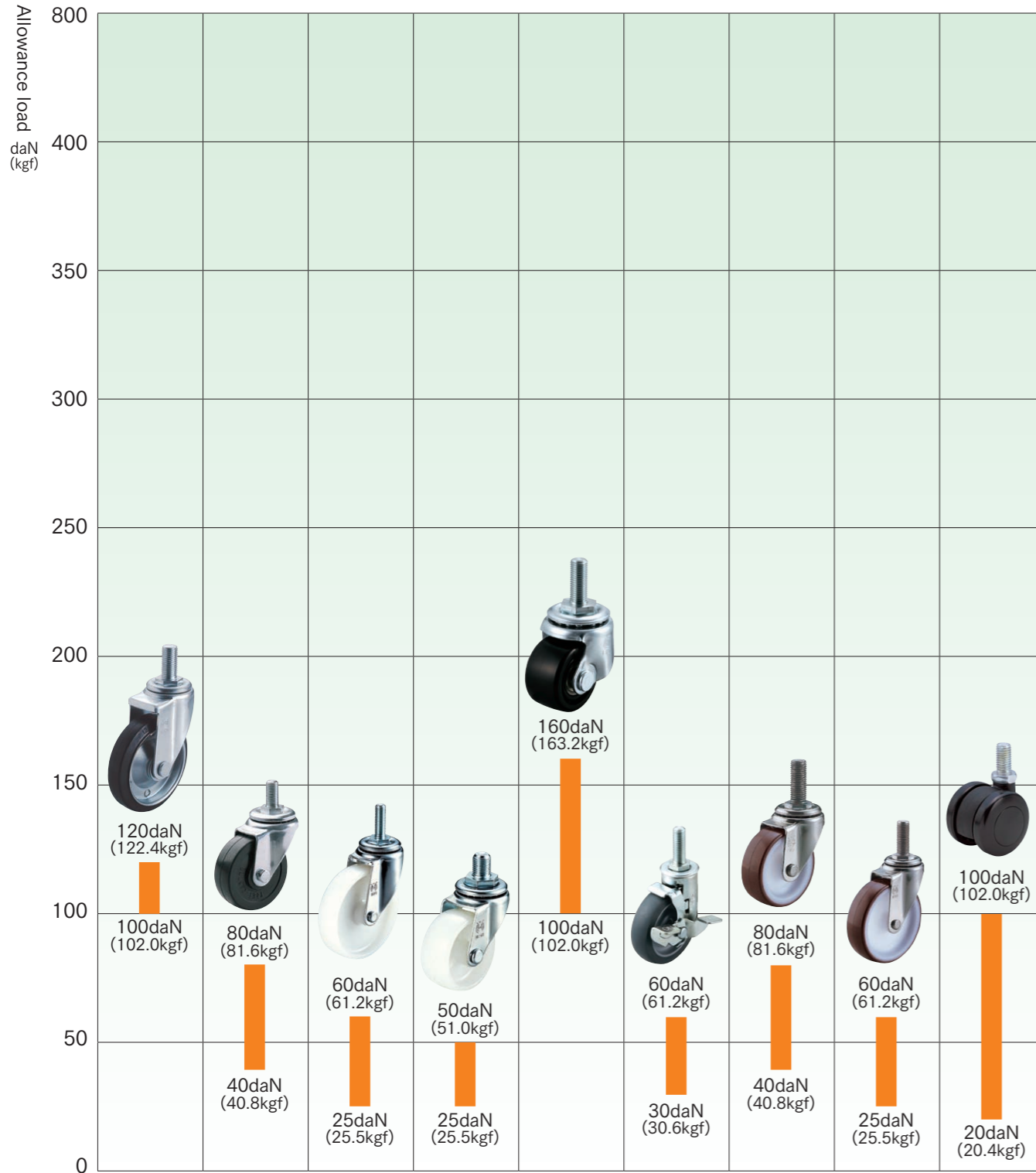
**Do not get on an object to which a caster is installed, such as a carrier.**

Getting on an object to which a caster is installed is very dangerous and you may get injured or die.

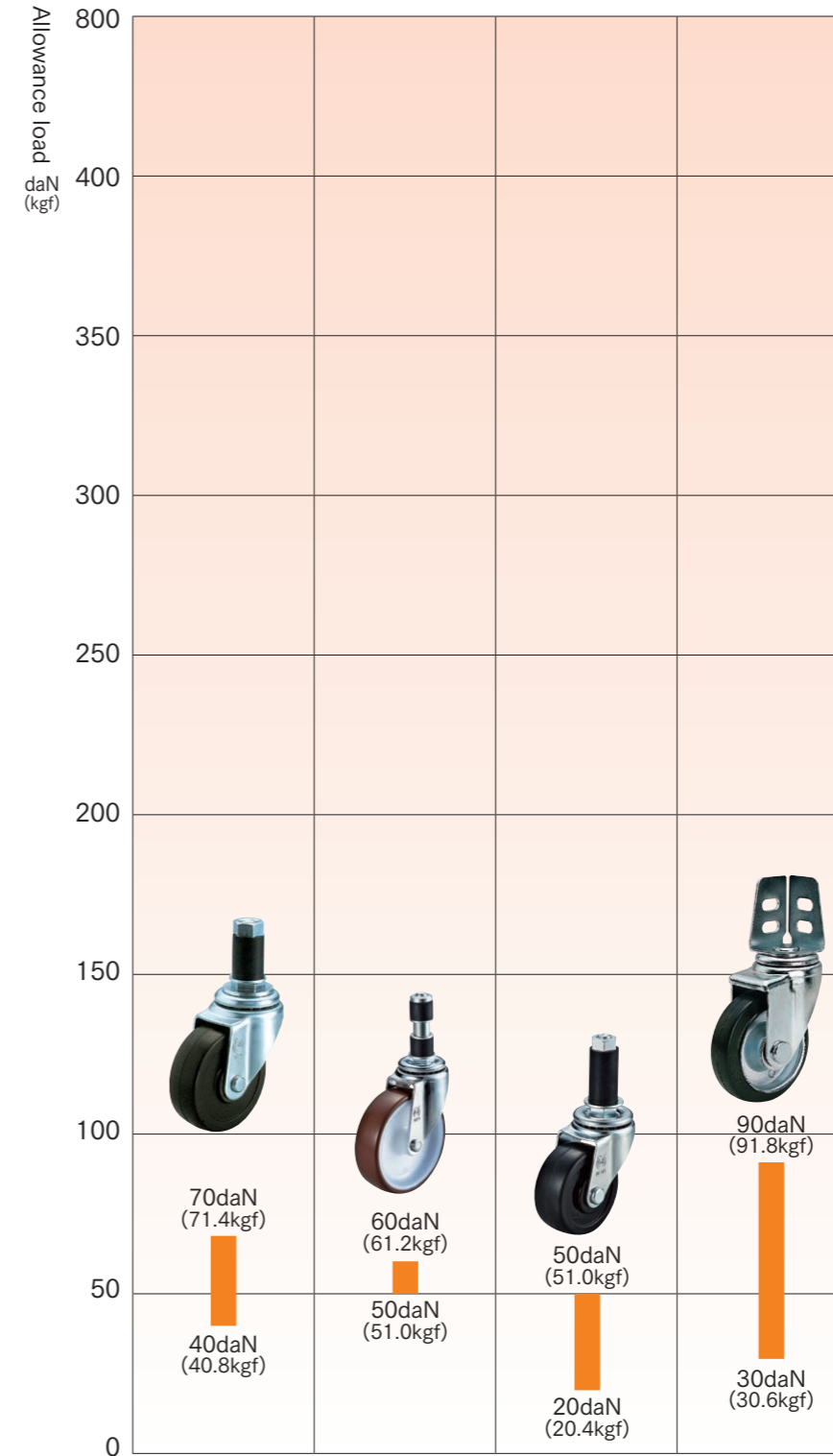
## 1. Selection Guidance of Caster according to Mounting Method



## 1. Selection Guidance of Caster according to Mounting Method

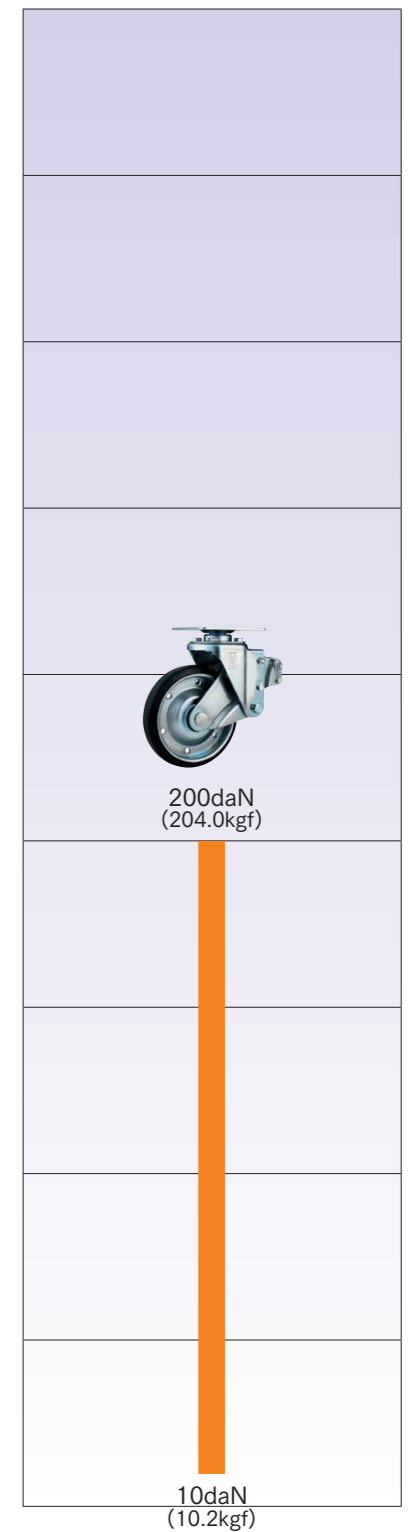


Series name	SJ	S	E	L	H	Silence	SUS-S (Stainless)	SUS-E (Stainless)	P (Two wheels)
Page number	P53 to 55	P62 to 64	P70 and 71	P81 and 82	P95 and 96	P109 and 110	P123 and 124	P128 and 129	P136 and 137
Mounting method	Screw-in Type								



Series name	S	E	L	SA
Page number	P65 and 66	P72 and 73	P83 and 84	P85 to 88
Mounting method	Insertion Type (Rubber Pipe Type)			Angle Type

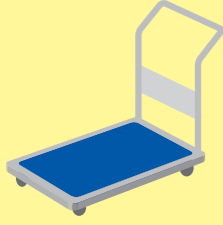
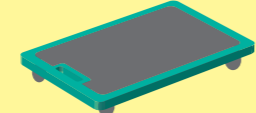

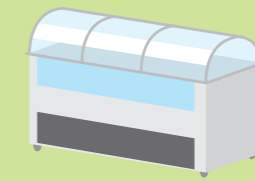



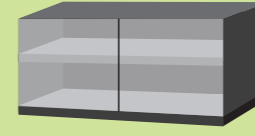
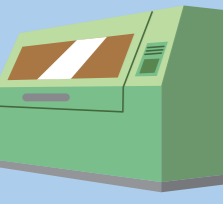


\* For casters equipped with shock absorber, standard load is described instead of allowable load.



Series name	SKY
Page number	P138 to 144
Mounting method	Equipped with shock absorber

## 2. Selection Guidance of Caster according to Application and Environment

### Recommended casters for each application

<p><b>Hand carrier</b></p>  <p>J series: P30 to 37 Wheel diameter: <math>\phi</math> 75 to <math>\phi</math> 200mm Allowable load: 80daN to 400daN (* This is allowable load for one piece of caster.)</p>	<p><b>Flat carrier</b></p>  <p>S series: P56 to 66 Wheel diameter: <math>\phi</math> 50 to <math>\phi</math> 100mm Allowable load: 40daN to 80daN (* This is allowable load for one piece of caster.)</p> <p>G series: P74 to 77 Wheel diameter: <math>\phi</math> 25 to <math>\phi</math> 75mm Allowable load: 8daN to 65daN (* This is allowable load for one piece of caster.)</p>	<p><b>Display rack</b></p>  <p>E series: P67 to 73 Wheel diameter: <math>\phi</math> 50 to <math>\phi</math> 125mm Allowable load: 25daN to 60daN (* This is allowable load for one piece of caster.)</p> <p>L series: P78 to 84 Wheel diameter: <math>\phi</math> 40 to <math>\phi</math> 75mm Allowable load: 20daN to 50daN (* This is allowable load for one piece of caster.)</p> <p>P series: P134 to 137 Wheel diameter: <math>\phi</math> 40 to <math>\phi</math> 60mm Allowable load: 20daN to 100daN (* This is allowable load for one piece of caster.)</p>	<p><b>Refrigeration and cold storage showcase</b></p>  <p>HGL type: P97 Wheel diameter: <math>\phi</math> 32mm Allowable load: 120daN (* This is allowable load for one piece of caster.)</p>
<p><b>Roll box pallet</b></p>  <p>J<sub>s</sub> series: P42 to 46 Wheel diameter: <math>\phi</math> 130 to <math>\phi</math> 150mm Allowable load: 150daN to 180daN (* This is allowable load for one piece of caster.)</p> <p>RJ<sub>s</sub> series: P47 to 49 Wheel diameter: <math>\phi</math> 150mm Allowable load: 160daN (* This is allowable load for one piece of caster.)</p>	<p><b>Towing carrier</b></p>  <p>PM series: P38 to 41 Wheel diameter: <math>\phi</math> 130 to <math>\phi</math> 200mm Allowable load: 180daN to 400daN (* This is allowable load for one piece of caster.)</p> <p>SKY series: P138 to 140 Wheel diameter: <math>\phi</math> 200mm Standard load: 100daN to 200daN (* This is allowable load for one piece of caster.)</p>	<p><b>Server rack</b></p>  <p>CAL-H series: P98 to 100 Wheel diameter: <math>\phi</math> 50 to <math>\phi</math> 75mm Allowable load: 300daN to 700daN (* This is allowable load for one piece of caster.)</p> <p>P series: P134 to 137 Wheel diameter: <math>\phi</math> 40 to <math>\phi</math> 60mm Allowable load: 20daN to 100daN (* This is allowable load for one piece of caster.)</p>	<p><b>Furniture</b></p>  <p>G series: P74 to 77 Wheel diameter: <math>\phi</math> 25 to <math>\phi</math> 75mm Allowable load: 8daN to 65daN (* This is allowable load for one piece of caster.)</p> <p>P series: P134 to 137 Wheel diameter: <math>\phi</math> 40 to <math>\phi</math> 60mm Allowable load: 20daN to 100daN (* This is allowable load for one piece of caster.)</p>
<p><b>Machinery and equipment</b></p>  <p>H series: P89 to 97 Wheel diameter: <math>\phi</math> 32 to <math>\phi</math> 80mm Allowable load: 100daN to 800daN (* This is allowable load for one piece of caster.)</p> <p>Casters with adjuster feet: P149 to 152 Wheel diameter: <math>\phi</math> 40 to <math>\phi</math> 100mm Allowable load: 30daN to 320daN (* This is allowable load for one piece of caster.)</p>	<p><b>Copying machine</b></p>  <p>G series: P74 to 77 Wheel diameter: <math>\phi</math> 25 to <math>\phi</math> 75mm Allowable load: 8daN to 65daN (* This is allowable load for one piece of caster.)</p> <p>P series: P134 to 137 Wheel diameter: <math>\phi</math> 40 to <math>\phi</math> 60mm Allowable load: 20daN to 100daN (* This is allowable load for one piece of caster.)</p>	<p><b>Office chair</b></p>  <p>G series: P74 to 77 Wheel diameter: <math>\phi</math> 25 to <math>\phi</math> 75mm Allowable load: 8daN to 65daN (* This is allowable load for one piece of caster.)</p> <p>P series: P134 to 137 Wheel diameter: <math>\phi</math> 40 to <math>\phi</math> 60mm Allowable load: 20daN to 100daN (* This is allowable load for one piece of caster.)</p>	

### Recommended casters for each environment

<p><b>For water supply system</b></p>  <p>Made of stainless steel</p> <p>SUS series: P114 to 133 Wheel diameter: <math>\phi</math> 50 to <math>\phi</math> 150mm Allowable load: 25daN to 250daN (* This is allowable load for one piece of caster.)</p>	<p><b>For clean room</b></p>  <p>Equipped with shock absorber</p> <p>SKY series: P141 to 144 Wheel diameter: <math>\phi</math> 100 to <math>\phi</math> 125mm Standard load: 10daN to 30daN (* This is standard load for one piece of caster.)</p>	<p><b>For environment where noise shall not occur</b></p>  <p>Silence series</p> <p>Silence series: P105 to 113 Wheel diameter: <math>\phi</math> 65 to <math>\phi</math> 200mm Allowable load: 30daN to 200daN (* This is allowable load for one piece of caster.)</p> <p>PL series: P103 and 104 Wheel diameter: <math>\phi</math> 100 to <math>\phi</math> 130mm Allowable load: 80daN to 120daN (* This is allowable load for one piece of caster.)</p>
---	---	--

## 1. INDEX of Pages of Products

J series	
J type	30
JB type (lever type)	31
JB type (pedal type)	32
J-S type	33
K type	34
KB type	35
JK type	36
JK-S type	37

PM series	
Description of PM	38
PMS type	39
PMS-LB type	40
PMR type	41

J2 series	
J2 type	42
J2-S type	43
K2 type	44
J2K type	45
J2K-S type	46

RJ2 series	
RJ2 type	47
RJ2-S type	48
K2 type	49

SJ series	
SJ type	50
SJ-S type	51
SK type	52
SJT type	53
SJT-S type	54
SJT-SW type	55

S series	
SG type	56
SG-S type	57
SR type	58
SGR type	59
SGC type	60
SGC-S type	61
ST type	62
ST-S type	63
ST special type	64
STF type	65
STF-S type	66

E series	
E type	67
E-S type	68
ER type	69
ET type	70
ET-S type	71
ETF type	72
ETF-S type	73

G series	
G type	74
G-S type	75
GR type	76
G type polycarbonate wheel	77

L series	
LG type	78
LG-S type	79
LR type	80
LT type	81
LT-S type	82
LTF type	83
LTF-S type	84

SA series	
SA type	85 and 86
SA-S type	87 and 88

H series	
UHG type	89
HG type	90
HG-S type	91
HR type	92
HSG type	93
HG-W type	94
HT type	95
HT-S type	96
HGL type	97

CAL-H series	
Description of CAL-H	98
CAL-UHG type	99
CAL-HG type	100

M series	
MG type	101
MR type	102

PL series	
PLJ type	103
PLK type	104

Silence series	
Description of silence (for light load)	105
Silence caster (for light load)	106
Silence caster (for light load) Equipped with stopper	107
Silence caster (for light load) (fixed type)	108
Silence caster (for light load) Screw-in Type	109
Silence caster (for light load) Screw-in type equipped with stopper	110
Silence caster (industrial)	111
Silence caster (industrial) Equipped with stopper	112
Silence caster (industrial) (fixed type)	113

SUS-J2 series	
SUS-J2 type	114
SUS-J2-S type	115
SUS-K2 type	116

SUS-SJ series	
SUS-SJ type	117
SUS-SJ-S type	118
SUS-SK type	119

SUS-S series	
SUS-SG type	120
SUS-SG-S type	121
SUS-SR type	122
SUS-ST type	123
SUS-ST-S type	124

SUS-E series	
SUS-E type	125
SUS-E-S type	126
SUS-ER type	127
SUS-ET type	128
SUS-ET-S type	129

SUS-H series	
SUS-HG type	130
SUS-HG-S type	131
SUS-HR type	132
SUS-HSG type	133

P series	
P type	134
P-S type	135
P type screw-in type/ insertion type	136
P-S type screw-in type/ insertion type	137

SKY series	
Precautions for using SKYφ200	138
Description of SKYφ200	139
SKY-S type/ SKY-R type (φ200)	140
Description of SKYφ100 and 125	141
Precautions for using SKYφ100 and 125	142
SKY-S type/ SKY-R type /SKY-T type (φ100 and 125)	143 and 144

Series equipped with adjuster feet	
AF type	145
E-AF type	146
HG-AF type	147
SPLG type	148

Special series	
Resin caster φ75 type / parallel caster type	149
Custom - made Items	150

Easy-lock series	
Description of easy-lock	151
Small ELOCK type/ industrial ELOCK type	152

Table of wheel dimensions for each caster series	
J series/ PM series	153
J2 series/ RJ2 series/ SJ series	154
S series/ E series	155
G series	156
L series/ SA series (φ50 to 75)	157
SA series (φ100) / H series (UHG type) (HGL type))	158
H series (HG type, HG-S type, HR type, HG-W type, HT type, HT-S type, HSG type)	159
CAL-H series/ M series	160
PL series/ Silence series	161
SUS-J2 series/ SUS-SJ series	162
SUS-S series/ SUS-E series	163
SUS-H series	164
SKY series / Series equipped with adjuster feet	165

\*  indicates new products.

## 2. Description of Icons on Pages of Products

### Icons for basic structure



Swivel

#### Swivel

This is the caster in which both the revolving portion and a wheel rotate.



Fixed wheel

#### Fixed wheel

This is the caster in which only a wheel rotates.

### Icons for the mounting base



Plate Type

#### Plate Type

This type indicates a caster in which the mounting base is platy and a caster can be mounted using screws and bolts.



Screw-in Type

#### Screw-in Type

This type indicates a caster in which the stem is threaded and the caster is mounted by directly screwed.



Insertion type (rubber pipe type)

#### Insertion Type (Rubber Pipe Type)

This type indicates a caster in which a rubber pipe is mounted to a stem and a caster can be directly mounted to the pipe.



Angle Type

#### Angle Type

This type indicates a caster that can be easily mounted to the angle.

### Icons for a stopper



Equipped with a single stopper

#### Equipped with a single stopper

This type indicates that a stopper that stops rotation of a wheel is equipped.



Spirally fixing type

#### Spirally fixing type

This type indicates that a stopper that stops rotation of the revolving portion is equipped.

### Icons for the revolving portion



Single bearing

#### Single bearing

This type indicates a cost-effective caster in which a single thrust bearing is used for the revolving portion .



Double bearing

#### Double bearing

This type indicates a caster in which a double thrust bearing is used for the revolving portion .

### Other icons



Stainless steel

#### Stainless steel

This type indicates a caster having the bracket suitable for water supply system made of stainless steel.



Silence

#### Silence

This type indicates a caster, which is suitable for the environment requiring silence.



Equipped with shock absorber

#### Equipped with shock absorber

This type indicates a caster equipped with a shock absorber, which absorbs shock during traveling.



#### RoHS Compliant

It shows these casters that conform with RoHS (DIRECTIVE 2002/95/EC) .

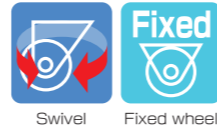














Equipped with a double stopper

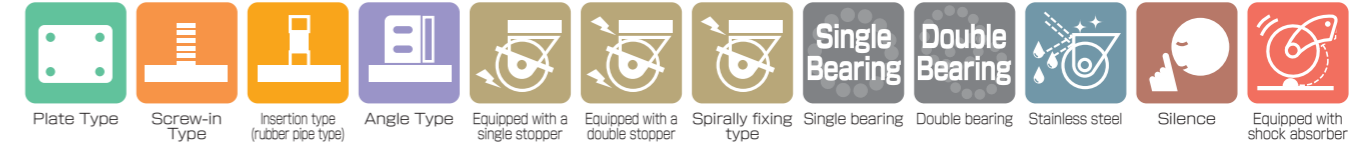
#### Equipped with a double stopper













This type indicates that a stopper that stops both rotation of a wheel and the revolving portion is equipped.

## 3. Outline of each Caster Series



<p><b>J series</b></p>  <p>P30 to 37</p>	<p>These series are mainly used for a platform carrier transporting a heavy articles and widely used for general industries.</p>  <p>Allowance load: 0 to 800 (daN), marked at 80 and 400</p> <p>Wheel diameter: 0 to 200 (mm), marked at 75 and 200</p>
<p><b>PM series</b></p>  <p>P38 to 41</p>	<p>These series are casters that are newly developed to support towing. In comparison with J series, these casters provide excellent life span, traveling performance and operability.</p>  <p>Allowance load: 0 to 800 (daN), marked at 180 and 400</p> <p>Wheel diameter: 0 to 200 (mm), marked at 130 and 200</p>
<p><b>J<sub>2</sub> series</b></p>  <p>P42 to 46</p>	<p>These are casters having standard size of roll box pallet that are widely used for a platform carrier, roll box pallet and other industries.</p>  <p>Allowance load: 0 to 800 (daN), marked at 150 and 180</p> <p>Wheel diameter: 0 to 200 (mm), marked at 130 and 150</p>
<p><b>RJ<sub>2</sub> series</b></p>  <p>P47 to 49</p>	<p>These are casters having standard size of roll box pallet that are widely used for a platform carrier, roll box pallet and other industries. These are casters that are light and provide excellent cost performance in comparison with J<sub>2</sub> series, which were realized by simplifying the structure of J<sub>2</sub> series.</p>  <p>Allowance load: 0 to 800 (daN), marked at 160</p> <p>Wheel diameter: 0 to 200 (mm), marked at 150</p>
<p><b>SJ series</b></p>  <p>P50 to 55</p>	<p>These series are mainly used for a platform carrier for transporting medium load and widely used for general industries.</p>  <p>Allowance load: 0 to 800 (daN), marked at 100 and 120</p> <p>Wheel diameter: 0 to 200 (mm), marked at 100 and 125</p>
<p><b>S series</b></p>  <p>P56 to 66</p>	<p>These series are mainly used for a platform carrier for transporting light load and widely used for general industries.</p>  <p>Allowance load: 0 to 800 (daN), marked at 40 and 80</p> <p>Wheel diameter: 0 to 200 (mm), marked at 50 and 100</p>



<p><b>E series</b></p>  <p>P67 to 73</p>	<p>These series are mainly used for a platform carrier for transporting light load and widely used for general industries, such as appliance and furniture.</p>  <p>Allowance load: 0 to 800 (daN), marked at 25 and 60</p> <p>Wheel diameter: 0 to 200 (mm), marked at 50 and 125</p>
<p><b>G series</b></p>  <p>P74 to 77</p>	<p>These series are mainly used for a platform carrier for transporting light load and widely used for general industries, such as appliance, furniture and copying machine.</p>  <p>Allowance load: 0 to 800 (daN), marked at 8 and 65</p> <p>Wheel diameter: 0 to 200 (mm), marked at 25 and 75</p>
<p><b>L series</b></p>  <p>P78 to 84</p>	<p>These series are mainly used for light load and widely used for general industries, such as appliance and furniture.</p>  <p>Allowance load: 0 to 800 (daN), marked at 20 and 50</p> <p>Wheel diameter: 0 to 200 (mm), marked at 40 and 75</p>
<p><b>SA series</b></p>  <p>P85 to 88</p>	<p>These casters have shapes specialized for mounting casters to the angle, which is used as the mounting base. A caster can be easily mounted on the angle using screws and bolts.</p>  <p>Allowance load: 0 to 800 (daN), marked at 30 and 90</p> <p>Wheel diameter: 0 to 200 (mm), marked at 50 and 100</p>
<p><b>H series</b></p>  <p>P89 to 97</p>	<p>These casters are low profile heavy duty casters that are widely used for heavy articles, such as large machinery and equipment.</p>  <p>Allowance load: 0 to 800 (daN), marked at 100 and 800</p> <p>Wheel diameter: 0 to 200 (mm), marked at 32 and 100</p>
<p><b>CAL-H series</b></p>  <p>P98 to 100</p>	<p>These casters are low profile heavy duty casters that are widely used for heavy articles, such as large machinery and equipment. Starting performance of rotation is improved by further lowering the profile of H series.</p>  <p>Allowance load: 0 to 800 (daN), marked at 300 and 700</p> <p>Wheel diameter: 0 to 200 (mm), marked at 50 and 75</p>

## 3. Outline of each Caster Series

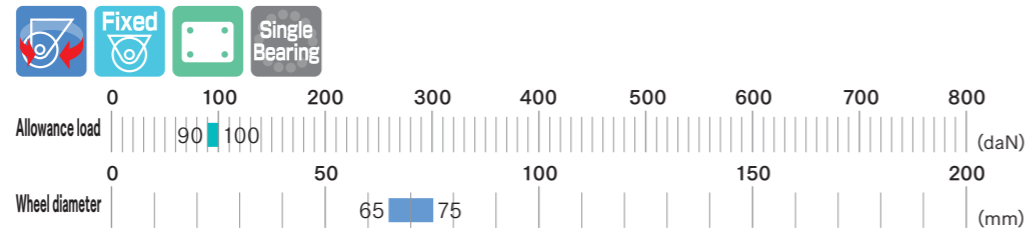


### M series



P101 and 102

Since the profile is low and wheel size is wide, these casters are stable and suitable for medium load.

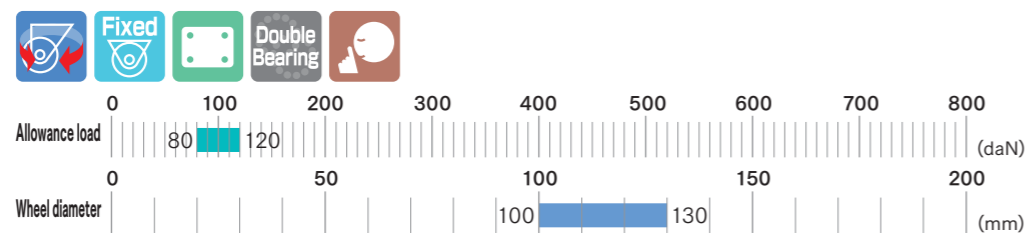


### PL series



P103 and 104

These casters are resin casters that reduce outbreak of noise that are generated during working.

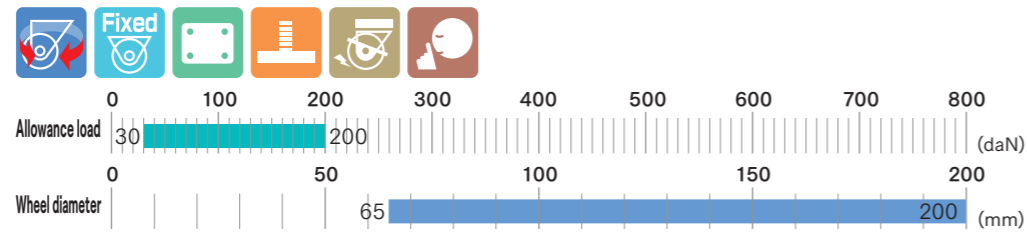


### Silence series



P105 to 113

These casters are widely used for a platform carrier in an environment where noise shall be reduced. These are casters in which a radial ball bearing is used on the bracket and wheel.

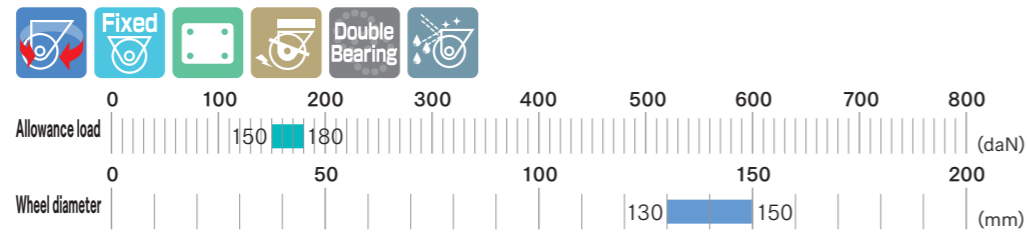


### SUS-J<sub>2</sub> series



P114 to 116

These are casters having standard size of a bucket truck that are widely used for a truck, box pallet and other industries. Since all brackets are made of stainless steel, these casters are suitable for water supply system.

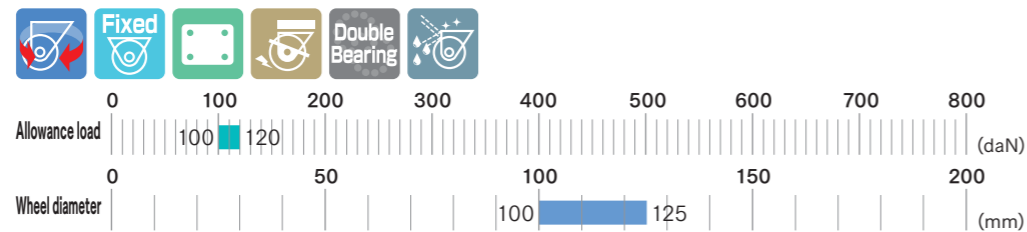


### SUS-SJ series



P117 to 119

These series are mainly used for a platform carrier for transporting medium load and widely used for general industries. Since all brackets are made of stainless steel, these casters are suitable for water supply system.

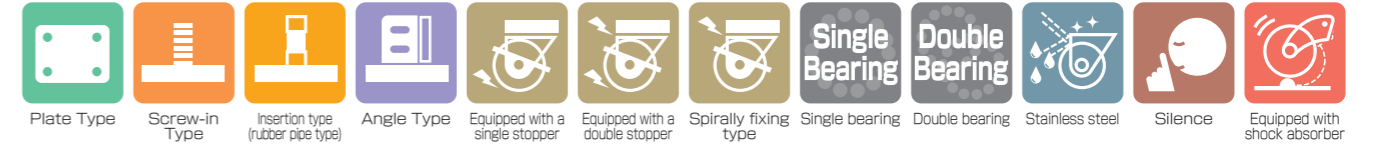
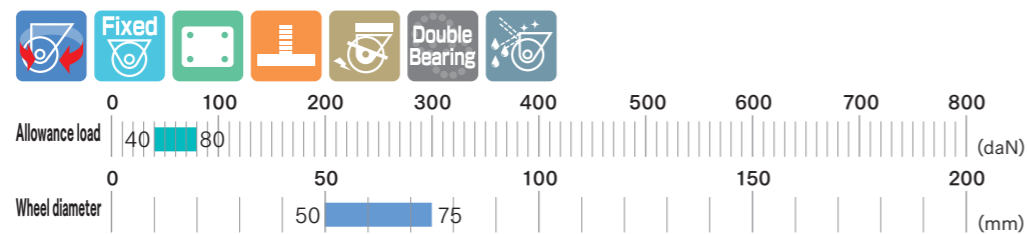


### SUS-S series



P120 to 124

These series are mainly used for a platform carrier for transporting light load and widely used for general industries. Since all brackets are made of stainless steel, these casters are suitable for water supply system.

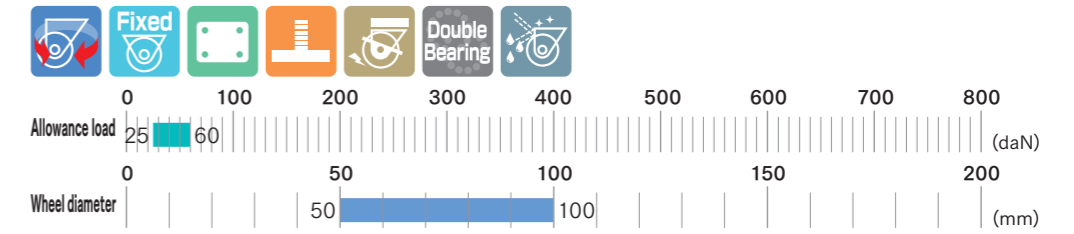


### SUS-E series



P125 to 129

These series are mainly used for a platform carrier for transporting light load and widely used for general industries, such as appliance. Since all brackets are made of stainless steel, these casters are suitable for water supply system.

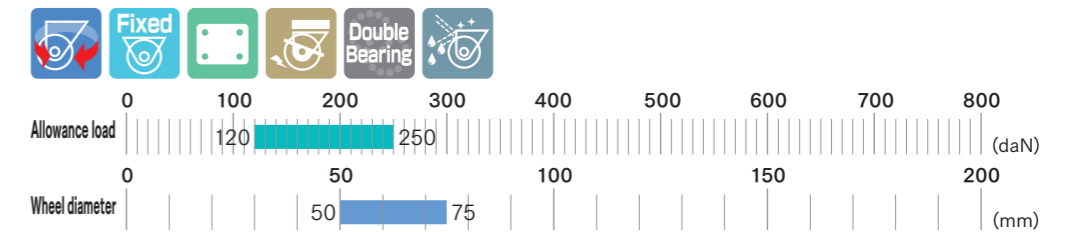


### SUS-H series



P130 to 133

These casters are low profile heavy duty casters that are widely used for heavy articles, such as large machinery and equipment. Since all brackets are made of stainless steel, these casters are suitable for water supply system.

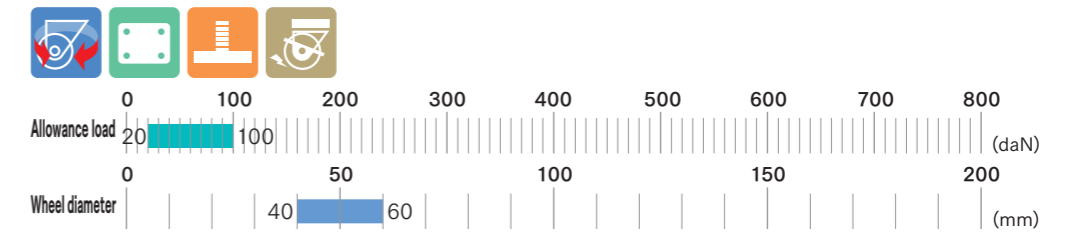


### P series



P134 to 137

These are casters that are widely used for furniture, appliance and copying machine, etc.

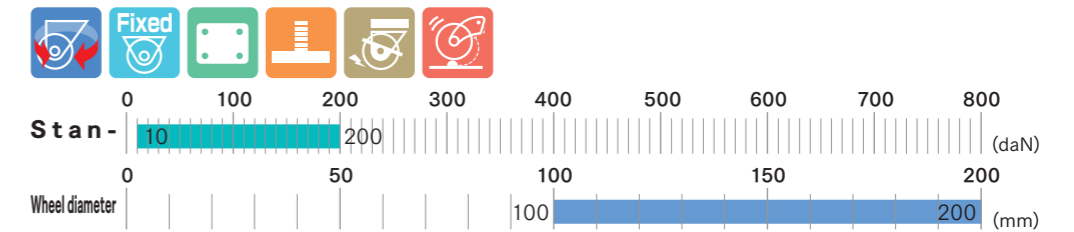


### SKY series



P138 to 144

These casters are equipped with a shock absorber providing excellent shock absorbing performance and quiet traveling performance. These casters are equipped with YUEI bumper in which a material based on viscoelastic material is used. Casters having wheel diameter of  $\phi$ 100 and 125 are suitable for transporting precision equipment and parts. Casters having wheel diameter of  $\phi$ 200 are suitable for towing.

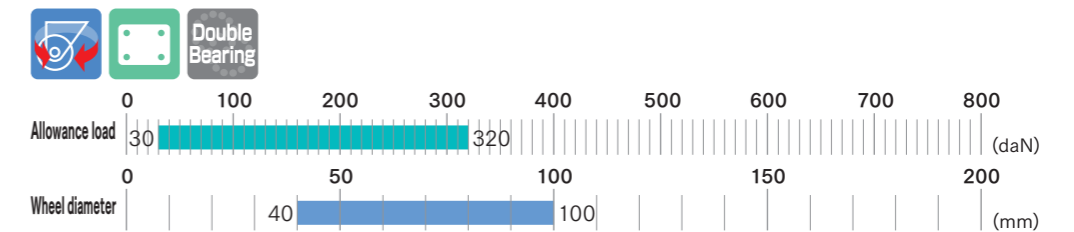


### Series equipped with adjuster feet



P145 to 148

These casters are widely used for transporting machinery and equipment, appliance and furniture, etc. Articles can be easily moved and casters can be firmly fixed using the adjuster.

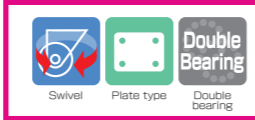


## 4. How to View Pages of Products

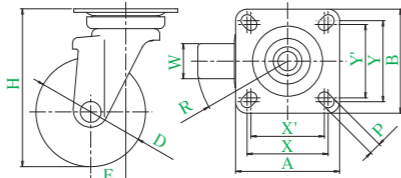
**JSERIES** These series are mainly used for a platform carrier transporting a heavy articles and widely used for general industries.

### JTYPE

These are descriptions for each product.



Specifications of products are described. \*Refer to P24 for descriptions of icons.



How to find a product number is described.

Bracket = Trivalent unichrome coating

This is description about the bracket.

Product number	Wheels	Wheel diameter	Wheel width	Mounting height	Mounting base	Mounting dimensions	Hole diameter	Eccentricity	Turning radius	Allowance load	Wheel weight
		D(mm)	W(mm)	H(mm)	A × B(mm)	X × Y(X' × Y') (mm)	P(mm)	E(mm)	R(mm)	daN(kgf)	(g)
J-75	Rubber wheel with steel plate wheel assembly (including B)	75	32	103	82 × 82	63 × 63	9.5	26	64	80(81.6)	580
	Urethane wheel with steel plate wheel assembly (including B)									120(122.4)	700
	Urethane wheel with nylon wheel assembly (including B)									100(102.0)	540
J-100	Rubber wheel with steel plate wheel assembly (including B)	100	32	144	95 × 95	74 × 74 (67 × 67)	11	32	82	120(122.4)	1090
	Urethane wheel with steel plate wheel assembly (including B)									100(102.0)	970
	Urethane wheel with nylon wheel assembly (including B)									180(183.6)	1170
J-130	Rubber wheel with steel plate wheel assembly (including B)	130	40	177	105 × 105	82 × 82 (75 × 75)	11	40	105	180(183.6)	1880
	Urethane wheel with steel plate wheel assembly (including B)									180(183.6)	1490
	Urethane wheel with nylon wheel assembly (including B)									250(255.0)	2030
J-150	Rubber wheel with steel plate wheel assembly (including B)	150	40	198	120 × 120	94 × 94 (87 × 87)	11	40	115	200(204.0)	2120
	Urethane wheel with steel plate wheel assembly (including B)									300(306.0)	2380
	Urethane wheel with nylon wheel assembly (including B)									200(204.0)	2040
J-200	Rubber wheel with steel plate wheel assembly (including B)	200	42	250	140 × 140	115 × 115 (105 × 105)	11.5	56	156	250(255.0)	3800
	Urethane wheel with steel plate wheel assembly (including B)									400(408.0)	3980
	Urethane wheel with nylon wheel assembly (including B)									250(255.0)	3290

- The axle diameter of the rubber wheel with nylon wheel assembly (including B) having wheel diameter of φ 130 and φ 150 is φ 12.
- The rubber wheel with conductive steel plate wheel assembly (including B) having wheel diameter of φ 100 and φ 150 can be manufactured.
- The urethane wheel with antistatic steel plate wheel assembly (including B) having wheel diameter of φ 100 to φ 200 can be manufactured.

Wheel in use Refer to P153 for detailed specifications.



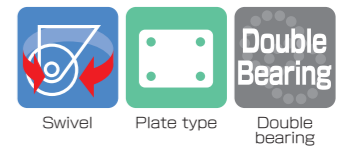
W Rubber wheel with steel plate wheel assembly (including B)  
NR Rubber wheel with nylon wheel assembly (including B)  
UW Urethane wheel with steel plate wheel assembly (including B)  
GU Urethane wheel with nylon wheel assembly (including B)

Different colors are used for each wheel.

These are descriptions regarding wheels used in products.

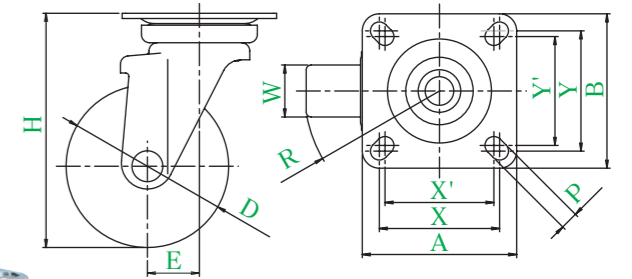
\* (including B) indicates wheels equipped with bearing.

### JTYPE



WJ-100

GUJ-75

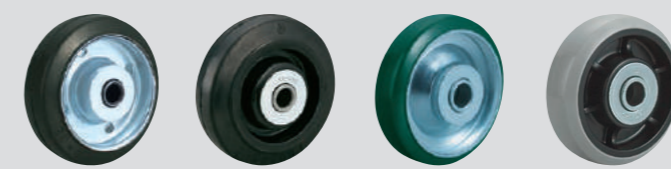


Bracket = Trivalent unichrome coating

Product number	Wheels	Wheel diameter	Wheel width	Mounting height	Mounting base	Mounting dimensions	Hole diameter	Eccentricity	Turning radius	Allowance load	Wheel weight
		D(mm)	W(mm)	H(mm)	A × B(mm)	X × Y(X' × Y') (mm)	P(mm)	E(mm)	R(mm)	daN(kgf)	(g)
J-75	Rubber wheel with steel plate wheel assembly (including B)	75	32	103	82 × 82	63 × 63	9.5	26	64	80(81.6)	580
	Urethane wheel with steel plate wheel assembly (including B)									120(122.4)	700
	Urethane wheel with nylon wheel assembly (including B)									100(102.0)	540
J-100	Rubber wheel with steel plate wheel assembly (including B)	100	32	144	95 × 95	74 × 74 (67 × 67)	11	32	82	120(122.4)	1090
	Urethane wheel with steel plate wheel assembly (including B)									100(102.0)	970
	Urethane wheel with nylon wheel assembly (including B)									180(183.6)	1170
J-130	Rubber wheel with steel plate wheel assembly (including B)	130	40	177	105 × 105	82 × 82 (75 × 75)	11	40	105	180(183.6)	1880
	Urethane wheel with steel plate wheel assembly (including B)									180(183.6)	1490
	Urethane wheel with nylon wheel assembly (including B)									250(255.0)	2030
J-150	Rubber wheel with steel plate wheel assembly (including B)	150	40	198	120 × 120	94 × 94 (87 × 87)	11	40	115	200(204.0)	2120
	Urethane wheel with steel plate wheel assembly (including B)									300(306.0)	2380
	Urethane wheel with nylon wheel assembly (including B)									200(204.0)	2040
J-200	Rubber wheel with steel plate wheel assembly (including B)	200	42	250	140 × 140	115 × 115 (105 × 105)	11.5	56	156	250(255.0)	3800
	Urethane wheel with steel plate wheel assembly (including B)									400(408.0)	3980
	Urethane wheel with nylon wheel assembly (including B)									250(255.0)	3290

- The axle diameter of the rubber wheel with nylon wheel assembly (including B) having wheel diameter of φ 130 and φ 150 is φ 12.
- The rubber wheel with conductive steel plate wheel assembly (including B) having wheel diameter of φ 100 and φ 150 can be manufactured.
- The urethane wheel with antistatic steel plate wheel assembly (including B) having wheel diameter of φ 100 to φ 200 can be manufactured.

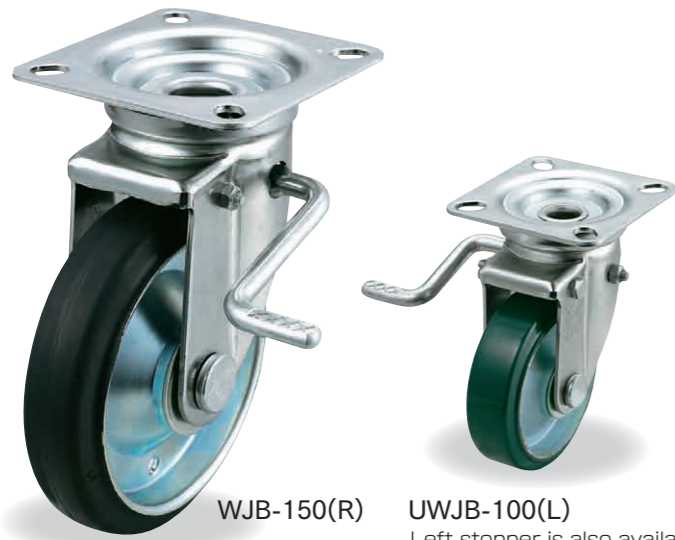
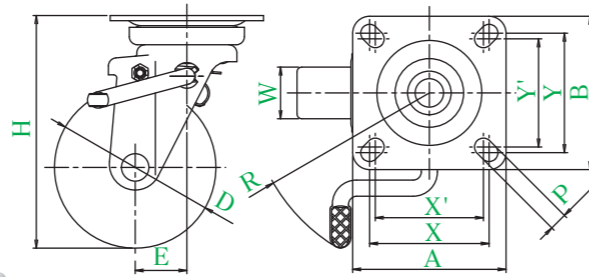
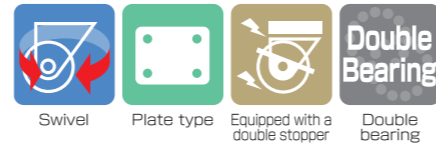
Wheel in use Refer to P153 for detailed specifications.



W Rubber wheel with steel plate wheel assembly (including B)  
NR Rubber wheel with nylon wheel assembly (including B)  
UW Urethane wheel with steel plate wheel assembly (including B)  
GU Urethane wheel with nylon wheel assembly (including B)

# JB TYPE

• Equipped with a lever type double stopper



WJB-150(R)

UWJB-100(L)

Left stopper is also available.  
(Wheel diameter: φ 100 to φ 200)

● Description of product number  
Please specify the right stopper (R) and the left stopper (L).

### UW J B - 100(R or L)

Wheel type	Equipped with a double stopper Bracket type	Wheel diameter	Lever type stopper	Right-Left
------------	---	----------------	--------------------	------------

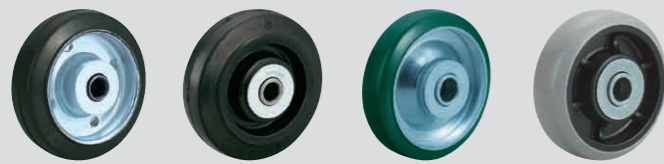
Bracket = Trivalent unichrome coating

Product number	Wheels	Wheel diameter	Wheel width	Mounting height	Mounting base	Mounting dimensions	Hole diameter	Eccentricity	Turning radius	Allowance load	Wheel weight
		D (mm)	W (mm)	H (mm)	A × B (mm)	X × Y (X' × Y') (mm)	P (mm)	E (mm)	R (mm)	daN(kgf)	(g)
JB-75 (R)	Rubber wheel with steel plate wheel assembly (including B)	75	32	103	82 × 82	63 × 63	9.5	26	84	80(81.6)	630
	Urethane wheel with steel plate wheel assembly (including B)									120(122.4)	750
	Urethane wheel with nylon wheel assembly (including B)									100(102.0)	490
JB-100 (R or L)	Rubber wheel with steel plate wheel assembly (including B)	100	32	144	95 × 95	74 × 74 (67 × 67)	11	32	112	120(122.4)	1240
	Rubber wheel with nylon wheel assembly (including B)									100(102.0)	1130
	Urethane wheel with steel plate wheel assembly (including B)									180(183.6)	1340
	Urethane wheel with nylon wheel assembly (including B)									100(102.0)	1140
	Rubber wheel with steel plate wheel assembly (including B)									180(183.6)	2300
	Rubber wheel with nylon wheel assembly (including B)										180(183.6)
JB-130 (R or L)	Rubber wheel with steel plate wheel assembly (including B)	130	40	177	105 × 105	82 × 82 (75 × 75)	11	40	133	180(183.6)	2200
	Rubber wheel with nylon wheel assembly (including B)		35							250(255.0)	2200
	Urethane wheel with steel plate wheel assembly (including B)		40							180(183.6)	1915
	Urethane wheel with nylon wheel assembly (including B)									200(204.0)	2600
	Rubber wheel with steel plate wheel assembly (including B)		200(204.0)							2600	
	Rubber wheel with nylon wheel assembly (including B)									200(204.0)	1850
JB-150 (R or L)	Rubber wheel with steel plate wheel assembly (including B)	150	40	198	120 × 120	94 × 94 (87 × 87)	11	40	133	200(204.0)	2550
	Rubber wheel with nylon wheel assembly (including B)		38							300(306.0)	2550
	Urethane wheel with steel plate wheel assembly (including B)		40							200(204.0)	2210
	Urethane wheel with nylon wheel assembly (including B)									250(255.0)	4000
	Rubber wheel with steel plate wheel assembly (including B)		250(255.0)							4000	
	Rubber wheel with nylon wheel assembly (including B)									250(255.0)	4150
JB-200 (R or L)	Rubber wheel with steel plate wheel assembly (including B)	200	43	250	140 × 140	115 × 115 (105 × 105)	11.5	56	156	400(408.0)	4150
	Urethane wheel with steel plate wheel assembly (including B)		42							300(306.0)	2670
	Urethane wheel with nylon wheel assembly (including B)		43							200(204.0)	2330

- This caster is equipped with the double stopper that can lock turning of the mounting portion and wheel.
- The axle diameter of the rubber wheel with nylon wheel assembly (including B) having wheel diameter of φ 130 and φ 150 is φ 12.
- The rubber wheel with conductive steel plate wheel assembly (including B) having wheel diameter of φ 100 and φ 150 can be manufactured.
- The urethane wheel with antistatic steel wheel plate assembly (including B) having wheel diameter of φ 100 to φ 200 can be manufactured.
- The left stopper is not stocked.

### Wheel in use

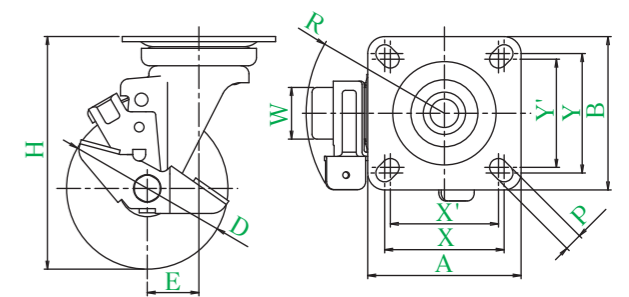
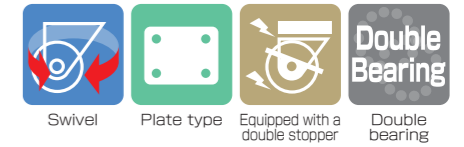
Refer to P153 for detailed specifications.



W Rubber wheel with steel plate wheel assembly (including B)  
NR Rubber wheel with nylon wheel assembly (including B)  
UW Urethane wheel with steel plate wheel assembly (including B)  
GU Urethane wheel with nylon wheel assembly (including B)

# JB TYPE

• Equipped with a pedal type double stopper



GUJB-100

● Description of product number

### GU J B - 100

Wheel diameter	Equipped with a double stopper Bracket type	Wheel type
----------------	---	------------

Bracket = Trivalent unichrome coating

Product number	Wheels	Wheel diameter	Wheel width	Mounting height	Mounting base	Mounting dimensions	Hole diameter	Eccentricity	Turning radius	Allowance load	Wheel weight
		D (mm)	W (mm)	H (mm)	A × B (mm)	X × Y (X' × Y') (mm)	P (mm)	E (mm)	R (mm)	daN(kgf)	(g)
JB-100	Rubber wheel with steel plate wheel assembly (including B)	100	32	144	95 × 95	74 × 74 (67 × 67)	11	32	86	120(122.4)	1220
	Rubber wheel with nylon wheel assembly (including B)									100(102.0)	1120
	Urethane wheel with steel plate wheel assembly (including B)									180(183.6)	1320
JB-130	Urethane wheel with nylon wheel assembly (including B)	130	35	177	105 × 105	82 × 82 (75 × 75)	11	40	108	100(102.0)	1120
	Rubber wheel with steel plate wheel assembly (including B)									180(183.6)	2180
	Rubber wheel with nylon wheel assembly (including B)									180(183.6)	1780
	Urethane wheel with steel plate wheel assembly (including B)									250(255.0)	2320
	Urethane wheel with nylon wheel assembly (including B)									180(183.6)	2035
	Rubber wheel with steel plate wheel assembly (including B)									200(204.0)	2420
Rubber wheel with nylon wheel assembly (including B)	200(204.0)	1970									
JB-150	Rubber wheel with steel plate wheel assembly (including B)	150	38	198	120 × 120	94 × 94 (87 × 87)	11	40	115	200(204.0)	2420
	Rubber wheel with nylon wheel assembly (including B)									200(204.0)	1970
	Urethane wheel with steel plate wheel assembly (including B)									300(306.0)	2670
	Urethane wheel with nylon wheel assembly (including B)									200(204.0)	2330

- This caster is equipped with the double stopper that can lock turning of the mounting portion and wheel.
- The axle diameter of the rubber wheel with nylon wheel assembly (including B) having wheel diameter of φ 130 and φ 150 is φ 12.
- The rubber wheel with conductive steel plate wheel assembly (including B) having wheel diameter of φ 100 and φ 150 can be manufactured.
- The urethane wheel with antistatic steel wheel plate assembly (including B) having wheel diameter of φ 100 to φ 200 can be manufactured.

☆ Utility Model No.2607715

### Wheel in use

Refer to P153 for detailed specifications.



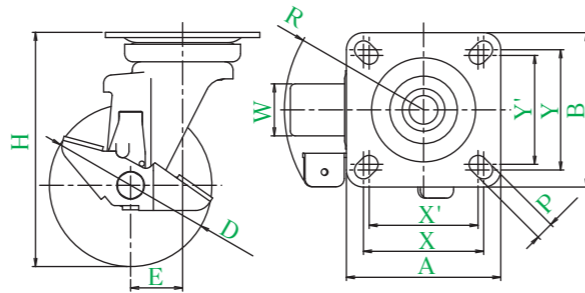
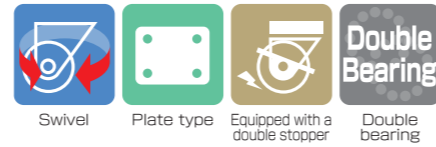
W Rubber wheel with steel plate wheel assembly (including B)  
NR Rubber wheel with nylon wheel assembly (including B)  
UW Urethane wheel with steel plate wheel assembly (including B)  
GU Urethane wheel with nylon wheel assembly (including B)

# J-S TYPE

• Equipped with a pedal type single stopper



UWJ-100S



● Description of product number

### UW J - 100 S

Wheel type	Bracket type	Wheel diameter	Equipped with a single stopper
------------	--------------	----------------	--------------------------------

Bracket = Trivalent unichrome coating

Product number	Wheels	Wheel diameter	Wheel width	Mounting height	Mounting base	Mounting dimensions	Hole diameter	Eccentricity	Turning radius	Allowance load	Wheel weight
		D(mm)	W(mm)	H(mm)	A × B(mm)	X × Y(X' × Y') (mm)	P(mm)	E(mm)	R(mm)	daN(kgf)	(g)
W NR UW GU J-100 S	Rubber wheel with steel plate wheel assembly (including B)	100	32	144	95 × 95	74 × 74 (67 × 67)	11	32	86	120(122.4)	1180
	Rubber wheel with nylon wheel assembly (including B)									100(102.0)	1070
	Urethane wheel with steel plate wheel assembly (including B)									100(102.0)	1330
	Urethane wheel with nylon wheel assembly (including B)									100(102.0)	1080
W NR UW GU J-130 S	Rubber wheel with steel plate wheel assembly (including B)	130	40	177	105 × 105	82 × 82 (75 × 75)	11	40	108	180(183.6)	2080
	Rubber wheel with nylon wheel assembly (including B)		35							180(183.6)	1700
	Urethane wheel with steel plate wheel assembly (including B)		40							250(255.0)	2240
	Urethane wheel with nylon wheel assembly (including B)		40							180(183.6)	1955
W NR UW GU J-150 S	Rubber wheel with steel plate wheel assembly (including B)	150	40	198	120 × 120	94 × 94 (87 × 87)	11	40	115	200(204.0)	2340
	Rubber wheel with nylon wheel assembly (including B)		38							200(204.0)	1890
	Urethane wheel with steel plate wheel assembly (including B)		40							300(306.0)	2590
	Urethane wheel with nylon wheel assembly (including B)		40							200(204.0)	2250
W UW GU J-200 S	Rubber wheel with steel plate wheel assembly (including B)	200	43	250	140 × 140	115 × 115 (105 × 105)	11.5	56	156	250(255.0)	4180
	Urethane wheel with steel plate wheel assembly (including B)		42							400(408.0)	4320
	Urethane wheel with nylon wheel assembly (including B)		43							250(255.0)	3630

- These casters are used for only locking rotation of the wheel.
- The axle diameter of the rubber wheel with nylon wheel assembly (including B) having wheel diameter of φ 130 and φ 150 is φ 12.
- The rubber wheel with conductive steel plate wheel assembly (including B) having wheel diameter of φ 100 and φ 150 can be manufactured.
- The urethane wheel with antistatic steel wheel plate assembly (including B) having wheel diameter of φ 100 to φ 200 can be manufactured.

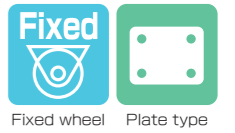
### Wheel in use

Refer to P153 for detailed specifications.

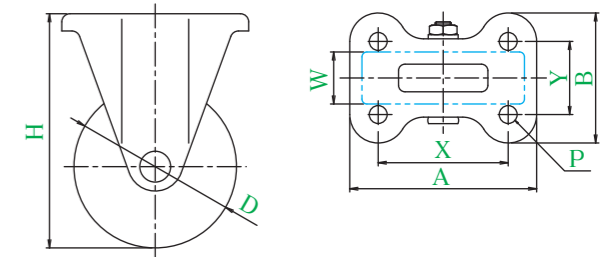


W Rubber wheel with steel plate wheel assembly (including B)  
NR Rubber wheel with nylon wheel assembly (including B)  
UW Urethane wheel with steel plate wheel assembly (including B)  
GU Urethane wheel with nylon wheel assembly (including B)

# K TYPE



UWK-150



● Description of product number

### UW K - 150

Wheel type	Bracket type	Wheel diameter
------------	--------------	----------------

Bracket = Trivalent unichrome coating

Product number	Wheels	Wheel diameter	Wheel width	Mounting height	Mounting base	Mounting dimensions	Hole diameter	Allowance load	Wheel weight
		D(mm)	W(mm)	H(mm)	A × B(mm)	X × Y(mm)	P(mm)	daN(kgf)	(g)
W UW GU K-75	Rubber wheel with steel plate wheel assembly (including B)	75	32	103	95 × 72	63 × 40	9.5	80(81.6)	430
	Urethane wheel with steel plate wheel assembly (including B)							120(122.4)	540
	Urethane wheel with nylon wheel assembly (including B)							100(102.0)	390
W NR UW GU K-100	Rubber wheel with steel plate wheel assembly (including B)	100	32	144	115 × 80	80 × 45	11	120(122.4)	700
	Rubber wheel with nylon wheel assembly (including B)							100(102.0)	770
	Urethane wheel with steel plate wheel assembly (including B)							180(183.6)	930
W NR UW GU K-130	Rubber wheel with steel plate wheel assembly (including B)	130	40	177	137 × 93	100 × 56	11	180(183.6)	1490
	Rubber wheel with nylon wheel assembly (including B)		35					180(183.6)	1090
	Urethane wheel with steel plate wheel assembly (including B)		40					250(255.0)	1630
W NR UW GU K-150	Rubber wheel with steel plate wheel assembly (including B)	150	40	198	137 × 93	100 × 56	11	180(183.6)	1345
	Rubber wheel with nylon wheel assembly (including B)		38					200(204.0)	1650
	Urethane wheel with steel plate wheel assembly (including B)		40					300(306.0)	1910
W UW GU K-200	Rubber wheel with steel plate wheel assembly (including B)	200	43	250	151 × 102	112 × 63	11.5	250(255.0)	3060
	Urethane wheel with steel plate wheel assembly (including B)		42					400(408.0)	3230
	Urethane wheel with nylon wheel assembly (including B)		43					250(255.0)	2540

- The axle diameter of the rubber wheel with nylon wheel assembly (including B) having wheel diameter of φ 130 and φ 150 is φ 12.
- The rubber wheel with conductive steel plate wheel assembly (including B) having wheel diameter of φ 100 and φ 150 can be manufactured.
- The urethane wheel with antistatic steel wheel plate assembly (including B) having wheel diameter of φ 100 to φ 200 can be manufactured.

### Wheel in use

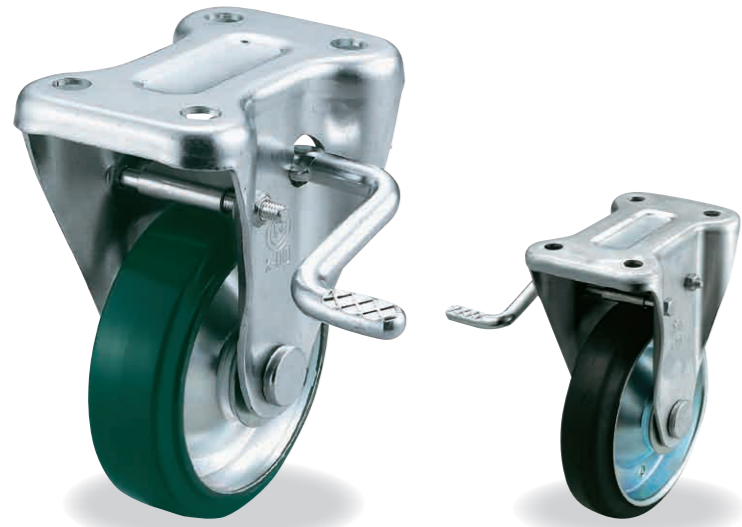
Refer to P153 for detailed specifications.



W Rubber wheel with steel plate wheel assembly (including B)  
NR Rubber wheel with nylon wheel assembly (including B)  
UW Urethane wheel with steel plate wheel assembly (including B)  
GU Urethane wheel with nylon wheel assembly (including B)

# KB TYPE

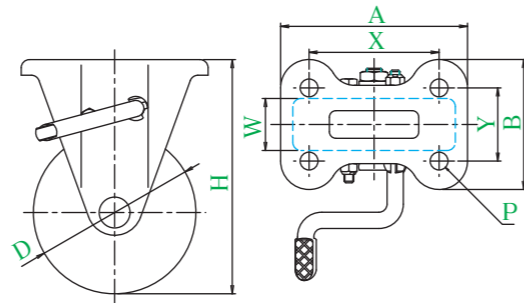
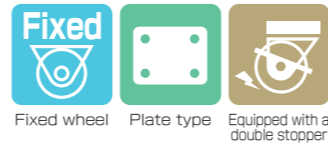
• Equipped with a lever type single stopper



UWKB-100(R)

WKB-150(L)

Left stopper is also available.



● Description of product number  
Please specify the right stopper (R) and the left stopper (L).

### UW K B - 150(R or L)

Wheel type  
Bracket type  
Equipped with a single stopper  
Wheel diameter  
Lever type stopper  
Right-Left

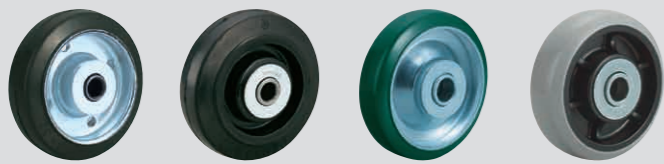
Bracket = Trivalent unichrome coating

Product number	Wheels	Wheel diameter	Wheel width	Mounting height	Mounting base	Mounting dimensions	Hole diameter	Allowance load	Wheel weight
		D(mm)	W(mm)	H(mm)	A × B(mm)	X × Y(mm)	P(mm)	daN(kgf)	(g)
KB-100 (R or L)	Rubber wheel with steel plate wheel assembly (including B)	100	32	144	115 × 80	80 × 45	11	120(122.4)	980
	Rubber wheel with nylon wheel assembly (including B)							100(102.0)	880
	Urethane wheel with steel plate wheel assembly (including B)							180(183.6)	1060
	Urethane wheel with nylon wheel assembly (including B)							100(102.0)	890
KB-130 (R or L)	Rubber wheel with steel plate wheel assembly (including B)	130	40	177	137 × 93	100 × 56	11	180(183.6)	1660
	Rubber wheel with nylon wheel assembly (including B)		35					1260	
	Urethane wheel with steel plate wheel assembly (including B)		40					1800	
	Urethane wheel with nylon wheel assembly (including B)		40					1515	
KB-150 (R or L)	Rubber wheel with steel plate wheel assembly (including B)	150	40	198	137 × 93	100 × 56	11	200(204.0)	1820
	Rubber wheel with nylon wheel assembly (including B)		38					1390	
	Urethane wheel with steel plate wheel assembly (including B)		40					2090	
	Urethane wheel with nylon wheel assembly (including B)		40					1750	
KB-200 (R or L)	Rubber wheel with steel plate wheel assembly (including B)	200	43	250	151 × 102	112 × 63	11.5	250(255.0)	3260
	Urethane wheel with steel plate wheel assembly (including B)		42					3400	
	Urethane wheel with nylon wheel assembly (including B)		43					2710	

- These casters are used for only locking rotation of the wheel.
- The axle diameter of the rubber wheel with nylon wheel assembly (including B) having wheel diameter of φ 130 and φ 150 is φ 12.
- The rubber wheel with conductive steel plate wheel assembly (including B) having wheel diameter of φ 100 and φ 150 can be manufactured.
- The urethane wheel with antistatic steel wheel plate assembly (including B) having wheel diameter of φ 100 to φ 200 can be manufactured.
- The left stopper is not stocked.

### Wheel in use

Refer to P153 for detailed specifications.



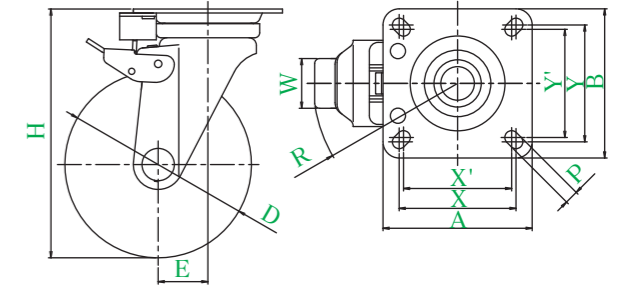
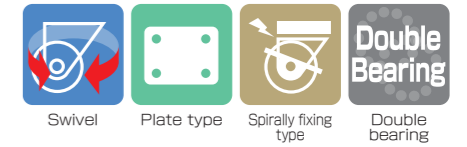
W Rubber wheel with steel plate wheel assembly (including B)  
NR Rubber wheel with nylon wheel assembly (including B)  
UW Urethane wheel with steel plate wheel assembly (including B)  
GU Urethane wheel with nylon wheel assembly (including B)

# JK TYPE

• Spirally fixing type



WJK-150



● Description of product number

### UW JK - 150

Wheel type  
Bracket type  
Wheel diameter

Bracket = Trivalent unichrome coating

Product number	Wheels	Wheel diameter	Wheel width	Mounting height	Mounting base	Mounting dimensions	Hole diameter	Eccentricity	Turning radius	Allowance load	Wheel weight
		D(mm)	W(mm)	H(mm)	A × B(mm)	X × Y(X' × Y') (mm)	P(mm)	E(mm)	R(mm)	daN(kgf)	(g)
JK-150	Rubber wheel with steel plate wheel assembly (including B)	150	40	198	120 × 120	94 × 94 (87 × 87)	11	40	115	200(204.0)	2320
	Rubber wheel with nylon wheel assembly (including B)									200(204.0)	1865
	Urethane wheel with steel plate wheel assembly (including B)									300(306.0)	2570
	Urethane wheel with nylon wheel assembly (including B)									200(204.0)	2040

- Swivel and fixed wheel can be switched with one touch operation.
- The axle diameter of the rubber wheel with nylon wheel assembly (including B) is φ 12.
- The rubber wheel with conductive steel plate wheel assembly (including B) and the urethane wheel with antistatic steel plate wheel assembly (including B) can be manufactured.

☆ Utility Model No.3014588

### Wheel in use

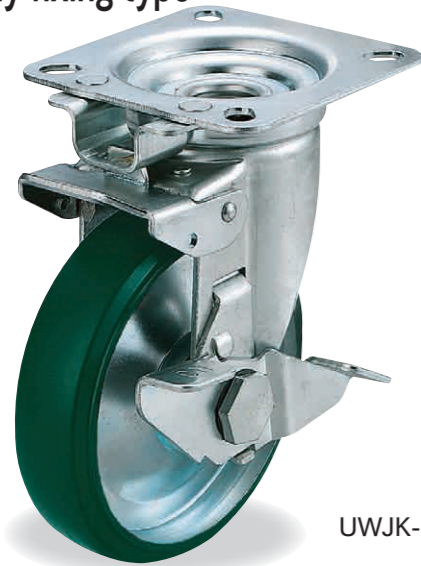
Refer to P153 for detailed specifications.



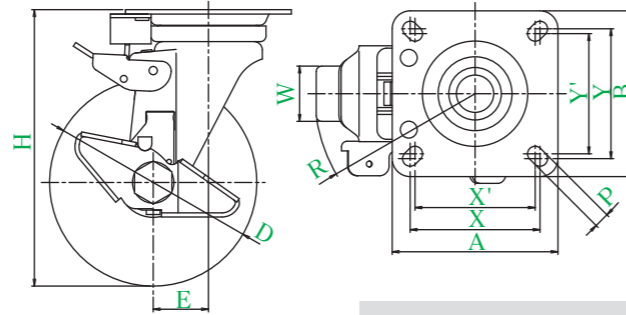
W Rubber wheel with steel plate wheel assembly (including B)  
NR Rubber wheel with nylon wheel assembly (including B)  
UW Urethane wheel with steel plate wheel assembly (including B)  
GU Urethane wheel with nylon wheel assembly (including B)

# JK-S TYPE

- Equipped with a pedal type single stopper
- Spirally fixing type



UWJK-150S



● Description of product number  
**UW JK - 150 S**

Wheel type	Bracket type	Wheel diameter	Equipped with a single stopper
------------	--------------	----------------	--------------------------------

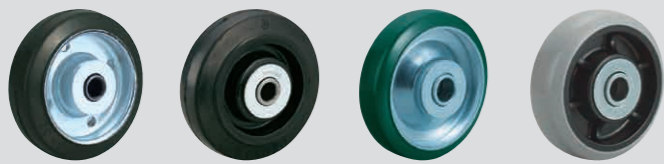
Bracket = Trivalent unichrome coating

Product number	Wheels	Wheel diameter	Wheel width	Mounting height	Mounting base	Mounting dimensions	Hole diameter	Eccentricity	Turning radius	Allowance load	Wheel weight
		D(mm)	W(mm)	H(mm)	A × B(mm)	X × Y(X' × Y') (mm)	P(mm)	E(mm)	R(mm)	daN(kgf)	(g)
JK-150 S	W Rubber wheel with steel plate wheel assembly (including B)	150	40	198	120 × 120	94 × 94 (87 × 87)	11	40	115	200(204.0)	2510
	NR Rubber wheel with nylon wheel assembly (including B)		38							200(204.0)	2015
	UW Urethane wheel with steel plate wheel assembly (including B)		40							300(306.0)	2780
	GU Urethane wheel with nylon wheel assembly (including B)		40							200(204.0)	2190

- This is a caster manufactured by providing the wheel lock function to JK type. Each caster can be used independently.
- Swivel and fixed wheel can be switched with one touch operation.
- The wheel diameter of the rubber wheel with nylon wheel assembly (including B) is φ 12.
- The rubber wheel with conductive steel plate wheel assembly (including B) and the urethane wheel with antistatic steel plate wheel assembly (including B) can be manufactured.

☆ Utility Model No.3014588

**Wheel in use** Refer to P153 for detailed specifications.



W Rubber wheel with steel plate wheel assembly (including B)  
 NR Rubber wheel with nylon wheel assembly (including B)  
 UW Urethane wheel with steel plate wheel assembly (including B)  
 GU Urethane wheel with nylon wheel assembly (including B)

## ■ New industrial casters

# PM SERIES

## This is a new caster suitable for towing!

**Point 1 Long life**  
 Realizing life more than 3 times longer than that of conventional products

In comparison with our general casters, traveling distance of J series casters is more than 3 times longer than that of general casters. Since life span of the caster is long, running cost is significantly reduced.

**Point 2 Stable traveling performance**  
 Preventing resonance (vibration of casters) during towing!!

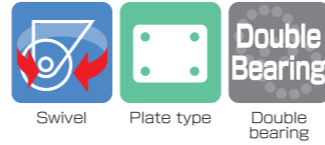
Resonance that occurs while towing and significantly reduces life of casters is prevented. Impact on the revolving portion caused by resonance is reduced, and wear of wheels is significantly reduced.

**Point 3 Easy operability**  
 Load during turning is reduced for approximately 40%!!

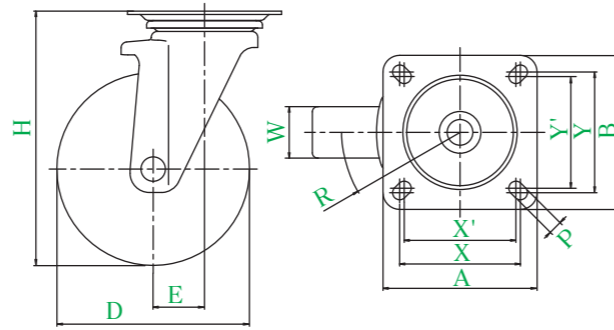
When the caster is rotating, maximum load is applied when operating a truck. For PM series, load during towing is reduced for approximately 40% compared with conventional items.



# PMS TYPE



PMS-150AW



● Description of product number  
**PMS - 150 AW**  
 Bracket type      Wheel diameter      Wheel type

Bracket = Trivalent unichrome coating

Product number	Wheels	Wheel diameter	Wheel width	Mounting height	Mounting base	Mounting dimensions	Hole diameter	Eccentricity	Turning radius	Allowance load	Wheel weight
		D(mm)	W(mm)	H(mm)	A × B(mm)	X × Y (X' × Y') (mm)	P(mm)	E(mm)	R(mm)	daN(kgf)	(g)
PMS-130	WB	130	40	177	110 × 110	90 × 90 (80 × 80)	11	40	105	180(183.6)	1640
	UWB		35							250(255.0)	2020
PMS-150	WB	150	40	198	120 × 120	94 × 94 (87 × 87)	11	40	115	200(204.0)	1880
	AW		42							250(255.0)	2000
	UWB		38							300(306.0)	2350
PMS-200	WB	200	43	250	144 × 144	120 × 120 (105 × 105)	11.5	56	156	250(255.0)	3775
	AW		45							300(306.0)	3800
	UWB		42							400(408.0)	3855

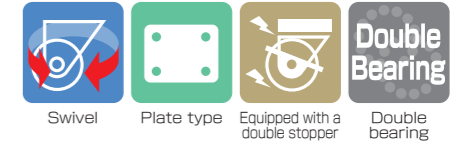
● For casters having wheel diameter of φ 150 and rubber wheel with steel plate wheel assembly (including B), wide wheel can be manufactured.  
 \* Refer to P154 for detailed specifications.

**Wheel in use** Refer to P153 for detailed specifications.



WB Rubber wheel with steel plate wheel assembly (including B)  
 AW Rubber wheel with aluminum wheel assembly (including B)  
 UWB Urethane wheel with steel plate wheel assembly (including B)

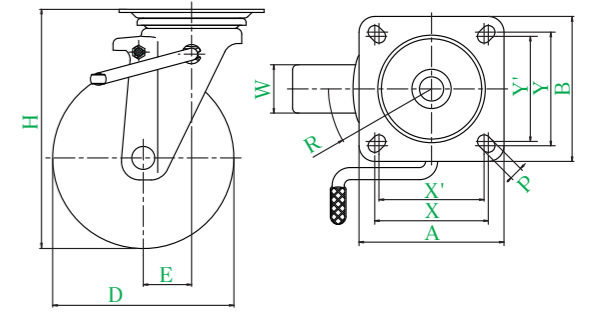
# PMS-LB TYPE



● Equipped with a lever type double stopper



PMS-150WBLB(R)



● Description of product number  
**PMS - 150 WB LB(R)**  
 Bracket type      Wheel diameter      Wheel type      Stopper      Right-L

Bracket = Trivalent unichrome coating

Product number	Wheels	Wheel diameter	Wheel width	Mounting height	Mounting base	Mounting dimensions	Hole diameter	Eccentricity	Turning radius	Allowance load	Wheel weight
		D(mm)	W(mm)	H(mm)	A × B(mm)	X × Y (X' × Y') (mm)	P(mm)	E(mm)	R(mm)	daN(kgf)	(g)
PMS-130	WB	130	40	177	110 × 110	90 × 90 (80 × 80)	11	40	138	180(183.6)	1870
	UWB		35							250(255.0)	2250
PMS-150	WB	150	40	198	120 × 120	94 × 94 (87 × 87)	11	40	138	200(204.0)	2110
	AW		42							250(255.0)	2230
	UWB		38							300(306.0)	2580
PMS-200	WB	200	43	250	144 × 144	120 × 120 (105 × 105)	11.5	56	156	250(255.0)	4025
	AW		45							300(306.0)	4050
	UWB		42							400(408.0)	4105

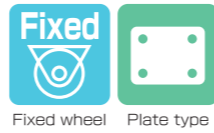
● This caster is equipped with the double stopper that can lock turning of the mounting portion and wheel.  
 ● For casters having wheel diameter of φ 150 and rubber wheel with steel plate wheel assembly (including B), wide wheel can be manufactured.  
 \* Refer to P154 for detailed specifications.

**Wheel in use** Refer to P153 for detailed specifications.

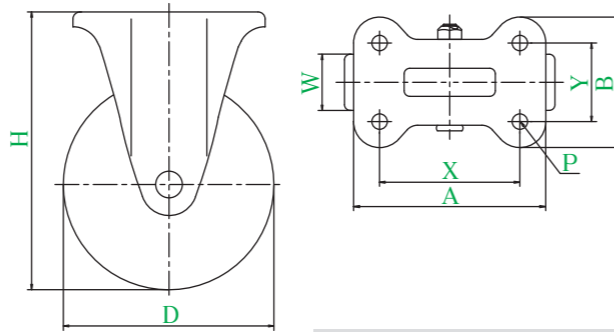


WB Rubber wheel with steel plate wheel assembly (including B)  
 AW Rubber wheel with aluminum wheel assembly (including B)  
 UWB Urethane wheel with steel plate wheel assembly (including B)

## PMR TYPE



PMR-150UWB



● Description of product number  
**PMR - 150 UWB**  
 Bracket type  
 Wheel diameter  
 Wheel type

Bracket = Trivalent unichrome coating

Product number	Wheels	Wheel diameter	Wheel width	Mounting height	Mounting base	Mounting dimensions	Hole diameter	Allowance load	Wheel weight
		D(mm)	W(mm)	H(mm)	A × B(mm)	X × Y(mm)	P(mm)	daN(kgf)	(g)
PMR-130	WB	130	40	177	137 × 93	100 × 56	11	180(183.6)	1260
	UWB		35					250(255.0)	1650
PMR-150	WB	150	40	198	137 × 93	100 × 56	11	200(204.0)	1480
	AW		42					250(255.0)	1600
PMR-200	UWB	200	38	250	151 × 102	112 × 63	11.5	300(306.0)	1950
	WB		43					250(255.0)	3150
	AW		45					300(306.0)	3170
	UWB		42					400(408.0)	3230

● For casters having wheel diameter of φ 150 and rubber wheel with steel plate wheel assembly (including B), wide wheel can be manufactured.  
 \* Refer to P154 for detailed specifications.

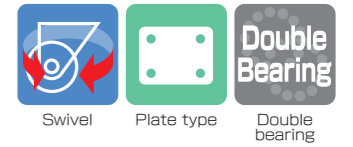
### Wheel in use

Refer to P153 for detailed specifications.

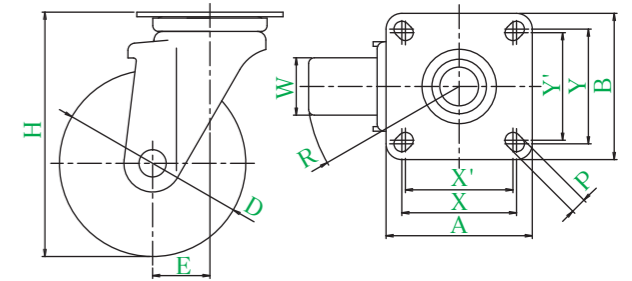


WB Rubber wheel with steel plate wheel assembly (including B)  
 AW Rubber wheel with aluminum wheel assembly (including B)  
 UWB Urethane wheel with steel plate wheel assembly (including B)

## J<sub>2</sub> TYPE



GUJ<sub>2</sub>-150



● Description of product number  
**GU J<sub>2</sub> - 150**  
 Wheel diameter  
 Bracket type  
 Wheel type

Bracket = Trivalent unichrome coating

Product number	Wheels	Wheel diameter	Wheel width	Mounting height	Mounting base	Mounting dimensions	Hole diameter	Eccentricity	Turning radius	Allowance load	Wheel weight
		D(mm)	W(mm)	H(mm)	A × B(mm)	X × Y(X' × Y') (mm)	P(mm)	E(mm)	R(mm)	daN(kgf)	(g)
W NR N GU	J <sub>2</sub> -130	130	40	170	102 × 102	80 × 80 (75 × 75)	11	40	105	160(163.2)	1600
										160(163.2)	1430
										150(153.0)	1395
										160(163.2)	1465
W NR N GU	J <sub>2</sub> -150	150	40	190	102 × 102	80 × 80 (75 × 75)	11	40	115	180(183.6)	1760
										180(183.6)	1550
										160(163.2)	1470
										180(183.6)	1510

● The rubber wheel with conductive steel plate wheel assembly (including B) having wheel diameter of φ 150 can be manufactured.

### Wheel in use

Refer to P154 for detailed specifications.



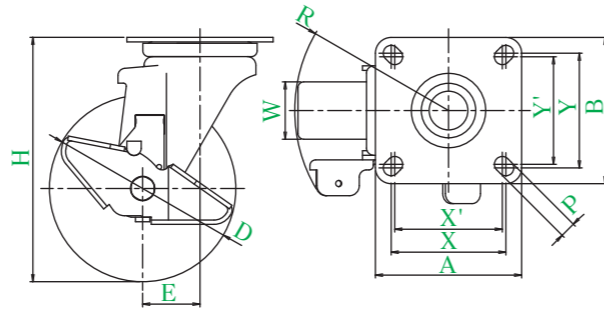
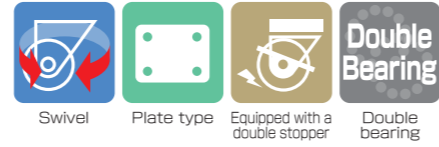
W Rubber wheel with steel plate wheel assembly (including B)  
 NR Rubber wheel with nylon wheel assembly (including B)  
 N Nylon wheel (including B)  
 GU Urethane wheel with nylon wheel assembly (including B)

## J<sub>2</sub>-S TYPE

• Equipped with a pedal type single stopper



WJ2-150S



● Description of product number

**W J<sub>2</sub> - 150 S**

Wheel diameter  
Bracket type  
Equipped with stopper

Bracket = Trivalent unichrome coating

Product number	Wheels	Wheel diameter	Wheel width	Mounting height	Mounting base	Mounting dimensions	Hole diameter	Eccentricity	Turning radius	Allowance load	Wheel weight
		D(mm)	W(mm)	H(mm)	A × B(mm)	X × Y(X' × Y') (mm)	P(mm)	E(mm)	R(mm)	daN(kgf)	(g)
W NR N GU J <sub>2</sub> -130 S	Rubber wheel with steel plate wheel assembly (including B)	130	40	170	102 × 102	80 × 80 (75 × 75)	11	40	108	160(163.2)	1800
	Rubber wheel with nylon wheel assembly (including B)									160(163.2)	1630
	Nylon wheel (including B)									150(153.0)	1595
	Urethane wheel with nylon wheel assembly (including B)									160(163.2)	1665
W NR N GU J <sub>2</sub> -150 S	Rubber wheel with steel plate wheel assembly (including B)	150	40	190	102 × 102	80 × 80 (75 × 75)	11	40	115	180(183.6)	1950
	Rubber wheel with nylon wheel assembly (including B)									180(183.6)	1740
	Nylon wheel (including B)									160(163.2)	1660
	Urethane wheel with nylon wheel assembly (including B)									180(183.6)	1700

- These casters are used for only locking rotation of the wheel.
- The rubber wheel with conductive steel plate wheel assembly (including B) having wheel diameter of φ 150 can be manufactured.

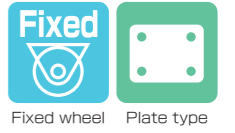
### Wheel in use

Refer to P154 for detailed specifications.



W Rubber wheel with steel plate wheel assembly (including B)  
NR Rubber wheel with nylon wheel assembly (including B)  
N Nylon wheel (including B)  
GU Urethane wheel with nylon wheel assembly (including B)

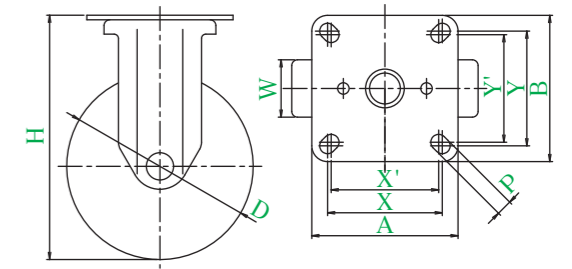
## K<sub>2</sub> TYPE



WK2-150



WK2-130



● Description of product number

**W K<sub>2</sub> - 150**

Wheel diameter  
Bracket type

Bracket = Trivalent unichrome coating

Product number	Wheels	Wheel diameter	Wheel width	Mounting height	Mounting base	Mounting dimensions	Hole diameter	Allowance load	Wheel weight
		D(mm)	W(mm)	H(mm)	A × B(mm)	X × Y(X' × Y') (mm)	P(mm)	daN(kgf)	(g)
W NR N GU K <sub>2</sub> -130	Rubber wheel with steel plate wheel assembly (including B)	130	40	170	102 × 102	80 × 80 (75 × 75)	11	160(163.2)	1390
	Rubber wheel with nylon wheel assembly (including B)							160(163.2)	1245
	Nylon wheel (including B)							150(153.0)	1195
	Urethane wheel with nylon wheel assembly (including B)							160(163.2)	1100
W NR N GU K <sub>2</sub> -150	Rubber wheel with steel plate wheel assembly (including B)	150	40	190	104 × 110	80 × 80 (75 × 75)	11	180(183.6)	1410
	Rubber wheel with nylon wheel assembly (including B)							180(183.6)	1200
	Nylon wheel (including B)							160(163.2)	1100
	Urethane wheel with nylon wheel assembly (including B)							180(183.6)	1140

- The rubber wheel with conductive steel plate wheel assembly (including B) having wheel diameter of φ 150 can be manufactured.

### Wheel in use

Refer to P154 for detailed specifications.



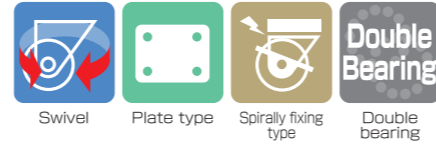
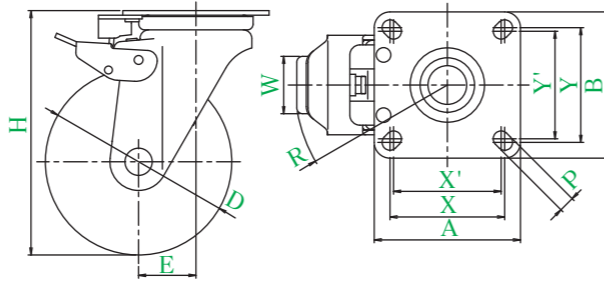
W Rubber wheel with steel plate wheel assembly (including B)  
NR Rubber wheel with nylon wheel assembly (including B)  
N Nylon wheel (including B)  
GU Urethane wheel with nylon wheel assembly (including B)

## J<sub>2</sub>K TYPE

• Spirally fixing type



WJ<sub>2</sub>K-150



● Description of product number

**W J<sub>2</sub>K - 150**

Wheel type	Bracket type	Wheel diameter
------------	--------------	----------------

Bracket = Trivalent unichrome coating

Product number	Wheels	Wheel diameter	Wheel width	Mounting height	Mounting base	Mounting dimensions	Hole diameter	Eccentricity	Turning radius	Allowance load	Wheel weight
		D(mm)	W(mm)	H(mm)	A × B(mm)	X × Y (X' × Y') (mm)	P(mm)	E(mm)	R(mm)	daN(kgf)	(g)
W NR N GU J <sub>2</sub> K-130	Rubber wheel with steel plate wheel assembly (including B)	130	40	170	102 × 102	80 × 80 (75 × 75)	11	40	105	160(163.2)	1760
	Rubber wheel with nylon wheel assembly (including B)									160(163.2)	1460
	Nylon wheel (including B)									150(153.0)	1410
	Urethane wheel with nylon wheel assembly (including B)									160(163.2)	1440
W NR N GU J <sub>2</sub> K-150	Rubber wheel with steel plate wheel assembly (including B)	150	40	190	102 × 102	80 × 80 (75 × 75)	11	40	115	180(183.6)	1860
	Rubber wheel with nylon wheel assembly (including B)									180(183.6)	1720
	Nylon wheel (including B)									160(163.2)	1655
	Urethane wheel with nylon wheel assembly (including B)									180(183.6)	1640

- Swivel and fixed wheel can be switched with one touch operation.
- The rubber wheel with conductive steel plate wheel assembly (including B) having wheel diameter of φ 150 can be manufactured.

☆ Utility Model No.3014588

Wheel in use

Refer to P154 for detailed specifications.



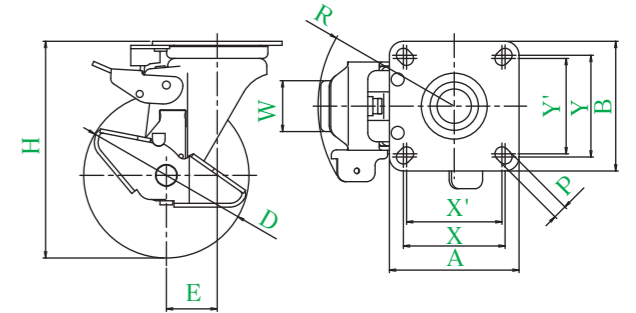
W Rubber wheel with steel plate wheel assembly (including B)  
NR Rubber wheel with nylon wheel assembly (including B)  
N Nylon wheel (including B)  
GU Urethane wheel with nylon wheel assembly (including B)

## J<sub>2</sub>K-S TYPE

• Equipped with a pedal type single stopper  
• Spirally fixing type



GUJ<sub>2</sub>K-150S



● Description of product number

**GU J<sub>2</sub>K - 150 S**

Wheel type	Bracket type	Wheel diameter	Equipped with stopper
------------	--------------	----------------	-----------------------

Bracket = Trivalent unichrome coating

Product number	Wheels	Wheel diameter	Wheel width	Mounting height	Mounting base	Mounting dimensions	Hole diameter	Eccentricity	Turning radius	Allowance load	Wheel weight
		D(mm)	W(mm)	H(mm)	A × B(mm)	X × Y (X' × Y') (mm)	P(mm)	E(mm)	R(mm)	daN(kgf)	(g)
W NR N GU J <sub>2</sub> K-130 S	Rubber wheel with steel plate wheel assembly (including B)	130	40	170	102 × 102	80 × 80 (75 × 75)	11	40	110	160(163.2)	2095
	Rubber wheel with nylon wheel assembly (including B)									160(163.2)	1650
	Nylon wheel (including B)									150(153.0)	1600
	Urethane wheel with nylon wheel assembly (including B)									160(163.2)	1630
W NR N GU J <sub>2</sub> K-150 S	Rubber wheel with steel plate wheel assembly (including B)	150	40	190	102 × 102	80 × 80 (75 × 75)	11	40	115	180(183.6)	2085
	Rubber wheel with nylon wheel assembly (including B)									180(183.6)	1810
	Nylon wheel (including B)									160(163.2)	1745
	Urethane wheel with nylon wheel assembly (including B)									180(183.6)	1870

- This is a caster manufactured by providing the wheel lock function to J<sub>2</sub>K type. Each caster can be used independently.
- Swivel and fixed wheel can be switched with one touch operation.
- The rubber wheel with conductive steel plate wheel assembly (including B) having wheel diameter of φ 150 can be manufactured.

☆ Utility Model No.3014588

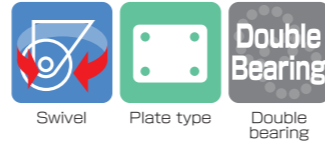
Wheel in use

Refer to P154 for detailed specifications.

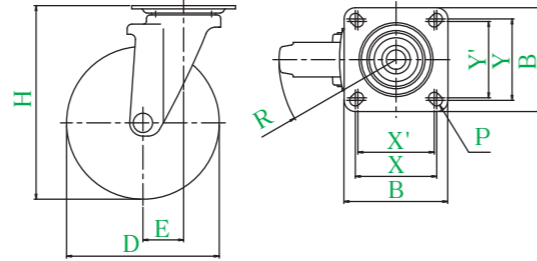


W Rubber wheel with steel plate wheel assembly (including B)  
NR Rubber wheel with nylon wheel assembly (including B)  
N Nylon wheel (including B)  
GU Urethane wheel with nylon wheel assembly (including B)

## RJ<sub>2</sub> TYPE



RJ2-150NWR



● Description of product number

**RJ<sub>2</sub> - 150 NWR**

Bracket type	Wheel diameter	Wheel type
--------------	----------------	------------

Bracket = Trivalent unichrome coating

Product number	Wheels										
		Wheel diameter D(mm)	Wheel width W(mm)	Mounting height H(mm)	Mounting base A × B(mm)	Mounting dimensions X × Y (X' × Y') (mm)	Hole diameter P(mm)	Eccentricity E(mm)	Turning radius R(mm)	Allowance load daN(kgf)	Wheel weight (g)
RJ2-150NWR	Rubber wheel with nylon wheel assembly (including B)	150	34	190	102 × 102	80 × 80 (75 × 75)	11	40	115	160(163.2)	1180

### Wheel in use

Refer to P154 for detailed specifications.

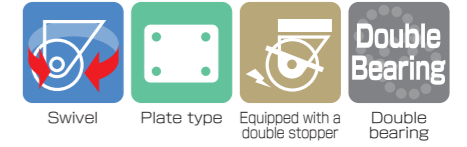


NWR

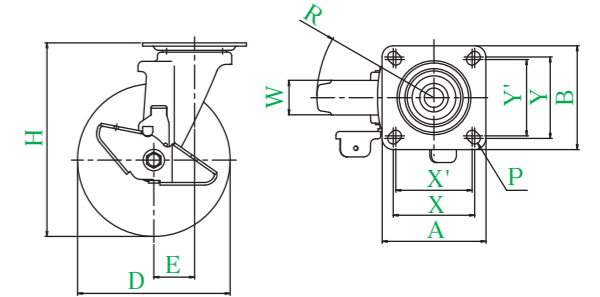
Rubber wheel with nylon wheel assembly (including B)

## RJ<sub>2</sub>-S TYPE

● Equipped with a pedal type single stopper



RJ2-150NWR S



● Description of product number

**RJ<sub>2</sub> - 150 NWR S**

Bracket type	Wheel diameter	Wheel type	Equipped with stopper
--------------	----------------	------------	-----------------------

Bracket = Trivalent unichrome coating

Product number	Wheels										
		Wheel diameter D(mm)	Wheel width W(mm)	Mounting height H(mm)	Mounting base A × B(mm)	Mounting dimensions X × Y (X' × Y') (mm)	Hole diameter P(mm)	Eccentricity E(mm)	Turning radius R(mm)	Allowance load daN(kgf)	Wheel weight (g)
RJ2-150NWR S	Rubber wheel with nylon wheel assembly (including B)	150	34	190	102 × 102	80 × 80 (75 × 75)	11	40	115	160(163.2)	1340

● These casters are used for only locking rotation of the wheel.

### Wheel in use

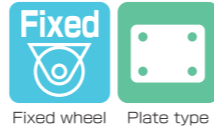
Refer to P154 for detailed specifications.



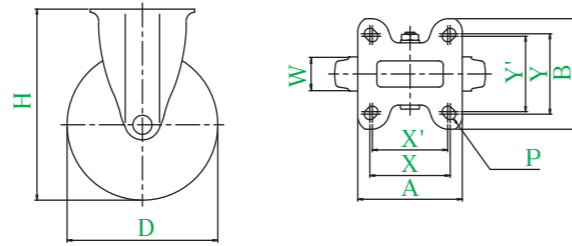
NWR

Rubber wheel with nylon wheel assembly (including B)

## K<sub>2</sub> TYPE



NWRK2-150



● Description of product number

### NWR K<sub>2</sub> - 150

Wheel type	Bracket type	Wheel diameter
------------	--------------	----------------

Bracket = Trivalent unichrome coating

Product number	Wheels								
		Wheel diameter D(mm)	Wheel width W(mm)	Mounting height H(mm)	Mounting base A × B(mm)	Mounting dimensions X × Y(mm)	Hole diameter P(mm)	Allowance load daN(kgf)	Wheel weight (g)
NWR K2-150	Rubber wheel with nylon wheel assembly (including B)	150	34	190	104 × 110	80 × 80 (75 × 75)	11	160(163.2)	1115

### Wheel in use

Refer to P154 for detailed specifications.

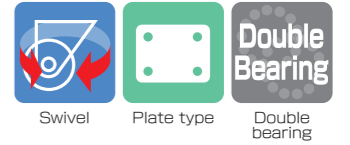


**NWR**  
Rubber wheel with nylon wheel assembly (including B)

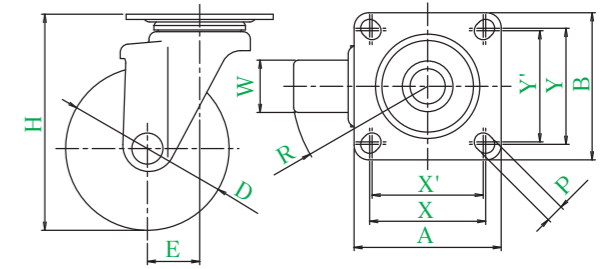
## SJ TYPE



There are some non-conforming products.



SJ-100W



● Description of product number

### SJ - 100 W

Bracket type	Wheel diameter	Wheel type
--------------	----------------	------------

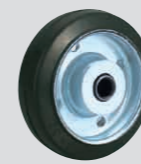
Bracket = Trivalent unichrome coating

Product number	Wheels										
		Wheel diameter D(mm)	Wheel width W(mm)	Mounting height H(mm)	Mounting base A × B(mm)	Mounting dimensions X × Y (X' × Y') (mm)	Hole diameter P(mm)	Eccentricity E(mm)	Turning radius R(mm)	Allowance load daN(kgf)	Wheel weight (g)
SJ-100	W	100	32	132	90 × 90	71 × 71 (68 × 68)	11	32	82	120(122.4)	980
	WP									120(122.4)	930
	NR									100(102.0)	870
	N									120(122.4)	780
	NB									120(122.4)	870
	UW									120(122.4)	1070
SJ-125	W	125	32	168	102 × 102	80 × 80 (75 × 75)	11	32	95	120(122.4)	1180
	WP									120(122.4)	1130
	GU									120(122.4)	1055

● The rubber wheel with conductive steel plate wheel assembly (including B) and the urethane wheel with antistatic steel plate wheel assembly (including B) having wheel diameter of φ 100 can be manufactured.

### Wheel in use

Refer to P154 for detailed specifications.



**W**  
Rubber wheel with steel plate wheel assembly (including B)



**WP**  
Rubber wheel with steel plate wheel assembly



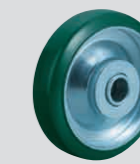
**NR**  
Rubber wheel with nylon wheel assembly (including B)



**N**  
Nylon wheel



**NB**  
Nylon wheel (including B)



**UW**  
Urethane wheel with steel plate wheel assembly (including B)

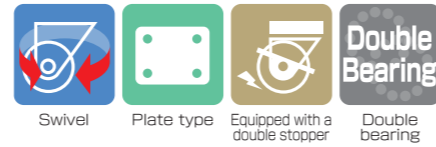


**GU**  
Urethane wheel with nylon wheel assembly (including B)

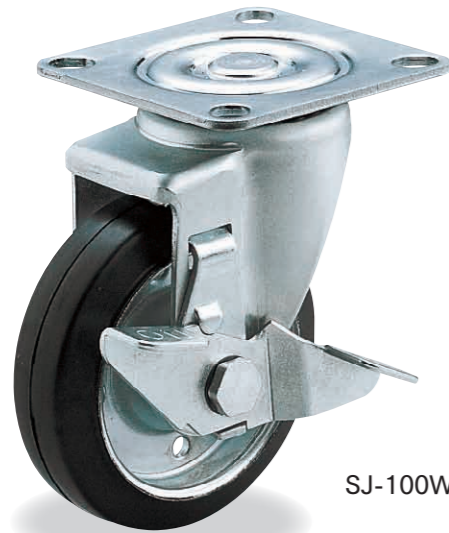
# SJ-S TYPE



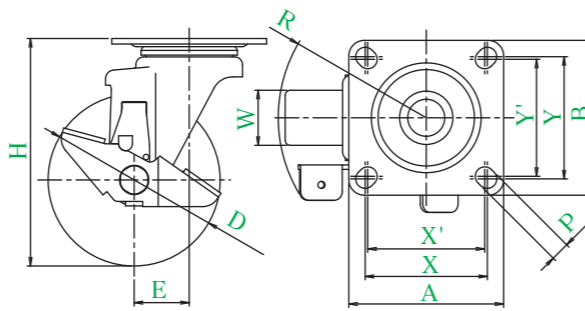
There are some non-conforming products.



• Equipped with a pedal type single stopper



SJ-100WS



● Description of product number

**SJ - 100 W S**

Bracket type  
Wheel diameter  
Equipped with stopper  
Wheel type

Bracket = Trivalent unichrome coating

Product number	Wheels										
		Wheel diameter D(mm)	Wheel width W(mm)	Mounting height H(mm)	Mounting base A × B(mm)	Mounting dimensions X × Y (X' × Y') (mm)	Hole diameter P(mm)	Eccentricity E(mm)	Turning radius R(mm)	Allowance load daN(kgf)	Wheel weight (g)
SJ-100	W	100	32	132	90 × 90	71 × 71 (68 × 68)	11	32	86	120(122.4)	1080
	WP									120(122.4)	1020
	NR									100(102.0)	970
	N									120(122.4)	860
	NB									120(122.4)	950
	UW									120(122.4)	1170
	GU									100(102.0)	970
SJ-125	W	125	32	168	102 × 102	80 × 80 (75 × 75)	11	32	97	120(122.4)	1300
	WP									120(122.4)	1250
	GU									120(122.4)	1250

- These casters are used for only locking rotation of the wheel.
- The rubber wheel with conductive steel plate wheel assembly (including B) and the urethane wheel with antistatic steel plate wheel assembly (including B) having wheel diameter of φ 100 can be manufactured.

Wheel in use

Refer to P154 for detailed specifications.

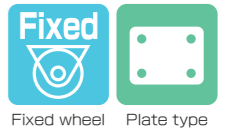


W Rubber wheel with steel plate wheel assembly (including B)  
WP Rubber wheel with steel plate wheel assembly (including B)  
NR Rubber wheel with nylon wheel assembly (including B)  
N Nylon wheel  
NB Nylon wheel (including B)  
UW Urethane wheel with steel plate wheel assembly (including B)  
GU Urethane wheel with nylon wheel assembly (including B)

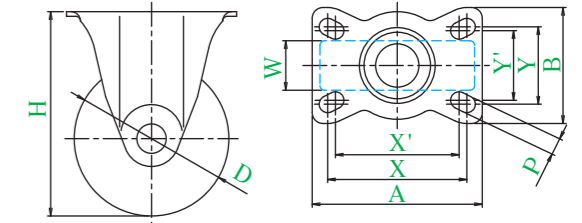
# SK TYPE



There are some non-conforming products.



SK-100GU



● Description of product number

**SK - 100 GU**

Bracket type  
Wheel diameter  
Wheel type

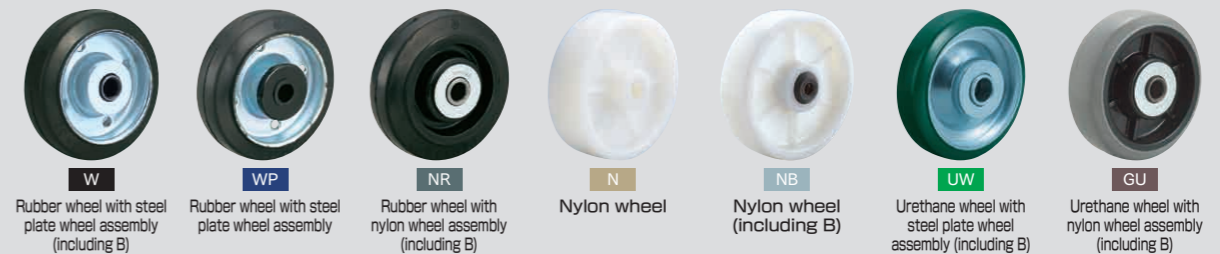
Bracket = Trivalent unichrome coating

Product number	Wheels								
		Wheel diameter D(mm)	Wheel width W(mm)	Mounting height H(mm)	Mounting base A × B(mm)	Mounting dimensions X × Y (X' × Y') (mm)	Hole diameter P(mm)	Allowance load daN(kgf)	Wheel weight (g)
SK-100	W	100	32	132	110 × 75	90 × 50 (80 × 45)	11	120(122.4)	760
	WP							120(122.4)	710
	NR							100(102.0)	650
	N							120(122.4)	560
	NB							120(122.4)	685
	UW							120(122.4)	850
	GU							100(102.0)	680
SK-125	W	125	32	168	104 × 110	80 × 80 (75 × 75)	11	120(122.4)	1120
	WP							120(122.4)	1070
	GU							120(122.4)	960

- The rubber wheel with conductive steel plate wheel assembly (including B) and the urethane wheel with antistatic steel plate wheel assembly (including B) having wheel diameter of φ 100 can be manufactured.

Wheel in use

Refer to P154 for detailed specifications.



W Rubber wheel with steel plate wheel assembly (including B)  
WP Rubber wheel with steel plate wheel assembly (including B)  
NR Rubber wheel with nylon wheel assembly (including B)  
N Nylon wheel  
NB Nylon wheel (including B)  
UW Urethane wheel with steel plate wheel assembly (including B)  
GU Urethane wheel with nylon wheel assembly (including B)

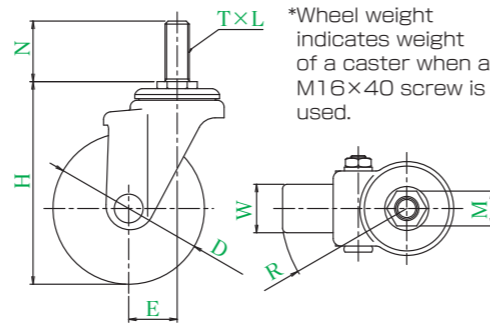
# SJT TYPE



There are some non-conforming products.



SJT-125W, M20×40



\*Wheel weight indicates weight of a caster when a M16×40 screw is used.

● Description of product number  
Please specify screw type and length.

**SJT - 125 W , M20 × 40**

Bracket type	Wheel diameter	Wheel type	Screw	Length
--------------	----------------	------------	-------	--------

Bracket = Trivalent unichrome coating

Product number	Wheels	Wheel diameter	Wheel width	Mounting height	Screw	Pitch	Length	Opposite side	Eccentricity	Turning radius	Allowance load	Wheel weight
		D(mm)	W(mm)	H(mm)	T	L	N(mm)	M(mm)	E(mm)	R(mm)	daN(kgf)	(g)
SJT-100	W	100	32	134	M16	2	40	23	32	82	120(122.4)	890
	WP										120(122.4)	930
	NR										100(102.0)	820
	N										120(122.4)	690
	NB										120(122.4)	745
	UW										120(122.4)	980
SJT-125	W	125	32	166	M16	2	40	23	32	95	120(122.4)	1040
	WP										120(122.4)	990
	NR										100(102.0)	780
	N										120(122.4)	980
	NB										120(122.4)	830
	UW										120(122.4)	1130

- For casters having wheel diameter of  $\phi$  100, there are types in which mounting height is 138mm.
- The rubber wheel with conductive steel plate wheel assembly (including B) and the urethane wheel with antistatic steel plate wheel assembly (including B) having wheel diameter of  $\phi$  100 can be manufactured.
- Allowable load is the allowable load when the stem is screwed in to the end.
- ★ Refer to P7 for the mounting method.

Wheel in use Refer to P154 for detailed specifications.

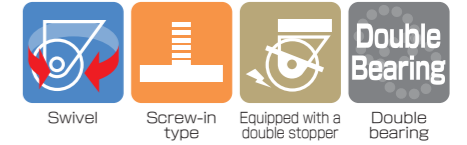


W Rubber wheel with steel plate wheel assembly (including B)  
WP Steel plate wheel Rubber wheel  
NR Rubber wheel with nylon wheel assembly (including B)  
N Nylon wheel  
NB Nylon wheel (including B)  
UW Urethane wheel with steel plate wheel assembly (including B)  
GU Urethane wheel with nylon wheel assembly (including B)

# SJT-S TYPE



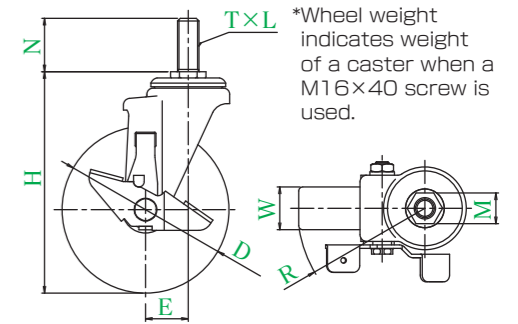
There are some non-conforming products.



● Equipped with a pedal type single stopper



SJT-125WS, M20×40



\*Wheel weight indicates weight of a caster when a M16×40 screw is used.

● Description of product number  
Please specify screw type and length.

**SJT - 125 W S, M20 × 40**

Bracket type	Wheel diameter	Wheel type	Equipped with stopper	Screw	Length
--------------	----------------	------------	-----------------------	-------	--------

Bracket = Trivalent unichrome coating

Product number	Wheels	Wheel diameter	Wheel width	Mounting height	Screw	Pitch	Length	Opposite side	Eccentricity	Turning radius	Allowance load	Wheel weight
		D(mm)	W(mm)	H(mm)	T	L	N(mm)	M(mm)	E(mm)	R(mm)	daN(kgf)	(g)
SJT-100	W	100	32	134	M16	2	40	23	32	86	120(122.4)	980
	WP										120(122.4)	1110
	NR										100(102.0)	1000
	N										120(122.4)	780
	NB										120(122.4)	830
	UW										120(122.4)	1130
SJT-125	W	125	32	166	M16	2	40	23	32	97	120(122.4)	1130
	WP										120(122.4)	1080
	NR										100(102.0)	860
	N										120(122.4)	980
	NB										120(122.4)	830
	UW										120(122.4)	1130

- These casters are used for only locking rotation of the wheel.
- For casters having wheel diameter of  $\phi$  100, there are types in which mounting height is 138mm.
- The rubber wheel with conductive steel plate wheel assembly (including B) and the urethane wheel with antistatic steel plate wheel assembly (including B) having wheel diameter of  $\phi$  100 can be manufactured.
- Allowable load is the allowable load when the stem is screwed in to the end.
- ★ Refer to P7 for the mounting method.

Wheel in use Refer to P154 for detailed specifications.



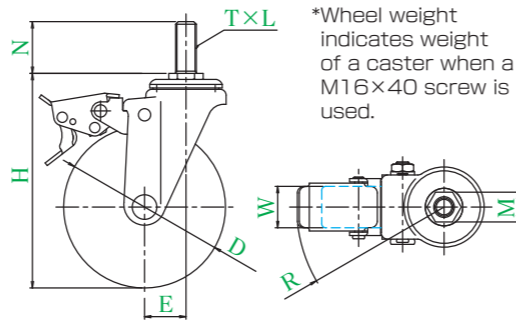
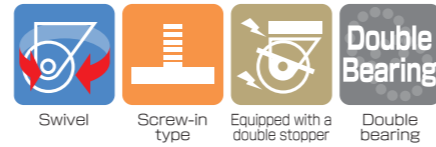
W Rubber wheel with steel plate wheel assembly (including B)  
WP Steel plate wheel Rubber wheel  
NR Rubber wheel with nylon wheel assembly (including B)  
N Nylon wheel  
NB Nylon wheel (including B)  
UW Urethane wheel with steel plate wheel assembly (including B)  
GU Urethane wheel with nylon wheel assembly (including B)

# SJT-SW TYPE

• Equipped with a pedal type double stopper



SJT-125WSW, M20x40



\*Wheel weight indicates weight of a caster when a M16x40 screw is used.

● Description of product number  
Please specify screw type and length.

**SJT - 125 W SW, M20 x 40**

Bracket type	Wheel diameter	Wheel type	Equipped with a double stopper	Screw	Length
--------------	----------------	------------	--------------------------------	-------	--------

Bracket = Trivalent unichrome coating

Product number	Wheels	Wheel diameter	Wheel width	Mounting height	Screw	Pitch	Length	Opposite side	Eccentricity	Turning radius	Allowance load	Wheel weight
		D(mm)	W(mm)	H(mm)	T	L	N(mm)	M(mm)	E(mm)	R(mm)	daN(kgf)	(g)
SJT-125	W	125	32	166	M16	2	40	23	32	114	120(122.4)	1240
	WP										120(122.4)	1165
	GU										120(122.4)	1085

- This caster is equipped with the double stopper that can lock the mounting portion and wheel.
- Casters having wheel diameter of  $\phi 100$  can be manufactured. (Mounting height: 138mm)
- The rubber wheel with conductive steel plate wheel assembly (including B) and the urethane wheel with antistatic steel plate wheel assembly (including B) having wheel diameter of  $\phi 100$  can be manufactured.
- Allowable load is the allowable load when the stem is screwed in to the end.
- ★ Refer to P7 for the mounting method.

**Wheel in use** Refer to P154 for detailed specifications.

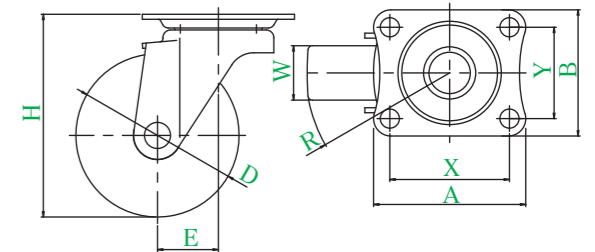
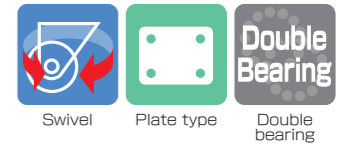


**W** Rubber wheel with steel plate wheel assembly (including B)  
**WP** Steel plate wheel Rubber wheel  
**GU** Urethane wheel with nylon wheel assembly (including B)

# SG TYPE



There are some non-conforming products.



SG-75N

● Description of product number

**SG - 75 N**

Bracket type	Wheel diameter	Wheel type
--------------	----------------	------------

Bracket = Trivalent unichrome coating

Product number	Wheels	Wheel diameter	Wheel width	Mounting height	Mounting base	Mounting dimensions	Hole diameter	Eccentricity	Turning radius	Allowance load	Wheel weight	
		D(mm)	W(mm)	H(mm)	A x B(mm)	X x Y(mm)	P(mm)	E(mm)	R(mm)	daN(kgf)	(g)	
SG-50	RH	50	Rubber wheel	28	70	70 x 58	55 x 42	8.8	27	53	50(51.0)	300
	N		Nylon wheel								60(61.2)	265
	UR		Urethane wheel with nylon wheel assembly								60(61.2)	275
SG-65	RH	65	Rubber wheel	25	85	70 x 58	55 x 42	8.8	27	61	50(51.0)	350
	N		Nylon wheel								70(71.4)	285
	UR		Urethane wheel with nylon wheel assembly								60(61.2)	310
	EL		Elastomer wheel								40(40.8)	310
SG-75	RH	75	Rubber wheel	25	93	70 x 58	55 x 42	8.8	28	66	60(61.2)	390
	NR		Rubber wheel with nylon wheel assembly								60(61.2)	320
	NRB		Rubber wheel with nylon wheel assembly (including B)								60(61.2)	360
	N		Nylon wheel								80(81.6)	300
	UR		Urethane wheel with nylon wheel assembly								70(71.4)	330
	UHF		Urethane wheel with nylon wheel assembly (including B)								70(71.4)	360
SG-100	RH	100	Rubber wheel	25	122	100 x 58	82 x 40	8.8	31	82	50(51.0)	550
	NR		Rubber wheel with nylon wheel assembly								60(61.2)	460
	NRB		Rubber wheel with nylon wheel assembly (including B)								60(61.2)	500
	N		Nylon wheel								60(61.2)	390
	UR		Urethane wheel with nylon wheel assembly								60(61.2)	425
	UHF		Urethane wheel with nylon wheel assembly (including B)								60(61.2)	470
EL	Elastomer wheel	50(51.0)	430									

- For nylon wheels, black wheels can be manufactured.
- Conductive rubber wheel having wheel diameter of  $\phi 75$  to  $\phi 100$  can be manufactured.
- The antistatic urethane wheel having wheel diameter of  $\phi 100$  can be manufactured.

**Wheel in use** Refer to P155 for detailed specifications.

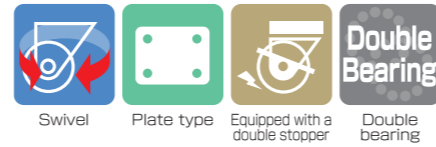


**RH** Rubber wheel  
**NR** Rubber wheel with nylon wheel assembly  
**NRB** Rubber wheel with nylon wheel assembly (including B)  
**N** Nylon wheel  
**UR** Urethane wheel with nylon wheel assembly  
**UHF** Urethane wheel with nylon wheel assembly (including B)  
**EL** Elastomer wheel

# SG-S TYPE



There are some non-conforming products.



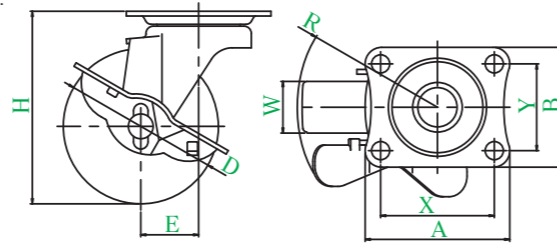
• Equipped with a pedal type single stopper



SG-75NS



SG-75UHFD



● Description of product number

**SG - 75 N S**

Bracket type  
Wheel diameter  
Wheel type  
Equipped with stopper

(\* "S" indicates that a stopper is equipped. If wheel type is NRB or UHF, please describe "DS".)

Bracket = Trivalent unichrome coating

Product number	Wheels	Wheel diameter	Wheel width	Mounting height	Mounting base	Mounting dimensions	Hole diameter	Eccentricity	Turning radius	Allowance load	Wheel weight
		D(mm)	W(mm)	H(mm)	A × B(mm)	X × Y(mm)	P(mm)	E(mm)	R(mm)	daN(kgf)	(g)
SG-50	RH Rubber wheel	50	28	70	70 × 58	55 × 42	8.8	27	67	50(51.0)	330
	N Nylon wheel									60(61.2)	305
	UR Urethane wheel with nylon wheel assembly									60(61.2)	310
SG-65	RH Rubber wheel	65	25	85	70 × 58	55 × 42	8.8	27	68	50(51.0)	400
	N Nylon wheel									70(71.4)	330
	UR Urethane wheel with nylon wheel assembly									60(61.2)	355
	EL Elastomer wheel									40(40.8)	360
SG-75	RH Rubber wheel	75	25	93	70 × 58	55 × 42	8.8	28	68	60(61.2)	440
	NR Rubber wheel with nylon wheel assembly									60(61.2)	385
	NRB Rubber wheel with nylon wheel assembly (including B)									60(61.2)	425
	N Nylon wheel									80(81.6)	345
	UR Urethane wheel with nylon wheel assembly									70(71.4)	370
	UHF Urethane wheel with nylon wheel assembly (including B)									70(71.4)	420
	EL Elastomer wheel									50(51.0)	380
SG-100	RH Rubber wheel	100	25	122	100 × 58	82 × 40	8.8	31	82	50(51.0)	610
	NR Rubber wheel with nylon wheel assembly									60(61.2)	520
	NRB Rubber wheel with nylon wheel assembly (including B)									60(61.2)	560
	N Nylon wheel									60(61.2)	455
	UR Urethane wheel with nylon wheel assembly									60(61.2)	490
	UHF Urethane wheel with nylon wheel assembly (including B)									60(61.2)	510
	EL Elastomer wheel									50(51.0)	490

- These castors are used for only locking rotation of the wheel.
- Conductive rubber wheel having wheel diameter of φ 75 to φ 100 can be manufactured.
- For nylon wheels, black wheels can be manufactured.
- The antistatic urethane wheel having wheel diameter of φ 100 can be manufactured.

Wheel in use

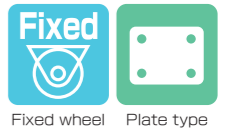
Refer to P155 for detailed specifications.



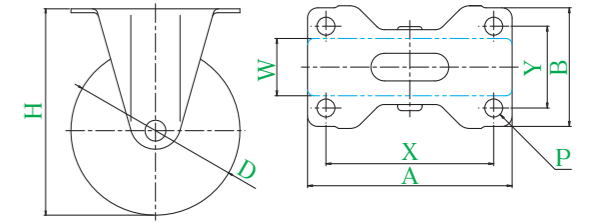
# SR TYPE



There are some non-conforming products.



SR-100RH



● Description of product number

**SR - 100 RH**

Bracket type  
Wheel diameter  
Wheel type

Bracket = Trivalent unichrome coating

Product number	Wheels	Wheel diameter	Wheel width	Mounting height	Mounting base	Mounting dimensions	Hole diameter	Allowance load	Wheel weight
		D(mm)	W(mm)	H(mm)	A × B(mm)	X × Y(mm)	P(mm)	daN(kgf)	(g)
SR-50	RH Rubber wheel	50	28	70	70 × 47	55 × 28	8.8	50(51.0)	190
	N Nylon wheel							60(61.2)	160
	UR Urethane wheel with nylon wheel assembly							60(61.2)	165
SR-65	RH Rubber wheel	65	25	85	70 × 47	55 × 28	8.8	50(51.0)	240
	N Nylon wheel							70(71.4)	180
	UR Urethane wheel with nylon wheel assembly							60(61.2)	205
	EL Elastomer wheel							40(40.8)	200
SR-75	RH Rubber wheel	75	25	93	70 × 47	55 × 28	8.8	60(61.2)	280
	NR Rubber wheel with nylon wheel assembly							60(61.2)	215
	NRB Rubber wheel with nylon wheel assembly (including B)							60(61.2)	255
	N Nylon wheel							80(81.6)	195
	UR Urethane wheel with nylon wheel assembly							70(71.4)	220
	UHF Urethane wheel with nylon wheel assembly (including B)							70(71.4)	230
	EL Elastomer wheel							50(51.0)	220
SR-100	RH Rubber wheel	100	25	122	100 × 58	82 × 40	8.8	50(51.0)	480
	NR Rubber wheel with nylon wheel assembly							60(61.2)	395
	NRB Rubber wheel with nylon wheel assembly (including B)							60(61.2)	435
	N Nylon wheel							60(61.2)	325
	UR Urethane wheel with nylon wheel assembly							60(61.2)	365
	UHF Urethane wheel with nylon wheel assembly (including B)							60(61.2)	405
	EL Elastomer wheel							50(51.0)	360

- For nylon wheels, black wheels can be manufactured.
- Conductive rubber wheel having wheel diameter of φ 75 to φ 100 can be manufactured.
- The antistatic urethane wheel having wheel diameter of φ 100 can be manufactured.

Wheel in use

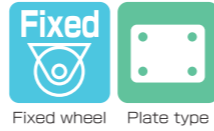
Refer to P155 for detailed specifications.



# SGR TYPE



There are some non-conforming products.



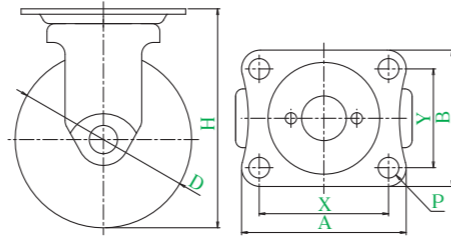
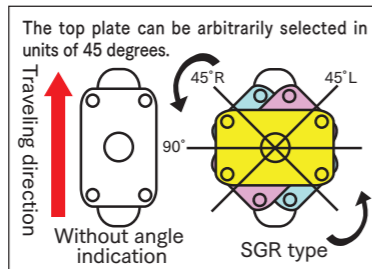
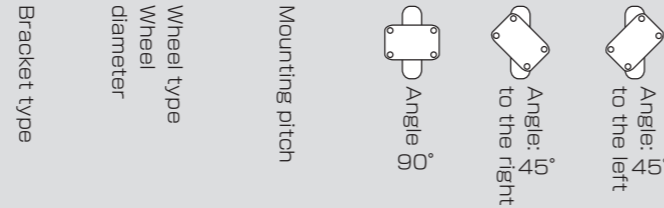
Fixed wheel Plate type



SGR-75UR(P55 x 42)-90

● Description of product number  
Please specify degrees.

**SGR - 75 UR (P55 x 42)- 90, 45R or 45L**



Bracket = Trivalent unichrome coating

Product number	Wheels	Wheel diameter	Wheel width	Mounting height	Mounting base	Mounting dimensions	Hole diameter	Allowance load	Wheel weight
		D(mm)	W(mm)	H(mm)	A x B(mm)	X x Y(mm)	P(mm)	daN(kgf)	(g)
SGR-75	RH Rubber wheel	75	25	93	70 x 58	55 x 42	8.8	60(61.2)	290
	NR Rubber wheel with nylon wheel assembly		27					60(61.2)	230
	NRB Rubber wheel with nylon wheel assembly (including B)		25					80(81.6)	195
	N Nylon wheel		25					70(71.4)	215
	UR Urethane wheel with nylon wheel assembly		26					70(71.4)	255
	UHF Urethane wheel with nylon wheel assembly (including B)		27					50(51.0)	220
SGR-100	RH Rubber wheel	100	25	122	70 x 58	55 x 42	8.8	50(51.0)	500
	NR Rubber wheel with nylon wheel assembly		27					60(61.2)	435
	NRB Rubber wheel with nylon wheel assembly (including B)		27					60(61.2)	470
	N Nylon wheel		25					60(61.2)	320
	UR Urethane wheel with nylon wheel assembly		28					60(61.2)	355
	UHF Urethane wheel with nylon wheel assembly (including B)		27					60(61.2)	455
	EL Elastomer wheel		27				50(51.0)	340	

- For nylon wheels, black wheels can be manufactured.
- Conductive rubber wheel can be manufactured.
- For casters having wheel diameter of  $\phi 100$ , the antistatic urethane wheel can be manufactured.

**SG type and SR type can be shared.**

☆ Patent Pending No.2010-083458

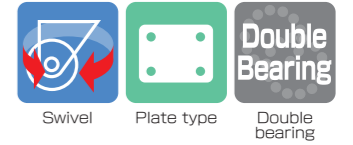
**Wheel in use** Refer to P155 for detailed specifications.



# SGC TYPE



There are some non-conforming products.



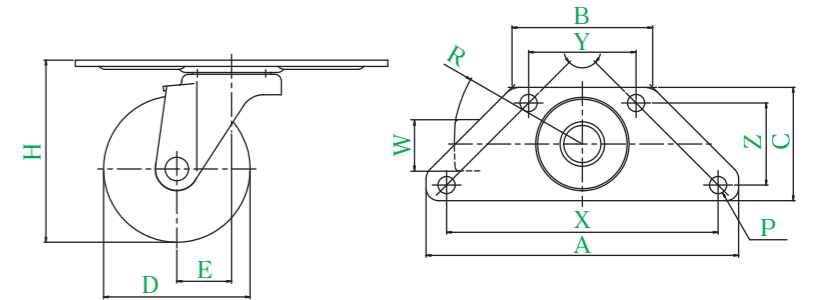
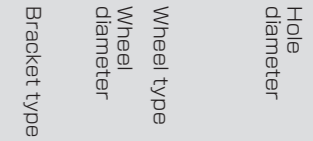
Swivel Plate type Double bearing



SGC-75RH,  $\phi 8.8$

● Description of product number

**SGC - 75 RH and  $\phi 8.8$**



Bracket = Trivalent unichrome coating

Product number	Wheels	Wheel diameter	Wheel width	Mounting height	Mounting base	Mounting dimensions	Hole diameter	Eccentricity	Turning radius	Allowance load	Wheel weight
		D(mm)	W(mm)	H(mm)	A x B x C (mm)	X x Y x Z (mm)	P(mm)	E(mm)	R(mm)	daN(kgf)	(g)
SGC-50	RH Rubber wheel	50	28	70	160 x 72 x 58	139 x 55 x 42	8.8	27	53	50(51.0)	405
	N Nylon wheel									60(61.2)	370
	UR Urethane wheel with nylon wheel assembly		25							60(61.2)	380
SGC-65	RH Rubber wheel	65	25	85	160 x 72 x 58	139 x 55 x 42	8.8	27	60	50(51.0)	445
	N Nylon wheel									70(71.4)	390
	UR Urethane wheel with nylon wheel assembly		25							60(61.2)	415
	EL Elastomer wheel		27							40(40.8)	415
SGC-75	RH Rubber wheel	75	25	93	160 x 72 x 58	139 x 55 x 42	8.8	28	66	60(61.2)	495
	NR Rubber wheel with nylon wheel assembly		27							60(61.2)	425
	NRB Rubber wheel with nylon wheel assembly (including B)		27							60(61.2)	465
	N Nylon wheel		25							80(81.6)	410
	UR Urethane wheel with nylon wheel assembly		26							70(71.4)	435
	UHF Urethane wheel with nylon wheel assembly (including B)		26							70(71.4)	465
	EL Elastomer wheel		27							50(51.0)	435

- For nylon wheels, black wheels can be manufactured.
- Conductive rubber wheel having wheel diameter of  $\phi 75$  to  $\phi 100$  can be manufactured.
- The antistatic urethane wheel having wheel diameter of  $\phi 100$  can be manufactured.

**Wheel in use** Refer to P155 for detailed specifications.



# SGC-S TYPE



There are some non-conforming products.



Swivel



Plate type



Equipped with a double stopper



Double bearing

• Equipped with a pedal type single stopper

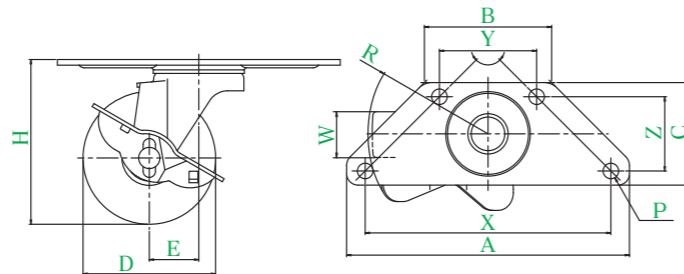
● Description of product number  
**SGC - 75 N S, φ 8.8**

Bracket type	Wheel diameter	Equipped with stopper type	Hole diameter
--------------	----------------	----------------------------	---------------

(\* "S" indicates that a stopper is equipped. If wheel type is NRB or UHF, please describe "DS".)



SGC-75NS, φ 8.8



Bracket = Trivalent unichrome coating

Product number	Wheels	Wheel diameter	Wheel width	Mounting height	Mounting base	Mounting dimensions	Hole diameter	Eccentricity	Turning radius	Allowance load	Wheel weight
		D(mm)	W(mm)	H(mm)	A × B × C (mm)	X × Y × Z (mm)	P(mm)	E(mm)	R(mm)	daN(kgf)	(g)
SGC-50	RH φ 8.8 Rubber wheel	50	28	70	160 × 72 × 58	139 × 55 × 42	8.8	27	67	50(51.0)	440
	N Nylon wheel									60(61.2)	410
	UR Urethane wheel with nylon wheel assembly									60(61.2)	420
SGC-65	RH φ 8.8 Rubber wheel	65	25	85	160 × 72 × 58	139 × 55 × 42	8.8	27	68	50(51.0)	510
	N Nylon wheel									70(71.4)	440
	UR Urethane wheel with nylon wheel assembly									60(61.2)	460
	EL Elastomer wheel									40(40.8)	470
SGC-75	RH φ 8.8 Rubber wheel	75	25	93	160 × 72 × 58	139 × 55 × 42	8.8	28	68	60(61.2)	550
	NR Rubber wheel with nylon wheel assembly									60(61.2)	495
	NRB DS φ 8.8 Rubber wheel with nylon wheel assembly (including B)									70	535
	N Nylon wheel									80(81.6)	457
	UR φ 8.8 Urethane wheel with nylon wheel assembly									70	480
	UHF DS φ 8.8 Urethane wheel with nylon wheel assembly (including B)									70	530
SGC-75	EL φ 8.8 Elastomer wheel	75	27	93	160 × 72 × 58	139 × 55 × 42	8.8	28	68	50(51.0)	490
	RH φ 8.8 Rubber wheel									60(61.2)	440
	NR Rubber wheel with nylon wheel assembly									60(61.2)	480
	NRB DS φ 8.8 Rubber wheel with nylon wheel assembly (including B)									70	530
	N Nylon wheel									80(81.6)	457

- These casters are used for only locking rotation of the wheel.
- For nylon wheels, black wheels can be manufactured.
- Conductive rubber wheel having wheel diameter of φ 75 to φ 100 can be manufactured.
- The antistatic urethane wheel having wheel diameter of φ 100 can be manufactured.

**Wheel in use** Refer to P155 for detailed specifications.



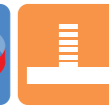
# ST TYPE



There are some non-conforming products.



Swivel



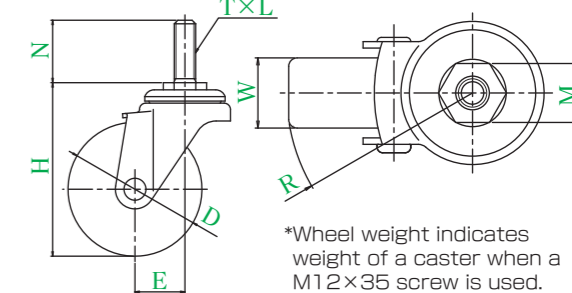
Screw-in type



Double bearing



ST-75RH, UNF1/2 × 25



\*Wheel weight indicates weight of a caster when a M12 × 35 screw is used.

● Description of product number  
 Please specify screw type and length.

**ST - 75 RH , UNF1/2 × 25**

Bracket type	Wheel diameter	Wheel type	Screw	Length
--------------	----------------	------------	-------	--------

Bracket = Trivalent unichrome coating

Product number	Wheels	Wheel diameter	Wheel width	Mounting height	Screw	Pitch and threads Per inch	Length	Opposite side	Eccentricity	Turning radius	Allowance load	Wheel weight
		D(mm)	W(mm)	H(mm)	T	L	N(mm)	M(mm)	E(mm)	R(mm)	daN(kgf)	(g)
ST-50	RH Rubber wheel	50	28	74							50(51.0)	310
	N Nylon wheel										60(61.2)	265
	UR Urethane wheel with nylon wheel assembly										60(61.2)	290
ST-65	RH Rubber wheel	65	25	89							50(51.0)	360
	N Nylon wheel										70(71.4)	285
	UR Urethane wheel with nylon wheel assembly										60(61.2)	390
	EL Elastomer wheel										40(40.8)	320
ST-75	RH Rubber wheel	75	25	97							60(61.2)	400
	NR Rubber wheel with nylon wheel assembly										60(61.2)	330
	NRB Rubber wheel with nylon wheel assembly (including B)										60(61.2)	370
	N Nylon wheel										80(81.6)	315
	UR Urethane wheel with nylon wheel assembly										70(71.4)	340
	UHF Urethane wheel with nylon wheel assembly (including B)										70(71.4)	370
ST-100	EL Elastomer wheel	100	27	126							50(51.0)	340
	RH Rubber wheel										60(61.2)	440
	NR Rubber wheel with nylon wheel assembly										60(61.2)	480
	NRB Rubber wheel with nylon wheel assembly (including B)										70	530
	N Nylon wheel										80(81.6)	457

- For nylon wheels, black wheels can be manufactured.
- Conductive rubber wheel having wheel diameter of φ 75 to φ 100 can be manufactured.
- The antistatic urethane wheel having wheel diameter of φ 100 can be manufactured.
- Some types of screws may not be in stock.
- Allowable load is the allowable load when the stem is screwed in to the end.
- ★ Refer to P7 for the mounting method.

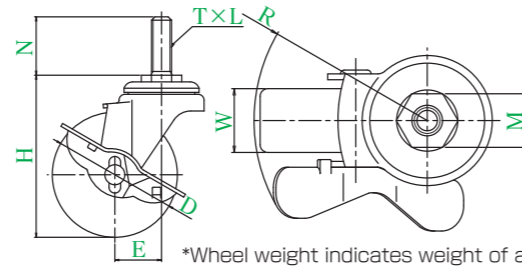
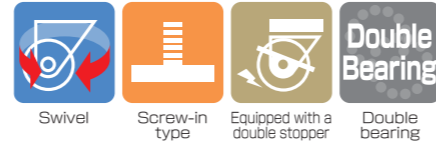
**Wheel in use** Refer to P155 for detailed specifications.



# ST-S TYPE

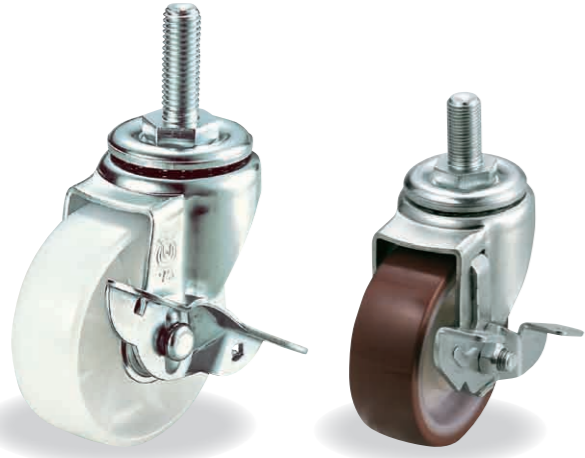


There are some non-conforming products.



\*Wheel weight indicates weight of a caster when a M12×35 screw is used.

• Equipped with a pedal type single stopper



ST-75NS, M12×35    ST-75UHFD, UNF1/2×25

● Description of product number  
Please specify screw type and length.

## ST - 100 UR S , M16 × 40

Bracket type	Wheel diameter	Wheel type	Equipped with stopper	Screw	Length

(\* "S" indicates that a stopper is equipped. If wheel type is NRB or UHF, please describe "DS".)

Bracket = Trivalent unichrome coating

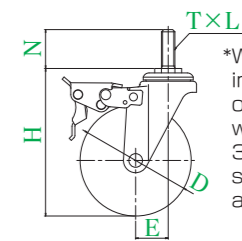
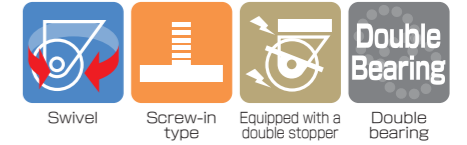
Product number	Wheels	Wheel diameter	Wheel width	Mounting height	Screw	Pitch and threads Per inch	Length	Opposite side	Eccentricity	Turning radius	Allowance load	Wheel weight	
		D(mm)	W(mm)	H(mm)	T	L	N(mm)	M(mm)	E(mm)	R(mm)	daN(kgf)	(g)	
ST-50	RH S Rubber wheel	50	28	74						27	67	50(51.0)	345
	N S Nylon wheel											60(61.2)	320
	UR S Urethane wheel with nylon wheel assembly											60(61.2)	325
ST-65	RH S Rubber wheel	65	25	89						27	68	50(51.0)	415
	N S Nylon wheel											70(71.4)	345
	UR S Urethane wheel with nylon wheel assembly											60(61.2)	370
	EL S Elastomer wheel		27									40(40.8)	
ST-75	RH S Rubber wheel	75	25	97	M12	1.75	35	21		28	70	60(61.2)	455
	NR S Rubber wheel with nylon wheel assembly											60(61.2)	400
	NRB DS Rubber wheel with nylon wheel assembly (including B)											60(61.2)	440
	N S Nylon wheel											80(81.6)	360
	UR S Urethane wheel with nylon wheel assembly											70(71.4)	385
	UHF DS Urethane wheel with nylon wheel assembly (including B)											70(71.4)	430
	EL S Elastomer wheel		27		W3/4	10 threads	40	23		70	50(51.0)	385	
ST-100	RH S Rubber wheel	100	25	126						31	82	50(51.0)	600
	NR S Rubber wheel with nylon wheel assembly											60(61.2)	505
	NRB DS Rubber wheel with nylon wheel assembly (including B)											60(61.2)	510
	N S Nylon wheel											60(61.2)	435
	UR S Urethane wheel with nylon wheel assembly											60(61.2)	475
	UHF DS Urethane wheel with nylon wheel assembly (including B)											60(61.2)	525
	EL S Elastomer wheel		27								50(51.0)	460	

- These casters are used for only locking rotation of the wheel.
- Conductive rubber wheel having wheel diameter of φ 75 to φ 100 can be manufactured.
- Some types of screws may not be in stock.
- For nylon wheels, black wheels can be manufactured.
- The antistatic urethane wheel having wheel diameter of φ 100 can be manufactured.
- Allowable load is the allowable load when the stem is screwed in to the end.
- ★ Refer to P7 for the mounting method.

Wheel in use Refer to P155 for detailed specifications.



# ST SPECIAL TYPE



\*Wheel weight indicates weight of a caster in which M12 x 35 screw and stopper type-1 are used.



ST-100NU(H132), M16×40    ST-100NUSW-1, M16×40    ST-100NUSW-2, M16×40    ST-100NUSW-3, M16×40

Bracket = Trivalent unichrome coating

Product number	Stopper	Wheels	Wheel diameter	Wheel width	Mounting height	Screw	Pitch	Length	Opposite side	Eccentricity	Turning radius	Allowance load	Wheel weight
			D(mm)	W(mm)	H(mm)	T	L	N(mm)	M(mm)	E(mm)	R(mm)	daN(kgf)	(g)
ST-75			75	25	104						26	50(51.0)	415
												60(61.2)	400
												60(61.2)	440
												80(81.6)	360
												70(71.4)	385
												70(71.4)	430
ST-100			100	25	132						29	50(51.0)	600
												60(61.2)	505
												60(61.2)	510
												60(61.2)	435
												60(61.2)	475
												60(61.2)	525

- \*1 This is the turning radius of stopper type -1. As for -2, the turning radius increases for +12mm. As for -3, the turning radius increases for +4mm.
- \*2 This is the turning radius of stopper type -1. As for -2, the turning radius increases for +2mm. As for -3, the turning radius increases for +4mm.
- \* Be sure to wear shoes when operating the stopper.
- \* If you operate the stopper by hand, you may get injured. Therefore, do not operate the stopper by hand.
- Allowable load is the allowable load when the stem is screwed in to the end.
- ★ Refer to P7 for the mounting method.

Wheel in use Refer to P155 for detailed specifications.



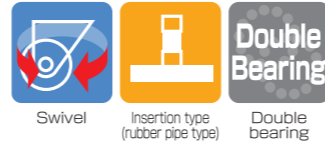
● Description of product number  
Please specify screw type and length.

## ST - 100 NU SW - 3 , M16 × 40

Bracket type	Wheel diameter	Wheel type	Availability of a double stopper	Stopper type*	Screw	Length

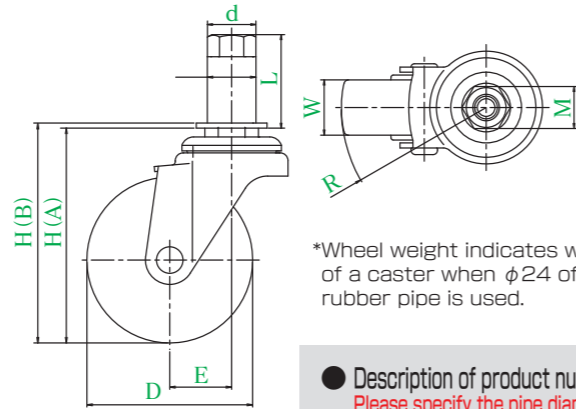
\*Stopper type  
-1: Resin stopper  
-2: Resin stopper equipped with the release lever  
-3: Steel plate stopper equipped with the release lever

# STF<sub>TYPE</sub>



STF-75RH,  $\phi$  22

STF-75N,  $\phi$  24



\*Wheel weight indicates weight of a caster when  $\phi$ 24 of rubber pipe is used.

● Description of product number  
Please specify the pipe diameter.

**STF - 75 RH ,  $\phi$  22**

Bracket type  
Wheel diameter  
Wheel type  
Pipe diameter

Bracket = Trivalent unichrome coating

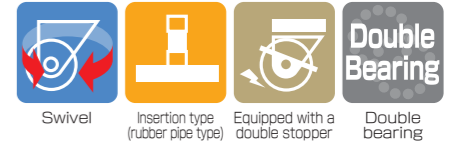
Product number	Wheels	Wheel diameter	Wheel width	Mounting height	Pipe diameter	Axis length	Opposite side	Eccentricity	Turning radius	Allowance load	Wheel weight	
		D(mm)	W(mm)	H(mm)	d(mm)	L(mm)	M(mm)	E(mm)	R(mm)	daN(kgf)	(g)	
STF-50	RH Rubber wheel	50	28	A=74 B=77					27	53	50(51.0)	350
	N Nylon wheel										60(61.2)	320
	UR Urethane wheel with nylon wheel assembly										60(61.2)	325
STF-65	RH Rubber wheel	65	25	A=89 B=92	22	40	21	27	61		50(51.0)	400
	N Nylon wheel										70(71.4)	340
	UR Urethane wheel with nylon wheel assembly										60(61.2)	365
	EL Elastomer wheel										40(40.8)	360
STF-75	RH Rubber wheel	75	25	A=97 B=100	34	60	21	28	66		60(61.2)	440
	NR Rubber wheel with nylon wheel assembly										60(61.2)	375
	NRB Rubber wheel with nylon wheel assembly (including B)										60(61.2)	410
	N Nylon wheel										70(71.4)	355
	UR Urethane wheel with nylon wheel assembly										70(71.4)	385
	UHF Urethane wheel with nylon wheel assembly (including B)										70(71.4)	410
EL Elastomer wheel	50(51.0)	380										

● For nylon wheels, black wheels can be manufactured.  
★ Refer to P8 for the mounting method.

Wheel in use Refer to P155 for detailed specifications.



# STF-S<sub>TYPE</sub>

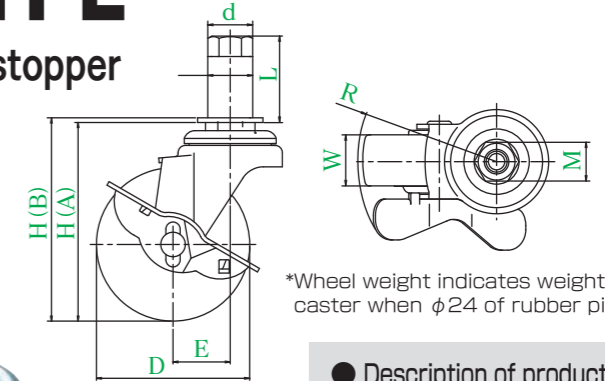


• Equipped with a pedal type single stopper



STF-75RHS,  $\phi$  22

STF-75N,  $\phi$  24



\*Wheel weight indicates weight of a caster when  $\phi$ 24 of rubber pipe is used.

● Description of product number  
Please specify the pipe diameter.

**STF - 75 RH S ,  $\phi$  22**

Bracket type  
Wheel diameter  
Wheel type  
Equipped with stopper  
Pipe diameter

(\* 'S' indicates that a stopper is equipped. If wheel type is NRB or UHF, please describe 'DS'.)

Bracket = Trivalent unichrome coating

Product number	Wheels	Wheel diameter	Wheel width	Mounting height	Pipe diameter	Axis length	Opposite side	Eccentricity	Turning radius	Allowance load	Wheel weight	
		D(mm)	W(mm)	H(mm)	d(mm)	L(mm)	M(mm)	E(mm)	R(mm)	daN(kgf)	(g)	
STF-50	RH Rubber wheel	50	28	A=74 B=77					27	67	50(51.0)	385
	N Nylon wheel										60(61.2)	360
	UR Urethane wheel with nylon wheel assembly										60(61.2)	380
STF-65	RH Rubber wheel	65	25	A=89 B=92	22	40	21	27	68		50(51.0)	450
	N Nylon wheel										70(71.4)	385
	UR Urethane wheel with nylon wheel assembly										60(61.2)	410
	EL Elastomer wheel										40(40.8)	410
STF-75	RH Rubber wheel	75	25	A=97 B=100	34	60	21	28	70		60(61.2)	490
	NR Rubber wheel with nylon wheel assembly										60(61.2)	435
	NRB Rubber wheel with nylon wheel assembly (including B)										60(61.2)	475
	N Nylon wheel										70(71.4)	400
	UR Urethane wheel with nylon wheel assembly										70(71.4)	425
	UHF Urethane wheel with nylon wheel assembly (including B)										70(71.4)	470
EL Elastomer wheel	50(51.0)	430										

● These casters are used for only locking rotation of the wheel.  
● For nylon wheels, black wheels can be manufactured.  
★ Refer to P8 for the mounting method.

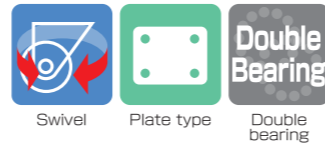
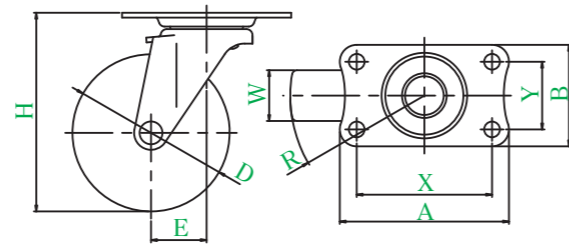
Wheel in use Refer to P155 for detailed specifications.



# E TYPE



E-100N



● Description of product number

**E - 100 N**

Bracket type  
Wheel diameter  
Wheel type

Bracket = Chrome plating finish

Product number	Wheels	Wheel diameter	Wheel width	Mounting height	Mounting base	Mounting dimensions	Hole diameter	Eccentricity	Turning radius	Allowance load	Wheel weight
		D(mm)	W(mm)	H(mm)	A × B(mm)	X × Y(mm)	P(mm)	E(mm)	R(mm)	daN(kgf)	(g)
E-50	R Rubber wheel	50	20	65	70 × 42	56 × 28	6.5	22	47	30(30.6)	175
	N Nylon wheel		21							40(40.8)	150
	UR Urethane wheel with nylon wheel assembly		21							38(38.8)	160
	EL Elastomer wheel		20							25(25.5)	150
E-65	RH Rubber wheel	65	21	82	70 × 42	56 × 28	6.5	23	56	30(30.6)	225
	N Nylon wheel									40(40.8)	175
	UR Urethane wheel with nylon wheel assembly									40(40.8)	185
E-75	RH Rubber wheel	75	21	92	70 × 42	56 × 28	6.5	27	65	40(40.8)	260
	N Nylon wheel									50(51.0)	185
	UR Urethane wheel with nylon wheel assembly									45(45.9)	205
	EL Elastomer wheel									30(30.6)	210
E-100	RH Rubber wheel	100	25	122	100 × 58	82 × 40	8.8	31	82	50(51.0)	540
	NR Rubber wheel with nylon wheel assembly		27							60(61.2)	460
	NRB Rubber wheel with nylon wheel assembly (including B)		27							60(61.2)	500
	N Nylon wheel		25							60(61.2)	390
	UR Urethane wheel with nylon wheel assembly		28							60(61.2)	425
	UHF Urethane wheel with nylon wheel assembly (including B)		27							60(61.2)	470
E-125	EL Elastomer wheel	27	50(51.0)	415							
E-125	RH Rubber wheel	125	25	148	100 × 58	82 × 40	8.8	36	99	50(51.0)	730

- For nylon wheels, black wheels can be manufactured.
- Conductive rubber wheel can be manufactured.
- The antistatic urethane wheel having wheel diameter of φ 100 can be manufactured.
- Trivalent unichrome coating finish is available.

**Wheel in use**

Refer to P155 for detailed specifications.

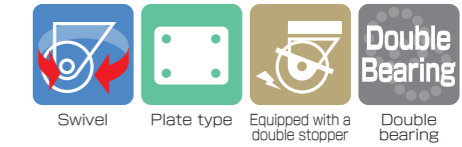
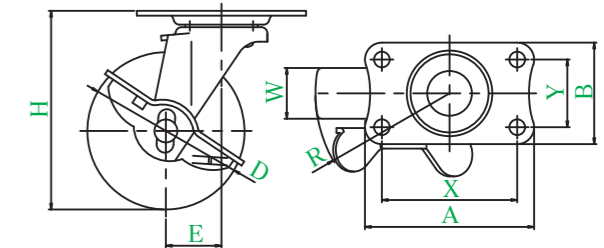


# E-S TYPE

• Equipped with a pedal type single stopper



E-100NS



● Description of product number

**E - 100 N S**

Bracket type  
Wheel diameter  
Wheel type  
Equipped with stopper

(\* 'S' indicates that a stopper is equipped. If wheel type is NRB or UHF, please describe 'DS'.\*)

Bracket = Chrome plating finish

Product number	Wheels	Wheel diameter	Wheel width	Mounting height	Mounting base	Mounting dimensions	Hole diameter	Eccentricity	Turning radius	Allowance load	Wheel weight
		D(mm)	W(mm)	H(mm)	A × B(mm)	X × Y(mm)	P(mm)	E(mm)	R(mm)	daN(kgf)	(g)
E-50	R Rubber wheel	50	20	65	70 × 42	56 × 28	6.5	22	49	30(30.6)	195
	N Nylon wheel		21							40(40.8)	170
	UR S Urethane wheel with nylon wheel assembly		21							38(38.8)	180
	EL Elastomer wheel		20							25(25.5)	170
E-65	RH Rubber wheel	65	21	82	70 × 42	56 × 28	6.5	23	57	30(30.6)	255
	N Nylon wheel									40(40.8)	205
	UR Urethane wheel with nylon wheel assembly									40(40.8)	210
E-75	RH Rubber wheel	75	21	92	70 × 42	56 × 28	6.5	27	65	40(40.8)	290
	N Nylon wheel									50(51.0)	215
	UR S Urethane wheel with nylon wheel assembly									45(45.9)	230
	EL Elastomer wheel									30(30.6)	240
E-100	RH S Rubber wheel	100	25	122	100 × 58	82 × 40	8.8	31	82	50(51.0)	615
	NR S Rubber wheel with nylon wheel assembly		27							60(61.2)	525
	NRB DS Rubber wheel with nylon wheel assembly (including B)		27							60(61.2)	565
	N Nylon wheel		25							60(61.2)	460
	UR S Urethane wheel with nylon wheel assembly		28							60(61.2)	490
	UHF DS Urethane wheel with nylon wheel assembly (including B)		27							60(61.2)	535
E-125	EL S Elastomer wheel	27	50(51.0)	475							
E-125	RH S Rubber wheel	125	25	148	100 × 58	82 × 40	8.8	36	99	50(51.0)	800

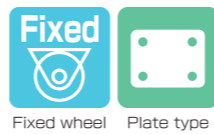
- These casters are used for only locking rotation of the wheel.
- For nylon wheels, black wheels can be manufactured.
- Conductive rubber wheel can be manufactured.
- The antistatic urethane wheel having wheel diameter of φ 100 can be manufactured.
- Trivalent unichrome coating finish is available.

**Wheel in use**

Refer to P155 for detailed specifications.



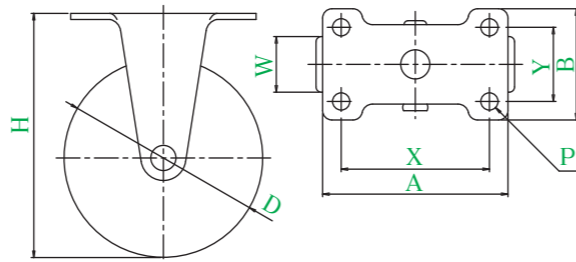
# ER TYPE



ER-100N



ER-75UR



● Description of product number

**ER - 100 N**

Bracket type  
Wheel diameter  
Wheel type

Bracket = Chrome plating finish

Product number	Wheels	Wheel diameter	Wheel width	Mounting height	Mounting base	Mounting dimensions	Hole diameter	Allowance load	Wheel weight
		D(mm)	W(mm)	H(mm)	A × B(mm)	X × Y(mm)	P(mm)	daN(kgf)	(g)
ER-50	R Rubber wheel	50	20	65	70 × 42	56 × 28	6.5	30(30.6)	135
	N Nylon wheel		21					40(40.8)	110
	UR Urethane wheel with nylon wheel assembly		20					38(38.8)	120
	EL Elastomer wheel		20					25(25.5)	110
ER-65	RH Rubber wheel	65	21	82	70 × 42	56 × 28	6.5	30(30.6)	185
	N Nylon wheel							40(40.8)	135
	UR Urethane wheel with nylon wheel assembly							40(40.8)	145
ER-75	RH Rubber wheel	75	21	92	70 × 42	56 × 28	6.5	40(40.8)	215
	N Nylon wheel							50(51.0)	145
	UR Urethane wheel with nylon wheel assembly							45(45.9)	160
	EL Elastomer wheel							30(30.6)	175
ER-100	RH Rubber wheel	100	25	122	100 × 58	82 × 40	8.8	50(51.0)	480
	NR Rubber wheel with nylon wheel assembly		27					60(61.2)	400
	NRB Rubber wheel with nylon wheel assembly (including B)		27					60(61.2)	440
	N Nylon wheel		25					60(61.2)	325
	UR Urethane wheel with nylon wheel assembly		28					60(61.2)	355
	UHF Urethane wheel with nylon wheel assembly (including B)		28					60(61.2)	410
	EL Elastomer wheel		27					50(51.0)	345
ER-125	RH Rubber wheel	125	25	148	100 × 58	82 × 40	8.8	50(51.0)	645

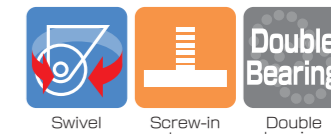
- For nylon wheels, black wheels can be manufactured.
- The antistatic urethane wheel having wheel diameter of φ 100 can be manufactured.
- Conductive rubber wheel can be manufactured.
- Trivalent unichrome coating finish is available.

**Wheel in use**

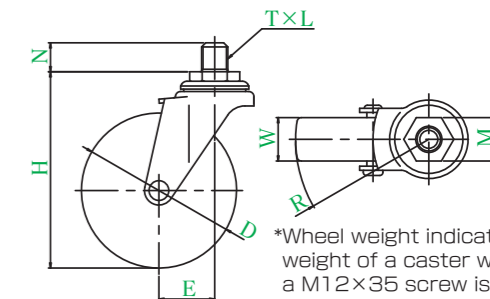
Refer to P155 for detailed specifications.



# ET TYPE



ET-100N, M12 × 35



\*Wheel weight indicates wheel weight of a caster when a M12 × 35 screw is used.

● Description of product number  
Please specify screw type and length.

**ET - 100 N , M12 × 35**

Bracket type  
Wheel diameter  
Wheel type  
Screw  
Length

Bracket = Chrome plating finish

Product number	Wheels	Wheel diameter	Wheel width	Mounting height	Screw	Pitch and threads Per inch	Length	Opposite side	Eccentricity	Turning radius	Allowance load	Wheel weight
		D(mm)	W(mm)	H(mm)	T	L	N(mm)	M(mm)	E(mm)	R(mm)	daN(kgf)	(g)
ET-50	R Rubber wheel	50	20	68	M12	1.75	35	19	22	47	30(30.6)	180
	N Nylon wheel		21								40(40.8)	155
	UR Urethane wheel with nylon wheel assembly		20								38(38.8)	165
	EL Elastomer wheel		20								25(25.5)	155
ET-65	RH Rubber wheel	65	21	85	UNF1/2	20 threads	14	21	23	56	30(30.6)	230
	N Nylon wheel										40(40.8)	180
	UR Urethane wheel with nylon wheel assembly										40(40.8)	190
ET-75	RH Rubber wheel	75	21	95	W3/8	16 threads	14	17	27	65	40(40.8)	260
	N Nylon wheel										50(51.0)	190
	UR Urethane wheel with nylon wheel assembly										45(45.9)	205
	EL Elastomer wheel										30(30.6)	210
ET-100	RH Rubber wheel	100	25	126	M12	1.75	35	21	31	82	50(51.0)	525
	NR Rubber wheel with nylon wheel assembly		27								60(61.2)	445
	NRB Rubber wheel with nylon wheel assembly (including B)		27								60(61.2)	485
	N Nylon wheel		25								60(61.2)	375
	UR Urethane wheel with nylon wheel assembly		28								60(61.2)	405
	UHF Urethane wheel with nylon wheel assembly (including B)		28								60(61.2)	455
	EL Elastomer wheel		27								50(51.0)	400
ET-125	RH Rubber wheel	125	25	152	W3/4	10 threads	40	23	36	99	50(51.0)	715

- For nylon wheels, black wheels can be manufactured.
- Conductive rubber wheel can be manufactured.
- The antistatic urethane wheel having wheel diameter of φ 100 can be manufactured.
- Some types of screws may not be in stock.
- For W3/8 screw, the maximum allowable load is 35daN (35.7kgf).
- Allowable load is the allowable load when the stem is screwed in to the end.
- Trivalent unichrome coating finish is available.
- ★ Refer to P7 for the mounting method.

**Wheel in use**

Refer to P155 for detailed specifications.



# ET-S TYPE

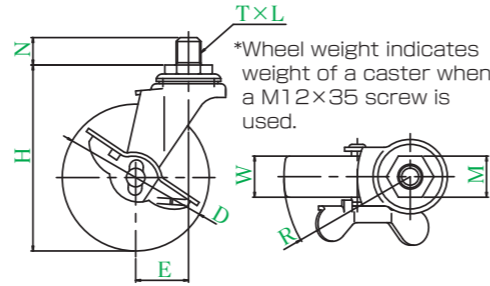
• Equipped with a pedal type single stopper



ET-100RHS, M16×40



ET-100UHFD, M16×40



\*Wheel weight indicates weight of a caster when a M12×35 screw is used.

● Description of product number  
Please specify screw type and length.

**ET - 100 UHF S , M16 × 40**

Bracket type	Wheel diameter	Wheel type	Equipped with stopper	Screw	Length

(\* "S" indicates that a stopper is equipped. If wheel type is NRB or UHF, please describe "DS".)

Bracket = Chrome plating finish

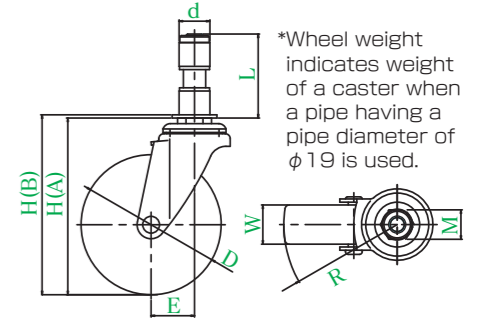
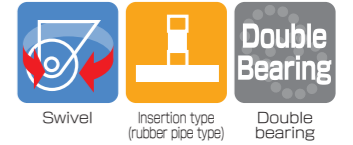
Product number	Wheels	Wheel diameter	Wheel width	Mounting height	Screw	Pitch and threads Per inch	Length	Opposite side	Eccentricity	Turning radius	Allowance load	Wheel weight
		D(mm)	W(mm)	H(mm)	T	L	N(mm)	M(mm)	E(mm)	R(mm)	daN(kgf)	(g)
ET-50	R	50	20	68	M12	1.75	35	19	22	49	30(30.6)	200
	N		40(40.8)								180	
	UR		21								38(38.8)	185
	EL		20								25(25.5)	175
ET-65	RH	65	21	85	UNF1/2	20 threads	14	21	23	57	30(30.6)	260
	N		40(40.8)								205	
	UR		21								40(40.8)	215
	EL		21								40(40.8)	295
ET-75	RH	75	21	95	W3/8	16 threads	14	17	27	65	40(40.8)	295
	N		50(51.0)								220	
	UR		21								45(45.9)	235
	EL		21								30(30.6)	240
ET-100	RH	100	25	126	M12	1.75	35	21	31	82	50(51.0)	600
	NR		27								60(61.2)	510
	NRB		25								60(61.2)	550
	N		25								60(61.2)	435
	UR		28								60(61.2)	470
	UHF		28								60(61.2)	520
ET-125	RH	125	25	152	W3/4	10 threads	40	23	36	99	50(51.0)	790
	S		50(51.0)								790	

- For nylon wheels, black wheels can be manufactured.
- Conductive rubber wheel can be manufactured.
- The antistatic urethane wheel having wheel diameter of φ 100 can be manufactured.
- Some types of screws may not be in stock.
- For W3/8 screw, the maximum allowable load is 35daN (35.7kgf).
- These casters are used for only locking rotation of the wheel.
- Allowable load is the allowable load when the stem is screwed in to the end.
- Trivalent unichrome coating finish is available.
- ★ Refer to P7 for the mounting method.

Wheel in use Refer to P155 for detailed specifications.



# ETF TYPE



\*Wheel weight indicates weight of a caster when a pipe diameter of φ 19 is used.

● Description of product number  
Please specify the pipe diameter.

**ETF - 100 UR , φ 22**

Bracket type	Wheel diameter	Wheel type	Pipe diameter

Bracket = Chrome plating finish

Product number	Wheels	Wheel diameter	Wheel width	Mounting height	Pipe diameter	Axis length	Opposite side	Eccentricity	Turning radius	Allowance load	Wheel weight
		D(mm)	W(mm)	H(mm)	d(mm)	L(mm)	M(mm)	E(mm)	R(mm)	daN(kgf)	(g)
ETF-100	RH	100	25	A = 126 B = 128	19	60	21	31	82	50(51.0)	580
	NR		27							60(61.2)	500
	NRB		25							60(61.2)	540
	N		25							60(61.2)	385
	UR		28							60(61.2)	465
	UHF		28							60(61.2)	530
ETF-125	RH	125	25	A = 152 B = 154	34	60	21	36	99	50(51.0)	770
	S		50(51.0)							770	

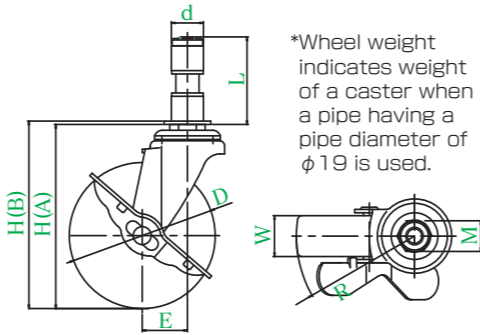
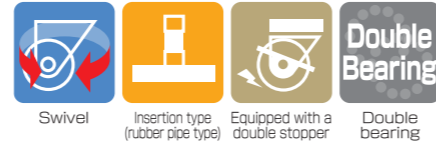
- For nylon wheels, black wheels can be manufactured.
- Trivalent unichrome coating finish is available.
- ★ Refer to P8 for the mounting method.

Wheel in use Refer to P155 for detailed specifications.



# ETF-S TYPE

• Equipped with a pedal type single stopper



\*Wheel weight indicates weight of a caster when a pipe having a pipe diameter of  $\phi 19$  is used.

● Description of product number  
Please specify the pipe diameter.

**ETF - 100 N S ,  $\phi 22$**

Bracket type	Wheel diameter	Wheel stopper type	Equipped with stopper	Pipe diameter
--------------	----------------	--------------------	-----------------------	---------------

(\* 'S' indicates that a stopper is equipped.  
If wheel type is NRB or UHF, please describe 'DS'.)

Bracket = Chrome plating finish

Product number	Wheels	Wheel diameter	Wheel width	Mounting height	Pipe diameter	Axis length	Opposite side	Eccentricity	Turning radius	Allowance load	Wheel weight
		D(mm)	W(mm)	H(mm)	d(mm)	L(mm)	M(mm)	E(mm)	R(mm)	daN(kgf)	(g)
ETF-100	RH S Rubber wheel	100	25	A = 126 B = 128	19	60	21	31	82	50(51.0)	650
	NR S Rubber wheel with nylon wheel assembly		27							60(61.2)	570
	NRB DS Rubber wheel with nylon wheel assembly (including B)		25							60(61.2)	605
	N S Nylon wheel		28							60(61.2)	495
	UR S Urethane wheel with nylon wheel assembly		28							60(61.2)	525
	UHF DS Urethane wheel with nylon wheel assembly (including B)		34							60	21
ETF-125	EL S Elastomer wheel	125	25	A = 152 B = 154				36	99	50(51.0)	520
	RH S Rubber wheel	25	50(51.0)							840	

- These casters are used for only locking rotation of the wheel.
- For nylon wheels, black wheels can be manufactured.
- Trivalent unichrome coating finish is available.
- ★ Refer to P8 for the mounting method.

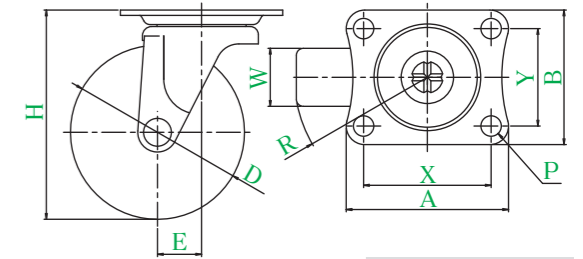
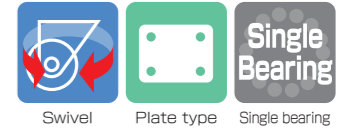
**Wheel in use** Refer to P155 for detailed specifications.



# G TYPE



There are some non-conforming products.



G-50UR

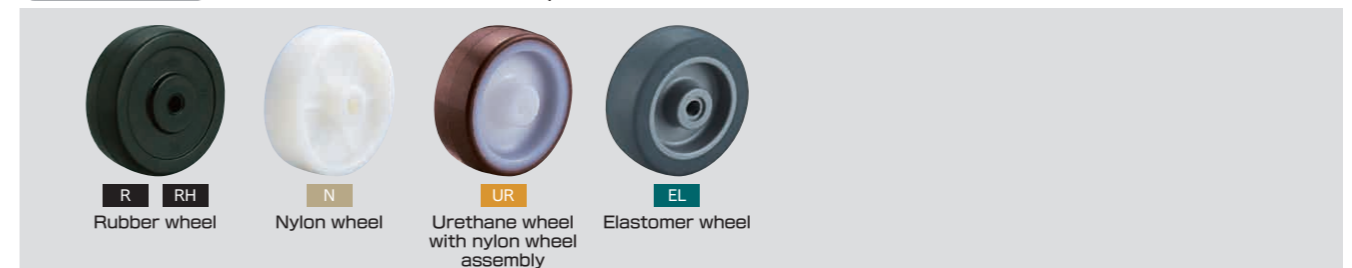
● Description of product number  
**G - 50 N**  
Bracket type Wheel diameter Wheel type

Notice of revision of specifications: For casters that will be shipped after April 2012, surface treatment will be changed from chrome plating to trivalent unichrome coating. Bracket = Trivalent unichrome coating

Product number	Wheels	Wheel diameter	Wheel width	Mounting height	Mounting base	Mounting dimensions	Hole diameter	Eccentricity	Turning radius	Allowance load	Wheel weight
		D(mm)	W(mm)	H(mm)	A × B(mm)	X × Y(mm)	P(mm)	E(mm)	R(mm)	daN(kgf)	(g)
G-25	R Rubber wheel	25	12	35	35 × 30	28 × 23	4.2	8	21	8(8.2)	35
	N Nylon wheel									10(10.2)	35
	UR Urethane wheel with nylon wheel assembly									10(10.2)	35
G-32	R Rubber wheel	32	14	42	38 × 32	30 × 24	4.2	10	27	12(12.2)	50
	N Nylon wheel									18(18.4)	50
	UR Urethane wheel with nylon wheel assembly									18(18.4)	50
G-38	R Rubber wheel	38	17	50	46 × 38	36 × 28	5.3	12	32	20(20.4)	80
	N Nylon wheel									28(28.6)	75
	UR Urethane wheel with nylon wheel assembly									28(28.6)	75
G-50	R Rubber wheel	50	20	65	59 × 47	46 × 35	6.5	16	42	30(30.6)	165
	N Nylon wheel									38(38.8)	145
	UR Urethane wheel with nylon wheel assembly									38(38.8)	150
G-65	EL Elastomer wheel	65	25	80	70 × 58	55 × 42	8.8	21	54	25(25.5)	140
	RH Rubber wheel									40(40.8)	300
	N Nylon wheel									55(56.1)	240
G-75	UR Urethane wheel with nylon wheel assembly	75	26	90	70 × 58	55 × 42	8.8	21	59	55(56.1)	260
	EL Elastomer wheel									40(40.8)	
	RH Rubber wheel									50(51.0)	345
	N Nylon wheel									65(66.3)	255
G-75	UR Urethane wheel with nylon wheel assembly	75	27	90	70 × 58	55 × 42	8.8	21	59	65(66.3)	280
	EL Elastomer wheel									50(51.0)	280

- Conductive rubber wheel having wheel diameter of  $\phi 50$  and  $\phi 75$  can be manufactured.
- For nylon wheels having a wheel diameter of  $\phi 50$  to  $\phi 75$ , black wheels can be manufactured.
- For casters having a wheel diameter of  $\phi 50$  to  $\phi 75$ , chrome plating finish is available.

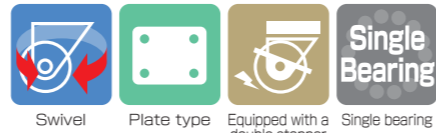
**Wheel in use** Refer to P156 for detailed specifications.



# G-S TYPE



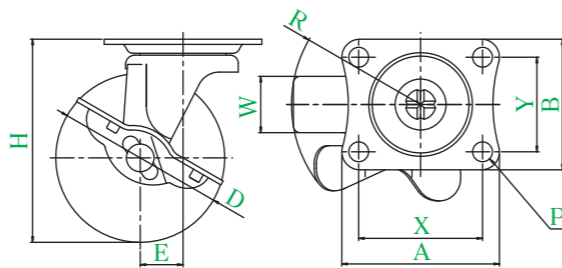
There are some non-conforming products.



• Equipped with a pedal type single stopper



G-75RHS



● Description of product number

**G - 65 RH S**

Bracket type  
Wheel diameter  
Wheel type  
Equipped with stopper

Notice of revision of specifications: For casters that will be shipped after April 2012, surface treatment will be changed from chrome plating to trivalent unichrome coating. Bracket = Trivalent unichrome coating

Product number	Wheels	Wheel diameter	Wheel width	Mounting height	Mounting base	Mounting dimensions	Hole diameter	Eccentricity	Turning radius	Allowance load	Wheel weight
		D(mm)	W(mm)	H(mm)	A × B(mm)	X × Y(mm)	P(mm)	E(mm)	R(mm)	daN(kgf)	(g)
G-38	R Rubber wheel	38	17	50	46 × 38	36 × 28	5.3	12	45	20(20.4)	95
	N Nylon wheel		16							28(28.6)	90
	UR Urethane wheel with nylon wheel assembly		16							28(28.6)	90
G-50	R Rubber wheel	50	20	65	59 × 47	46 × 35	6.5	16	50	30(30.6)	195
	N Nylon wheel		21							38(38.8)	170
	UR Urethane wheel with nylon wheel assembly		21							38(38.8)	180
	EL Elastomer wheel		20							25(25.5)	170
G-65	RH Rubber wheel	65	25	80	70 × 58	55 × 42	8.8	21	59	40(40.8)	350
	N Nylon wheel		25							55(56.1)	275
	UR Urethane wheel with nylon wheel assembly		25							55(56.1)	310
	EL Elastomer wheel		27							40(40.8)	170
G-75	RH Rubber wheel	75	25	90	70 × 58	55 × 42	8.8	21	59	50(51.0)	390
	N Nylon wheel		25							65(66.3)	295
	UR Urethane wheel with nylon wheel assembly		26							65(66.3)	320
	EL Elastomer wheel		27							50(51.0)	320

- These casters are used for only locking rotation of the wheel.
- Conductive rubber wheel having wheel diameter of φ 50 and φ 75 can be manufactured.
- For nylon wheels having a wheel diameter of φ 50 to φ 75, black wheels can be manufactured.
- For casters having a wheel diameter of φ 50 to φ 75, chrome plating finish is available.

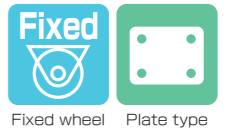
**Wheel in use** Refer to P156 for detailed specifications.



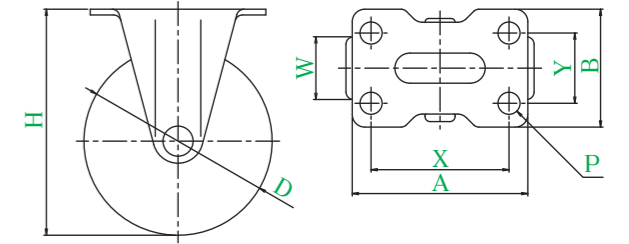
# GR TYPE



There are some non-conforming products.



GR-65N



● Description of product number  
**GR - 75 UR**  
Bracket type  
Wheel diameter  
Wheel type

Notice of revision of specifications: For casters that will be shipped after April 2012, surface treatment will be changed from chrome plating to trivalent unichrome coating. Bracket = Trivalent unichrome coating

Product number	Wheels	Wheel diameter	Wheel width	Mounting height	Mounting base	Mounting dimensions	Hole diameter	Allowance load	Wheel weight
		D(mm)	W(mm)	H(mm)	A × B(mm)	X × Y(mm)	P(mm)	daN(kgf)	(g)
GR-25	R Rubber wheel	25	12	35	36 × 18	29 × 0	4.2	8(8.2)	25
	N Nylon wheel							10(10.2)	25
	UR Urethane wheel with nylon wheel assembly							10(10.2)	25
GR-32	R Rubber wheel	32	14	42	36 × 20	29 × 0	4.2	12(12.2)	35
	N Nylon wheel							18(18.4)	35
	UR Urethane wheel with nylon wheel assembly							18(18.4)	35
GR-38	R Rubber wheel	38	17	50	46 × 25	36 × 15	5.3	20(20.4)	55
	N Nylon wheel		16					28(28.6)	50
	UR Urethane wheel with nylon wheel assembly		16					28(28.6)	55
GR-50	R Rubber wheel	50	20	65	58 × 40	45 × 25	6.5	30(30.6)	125
	N Nylon wheel		21					38(38.8)	95
	UR Urethane wheel with nylon wheel assembly		21					38(38.8)	105
	EL Elastomer wheel		20					25(25.5)	100
GR-65	RH Rubber wheel	65	25	80	70 × 47	55 × 28	8.8	40(40.8)	225
	N Nylon wheel		25					55(56.1)	165
	UR Urethane wheel with nylon wheel assembly		25					55(56.1)	185
	EL Elastomer wheel		27					40(40.8)	170
GR-75	RH Rubber wheel	75	25	90	70 × 47	55 × 28	8.8	50(51.0)	275
	N Nylon wheel		25					65(66.3)	185
	UR Urethane wheel with nylon wheel assembly		26					65(66.3)	210
	EL Elastomer wheel		27					50(51.0)	210

- Conductive rubber wheel having wheel diameter of φ 50 and φ 75 can be manufactured.
- For nylon wheels having a wheel diameter of φ 50 to φ 75, black wheels can be manufactured.
- For casters having a wheel diameter of φ 50 to φ 75, chrome plating finish is available.

**Wheel in use** Refer to P156 for detailed specifications.



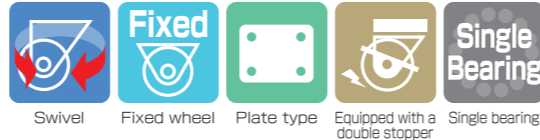
# GTYPE

## Polycarbonate wheel

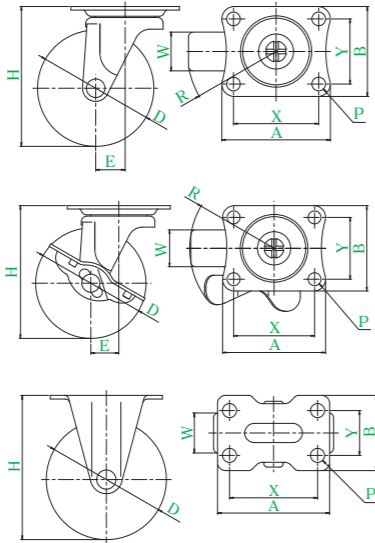


There are some non-conforming products.

Colors of G series wheels can be selected!



G-50PC-G



● Description of product number

**G - 50 PC S - color symbol**

Bracket type  
Wheel diameter  
Wheel type  
Availability of a stopper  
\*The following color symbols shall be entered at the end of the product number.  
Transparent ...C  
Red ...R  
Green ...G

### G type specifications

Bracket = Trivalent unichrome coating (wheel diameter: φ 25 to φ 38)  
Chrome plating finish (wheel diameter: φ 50)

Product number	Wheels	Wheel diameter	Wheel width	Mounting height	Mounting base	Mounting dimensions	Hole diameter	Eccentricity	Turning radius	Allowance load	Wheel weight		
		D(mm)	(mm)	H(mm)	A × B(mm)	X × Y(mm)	P(mm)	E(mm)	(mm)	daN(kgf)	(g)		
G-25	PC	-Color symbol	Polycarbonate wheel	25	12	35	35 × 30	28 × 23	4.2	8	21	10(10.2)	30
G-38	PC	-Color symbol	Polycarbonate wheel	38	16	50	46 × 38	36 × 28	5.3	12	32	28(28.6)	75
G-50	PC	-Color symbol	Polycarbonate wheel	50	21	65	59 × 47	46 × 35	6.5	16	42	38(38.8)	110
G-38	PC S	-Color symbol	Polycarbonate wheel	38	16	50	46 × 38	36 × 28	5.3	12	45	28(28.6)	105
G-50	PC S	-Color symbol	Polycarbonate wheel	50	21	65	59 × 47	46 × 35	6.5	16	50	38(38.8)	135

- If the symbol "S" is entered at the end of the product number, the caster is equipped with a stopper that only locks rotation of a wheel.
- For casters having a wheel diameter of φ 50, Trivalent unichrome coating is available.

### Specifications of GR type

Bracket = Trivalent unichrome coating (wheel diameter: φ 25 to φ 38)  
Chrome plating finish (wheel diameter: φ 50)

Product number	Wheels	Wheel diameter	Wheel width	Mounting height	Mounting base	Mounting dimensions	Hole diameter	Allowance load	Wheel weight		
		D(mm)	(mm)	H(mm)	A × B(mm)	X × Y(mm)	P(mm)	daN(kgf)	(g)		
GR-25	PC	-Color symbol	Polycarbonate wheel	25	12	35	36 × 18	29 × 0	4.2	10(10.2)	25
GR-38	PC	-Color symbol	Polycarbonate wheel	38	16	50	46 × 25	36 × 15	5.3	28(28.6)	50
GR-50	PC	-Color symbol	Polycarbonate wheel	50	21	65	58 × 40	45 × 25	6.5	38(38.8)	95

- For casters having a wheel diameter of φ 50, Trivalent unichrome coating is available.

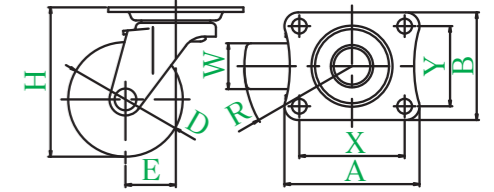
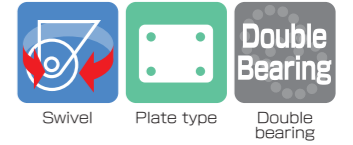
Wheel in use

Refer to P156 for detailed specifications.



PC-C Polycarbonate wheel (transparent)  
PC-R Polycarbonate wheel (Red)  
PC-G Polycarbonate wheel (Green)

# LGTYPE



LG-50R

● Description of product number

**LG - 50 R**

Bracket type  
Wheel diameter  
Wheel type

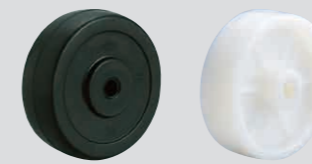
Bracket = Trivalent unichrome coating

Product number	Wheels	Wheel diameter	Wheel width	Mounting height	Mounting base	Mounting dimensions	Hole diameter	Eccentricity	Turning radius	Allowance load	Wheel weight	
		D(mm)	W(mm)	H(mm)	A × B(mm)	X × Y(mm)	P(mm)	E(mm)	R(mm)	daN(kgf)	(g)	
LG-50	R	Rubber wheel	50	20	65	59 × 47	46 × 35	6.5	22	47	30(30.6)	160
	N	Nylon wheel	21	40(40.8)							135	

- Conductive rubber wheel can be manufactured.
- For nylon wheels, black wheels can be manufactured.

Wheel in use

Refer to P157 for detailed specifications.



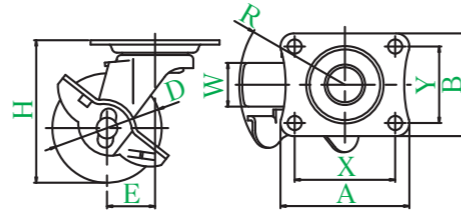
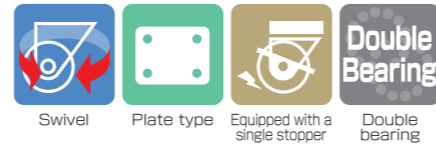
R Rubber wheel  
N Nylon wheel

# LG-S TYPE

• Equipped with a pedal type single stopper



LG-50NS



● Description of product number

**LG - 50 R S**

Bracket type | Wheel diameter | Wheel type | Equipped with stopper

Bracket = Trivalent unichrome coating

Product number	Wheels	Wheel diameter	Wheel width	Mounting height	Mounting base	Mounting dimensions	Hole diameter	Eccentricity	Turning radius	Allowance load	Wheel weight
		D(mm)	W(mm)	H(mm)	A × B(mm)	X × Y(mm)	P(mm)	E(mm)	R(mm)	daN(kgf)	(g)
LG-50	R Rubber wheel	50	20	65	59 × 47	46 × 35	6.5	22	49	30(30.6)	180
	N Nylon wheel		21							40(40.8)	155

- These casters are used for only locking rotation of the wheel.
- Conductive rubber wheel can be manufactured.
- For nylon wheels, black wheels can be manufactured.

**Wheel in use**

Refer to P157 for detailed specifications.

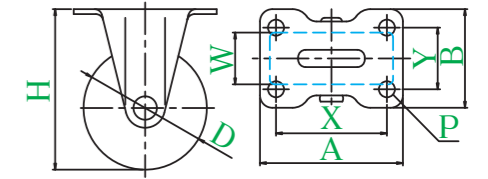
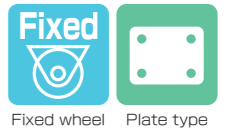


R  
Rubber wheel



N  
Nylon wheel

# LR TYPE



● Description of product number

**LR - 50 R**

Bracket type | Wheel diameter | Wheel type

Bracket = Trivalent unichrome coating

Product number	Wheels	Wheel diameter	Wheel width	Mounting height	Mounting base	Mounting dimensions	Hole diameter	Allowance load	Wheel weight
		D(mm)	W(mm)	H(mm)	A × B(mm)	X × Y(mm)	P(mm)	daN(kgf)	(g)
LR-50	R Rubber wheel	50	20	65	58 × 40	45 × 25	6.5	30(30.6)	125
	N Nylon wheel		21					40(40.8)	100

- Conductive rubber wheel can be manufactured.
- For nylon wheels, black wheels can be manufactured.

**Wheel in use**

Refer to P157 for detailed specifications.



R  
Rubber wheel

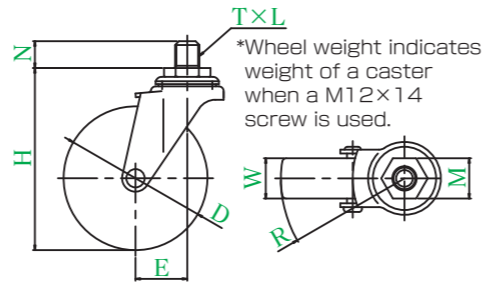


N  
Nylon wheel

# LT TYPE



LT-50N, M12×14



\*Wheel weight indicates weight of a caster when a M12×14 screw is used.

● Description of product number  
Please specify screw type and length.

**LT - 50 N , M12 × 14**

Bracket type	Wheel diameter	Wheel type	Screw	Length
--------------	----------------	------------	-------	--------

Bracket = Trivalent unichrome coating

Product number	Wheels	Wheel diameter	Wheel width	Mounting height	Screw	Pitch and threads per inch	Length	Opposite side	Eccentricity	Turning radius	Allowance load	Wheel weight				
		D(mm)	W(mm)	H(mm)	T	L	N(mm)	M(mm)	E(mm)	R(mm)	daN(kgf)	(g)				
LT-40	R Rubber wheel	40	17	59	M12	1.25	14	19	21	41	25(25.5)	135				
LT-50	R Rubber wheel	50	20	68	UNF1/2	20 threads	14	21	22	47	30(30.6)	145				
	N Nylon wheel		21		W3/8	16 threads	14	17			30(30.6)	125				
LT-65	RH Rubber wheel	65	21	85	M12	1.25	14	19	23	56	30(30.6)	190				
	N Nylon wheel										40(40.8)	150				
	UR Urethane wheel with nylon wheel assembly										M12	1.75	35	19	40(40.8)	155
LT-75	RH Rubber wheel	75	21	95	UNF1/2	20 threads	14	21	27	65	40(40.8)	245				
	N Nylon wheel										W3/8	16 threads	14	17	50(51.0)	180
	UR Urethane wheel with nylon wheel assembly														45(45.9)	190

- Conductive rubber wheel having wheel diameter of φ 50 and φ 75 can be manufactured.
- For nylon wheels having a wheel diameter of φ 50 to φ 75, black wheels can be manufactured.
- Some types of screws may not be in stock.
- For W3/8 screw, the maximum allowable load is 35daN (35.7kgf).
- Allowable load is the allowable load when the stem is screwed in to the end.
- ★ Refer to P7 for the mounting method.

### Wheel in use

Refer to P157 for detailed specifications.

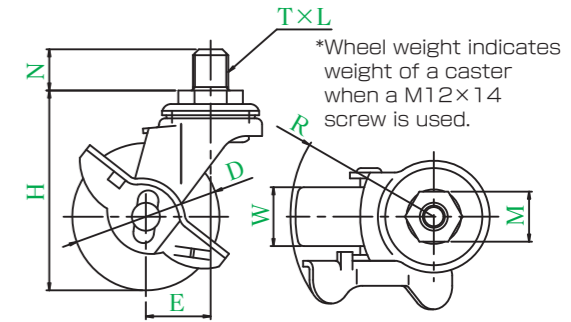


# LT-S TYPE

• Equipped with a pedal type single stopper



LT-50RS, M12×14



\*Wheel weight indicates weight of a caster when a M12×14 screw is used.

● Description of product number  
Please specify screw type and length.

**LT - 75 RH S , M12 × 14**

Bracket type	Wheel diameter	Wheel type	Equipped with stopper	Screw	Length
--------------	----------------	------------	-----------------------	-------	--------

Bracket = Trivalent unichrome coating

Product number	Wheels	Wheel diameter	Wheel width	Mounting height	Screw	Pitch and threads per inch	Length	Opposite side	Eccentricity	Turning radius	Allowance load	Wheel weight				
		D(mm)	W(mm)	H(mm)	T	L	N(mm)	M(mm)	E(mm)	R(mm)	daN(kgf)	(g)				
LT-40	R S Rubber wheel	40	17	59	M12	1.25	14	19	21	50	25(25.5)	155				
LT-50	R S Rubber wheel	50	20	68	UNF1/2	20 threads	14	21	22	49	30(30.6)	170				
	N S Nylon wheel		21		W3/8	16 threads	14	17			30(30.6)	150				
LT-65	RH Rubber wheel	65	21	85	M12	1.25	14	19	23	57	30(30.6)	230				
	N S Nylon wheel										40(40.8)	170				
	UR Urethane wheel with nylon wheel assembly										M12	1.75	35	19	40(40.8)	185
LT-75	RH Rubber wheel	75	21	95	UNF1/2	20 threads	14	21	27	65	40(40.8)	280				
	N S Nylon wheel										W3/8	16 threads	14	17	50(51.0)	210
	UR Urethane wheel with nylon wheel assembly														45(45.9)	220

- These casters are used for only locking rotation of the wheel.
- Conductive rubber wheel having wheel diameter of φ 50 and φ 75 can be manufactured.
- For nylon wheels having a wheel diameter of φ 50 to φ 75, black wheels can be manufactured.
- Some types of screws may not be in stock.
- For W3/8 screw, the maximum allowable load is 35daN (35.7kgf).
- Allowable load is the allowable load when the stem is screwed in to the end.
- ★ Refer to P7 for the mounting method.

### Wheel in use

Refer to P157 for detailed specifications.

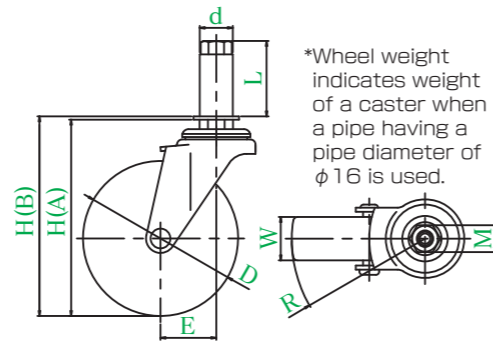


# LTF TYPE



LTF-50R, φ 16

LTF-50N, φ 24



\*Wheel weight indicates weight of a caster when a pipe having a pipe diameter of φ 16 is used.

● Description of product number  
Please specify the pipe diameter.

### LTF - 50 R , φ 16

Bracket type  
Wheel diameter  
Wheel type  
Pipe diameter

Bracket = Trivalent unichrome coating

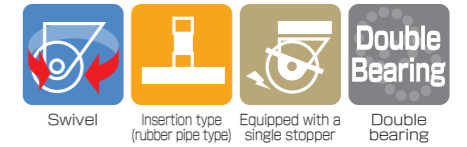
Product number	Wheels	Wheel diameter	Wheel width	Mounting height	Pipe diameter	Axis length	Opposite side	Eccentricity	Turning radius	Allowance load	Wheel weight
		D(mm)	W(mm)	H(mm)	d(mm)	L(mm)	M(mm)	E(mm)	R(mm)	daN(kgf)	(g)
LTF-40	R Rubber wheel	40	17	A = 59 B = 60				21	41	20(20.4)	145
LTF-50	R Rubber wheel	50	20	A = 68 B = 70	16	38	14	22	47	30(30.6)	190
	N Nylon wheel		21							30(30.6)	170
LTF-65	RH Rubber wheel	65	21	A = 85 B = 87	18	38	14	23	56	30(30.6)	235
	N Nylon wheel									40(40.8)	195
	UR Urethane wheel with nylon wheel assembly									35(35.7)	200
LTF-75	RH Rubber wheel	75	21	A = 95 B = 97	24	38	14	27	65	40(40.8)	260
	N Nylon wheel									50(51.0)	195
	UR Urethane wheel with nylon wheel assembly									45(45.9)	205
	EL Elastomer wheel									30(30.6)	

● For nylon wheels having a wheel diameter of φ 50 to φ 75, black wheels can be manufactured.  
★ Refer to P8 for the mounting method.

Wheel in use Refer to P157 for detailed specifications.



# LTF-S TYPE

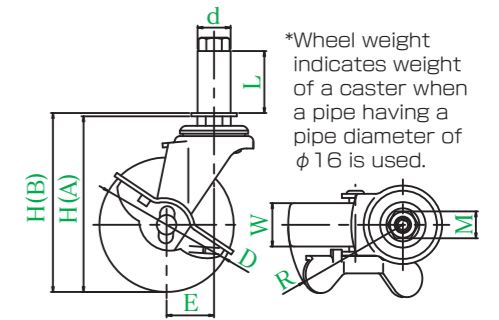


• Equipped with a pedal type single stopper



LTF-50NS, φ 22

LTF-50NS, φ 24



\*Wheel weight indicates weight of a caster when a pipe having a pipe diameter of φ 16 is used.

● Description of product number  
Please specify the pipe diameter.

### LTF - 50 NS , φ 22

Bracket type  
Wheel diameter  
Wheel type  
Equipped with stopper  
Pipe diameter

Bracket = Trivalent unichrome coating

Product number	Wheels	Wheel diameter	Wheel width	Mounting height	Pipe diameter	Axis length	Opposite side	Eccentricity	Turning radius	Allowance load	Wheel weight
		D(mm)	W(mm)	H(mm)	d(mm)	L(mm)	M(mm)	E(mm)	R(mm)	daN(kgf)	(g)
LTF-40	R S Rubber wheel	40	17	A = 59 B = 60				21	50	20(20.4)	165
LTF-50	R S Rubber wheel	50	20	A = 68 B = 70	16	38	14	22	49	30(30.6)	240
	N S Nylon wheel		21							30(30.6)	220
LTF-65	RH Rubber wheel	65	21	A = 85 B = 87	18	38	14	23	57	30(30.6)	305
	N S Nylon wheel									40(40.8)	245
	UR Urethane wheel with nylon wheel assembly									35(35.7)	270
LTF-75	RH Rubber wheel	75	21	A = 95 B = 97	24	38	14	27	65	40(40.8)	290
	N S Nylon wheel									50(51.0)	225
	UR Urethane wheel with nylon wheel assembly									45(45.9)	235
	EL Elastomer wheel									30(30.6)	

● These casters are used for only locking rotation of the wheel.  
● For nylon wheels having a wheel diameter of φ 50 to φ 75, black wheels can be manufactured.  
★ Refer to P8 for the mounting method.

Wheel in use Refer to P157 for detailed specifications.



## SA TYPE



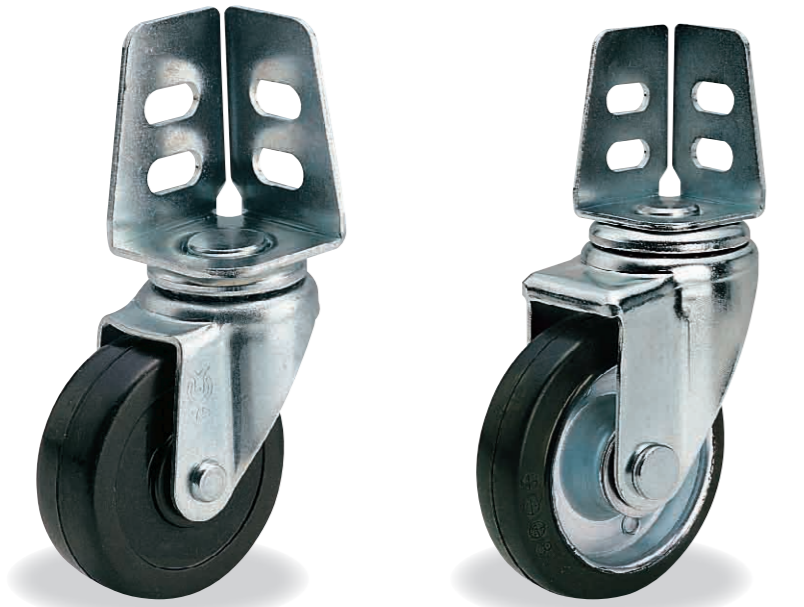
There are some non-conforming products.



● Description of product number

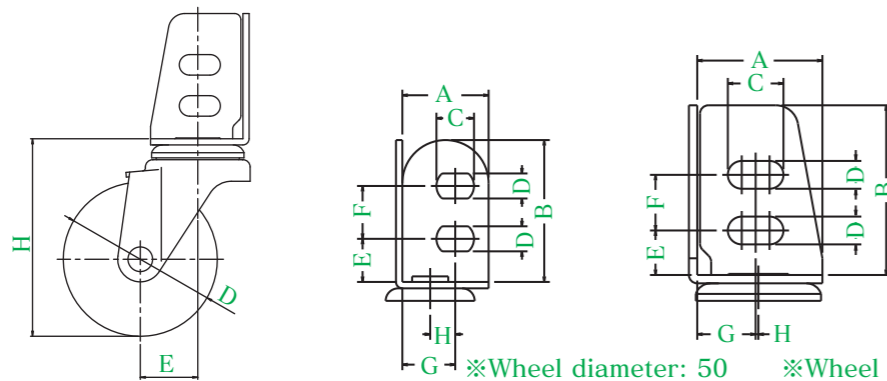
### SA - 75 RH

Bracket type  
Wheel diameter  
Wheel type



SA-75RH

SA-100W



※Wheel diameter: 50    ※Wheel diameter: 65 to 100

### Table of specifications of angle

Wheel diameter	A	B	C	D	E	F	G	H
(mm)	(mm)	(mm)	(mm)	(mm)	(mm)	(mm)	(mm)	(mm)
50	31	51	13.5	9	15.5	19	19	4
65	45	61	20	10	16	20	21	1
75								
100								

Bracket = Trivalent unichrome coating

Product number	Wheels	Wheel diameter	Wheel width	Mounting height	Eccentricity	Turning radius	Allowance load	Wheel weight
		D(mm)	W(mm)	H(mm)	E(mm)	R(mm)	daN(kgf)	(g)
SA-50	R Rubber wheel	50	20	65	22	47	30(30.6)	160
	N Nylon wheel		21				40(40.8)	135
SA-65	RH Rubber wheel	65	25	88	27	61	50(51.0)	465
	N Nylon wheel						60(61.2)	415
	UR Urethane wheel with nylon wheel assembly		40(40.8)				425	
	EL Elastomer wheel							
SA-75	RH Rubber wheel	75	25	96	28	66	60(61.2)	505
	NR Rubber wheel with nylon wheel assembly		27				60(61.2)	435
	NRB Rubber wheel with nylon wheel assembly (including B)		26				60(61.2)	475
	N Nylon wheel						60(61.2)	420
	UR Urethane wheel with nylon wheel assembly		27				60(61.2)	445
	UHF Urethane wheel with nylon wheel assembly (including B)						50(51.0)	445
SA-100	EL Elastomer wheel	100	32	132	32	82	90(91.8)	940
	W Rubber wheel with steel plate wheel assembly (including B)						90(91.8)	890
	WP Rubber wheel with steel plate wheel assembly						90(91.8)	825
	NR Rubber wheel with nylon wheel assembly (including B)					83		
	N Nylon wheel					82	90(91.8)	860
	NB Nylon wheel (including B)						90(91.8)	1030
	UW Urethane wheel with steel plate wheel assembly (including B)					82	90(91.8)	840
GU Urethane wheel with nylon wheel assembly (including B)								

- Conductive rubber wheel can be manufactured.
- The antistatic urethane wheel assembly (including B) having a wheel diameter of φ 100 can be manufactured.
- For nylon wheels having a wheel diameter of φ 50 to φ 75, black wheels can be manufactured.
- ★ Refer to P8 for the mounting method.

### Wheel in use Wheel diameter: φ50 to φ75

Refer to P157 for detailed specifications.



### Wheel in use Wheel diameter: φ 100

Refer to P158 for detailed specifications.



# SA-S TYPE



There are some non-conforming products.



• Equipped with a pedal type single stopper

● Description of product number

**SA - 75 RH S**

Bracket type  
Wheel diameter  
Wheel type  
Equipped with stopper

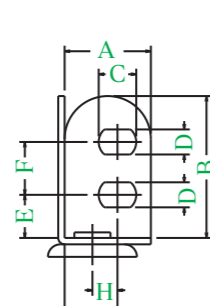
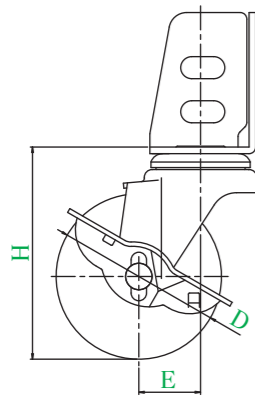
(\* 'S' indicates that a stopper is equipped. If wheel type is NRB or UHF, please describe 'DS'.\*)



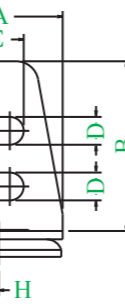
SA-75RHS



SA-100WS



※Wheel diameter: 50



※Wheel diameter: 65 to 100

## Table of specifications of angle

Wheel diameter (mm)	A (mm)	B (mm)	C (mm)	D (mm)	E (mm)	F (mm)	G (mm)	H (mm)
50	31	51	13.5	9	15.5	19	19	4
65	45	61	20	10	16	20	21	1
75								
100								

Bracket = Trivalent unichrome coating

Product number	Wheels	Wheel diameter	Wheel width	Mounting height	Eccentricity	Turning radius	Allowance load	Wheel weight
		D(mm)	W(mm)	H(mm)	E(mm)	R(mm)	daN(kgf)	(g)
SA-50	R S	50	20	65	22	49	30(30.6)	210
	N S		21				40(40.8)	185
SA-65	RH S	65	25	88	27	68	50(51.0)	520
	N S						60(61.2)	470
	UR S		27				60(61.2)	480
	EL S						40(40.8)	480
SA-75	RH S	75	25	96	28	68	60(61.2)	560
	NR S		27				60(61.2)	505
	NRB DS						70	60(61.2)
	N S		68					60(61.2)
	UR S						26	60(61.2)
	UHF DS		70					60(61.2)
SA-100	EL S	100	32	132	32	86	50(51.0)	500
	W S						90(91.8)	1050
	WP S						90(91.8)	1000
	NR S						90(91.8)	935
	N S						90(91.8)	850
	NB S						90(91.8)	945
	UW S						90(91.8)	1140
GU S	90(91.8)	950						

- These casters are used for only locking rotation of the wheel.
- Conductive rubber wheel can be manufactured.
- The antistatic urethane wheel assembly (including B) having a wheel diameter of φ 100 can be manufactured.
- For nylon wheels having a wheel diameter of φ 50 to φ 75, black wheels can be manufactured.
- ★ Refer to P8 for the mounting method.

Wheel in use Wheel diameter: φ50 to φ75

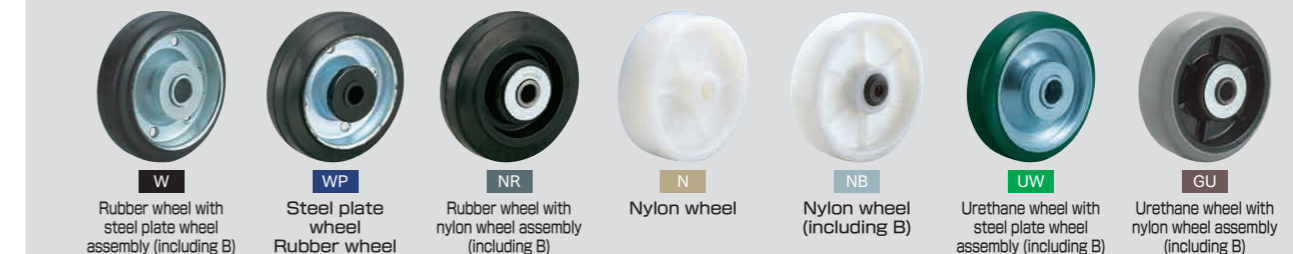
Refer to P157 for detailed specifications.



R Rubber wheel, RH Rubber wheel with nylon wheel assembly, NR Rubber wheel with nylon wheel assembly (including B), NRB Rubber wheel with nylon wheel assembly (including B), N Nylon wheel, UR Urethane wheel with nylon wheel assembly, UHF Urethane wheel with nylon wheel assembly (including B), EL Elastomer wheel

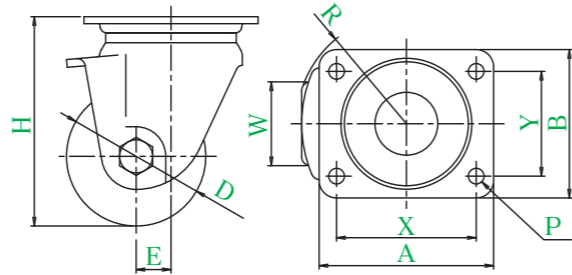
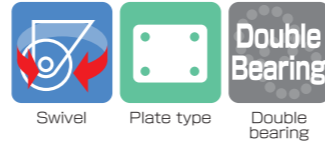
Wheel in use Wheel diameter: φ 100

Refer to P158 for detailed specifications.



W Rubber wheel with steel plate wheel assembly (including B), WP Steel plate wheel Rubber wheel, NR Rubber wheel with nylon wheel assembly (including B), N Nylon wheel, NB Nylon wheel (including B), UW Urethane wheel with steel plate wheel assembly (including B), GU Urethane wheel with nylon wheel assembly (including B)

# UHGTYPE



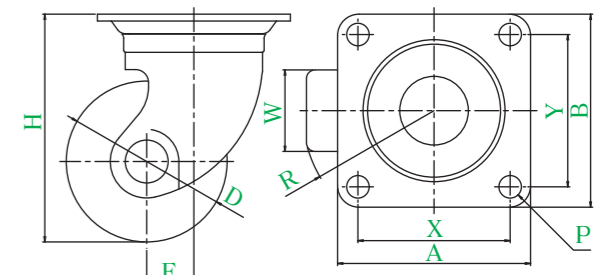
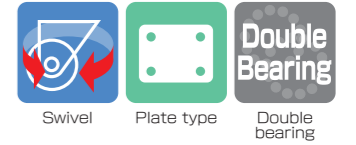
UHG-80MC

● Description of product number

### UHG - 80 MC

Bracket type  
Wheel diameter  
Wheel type

# HGTYPE



HG-65PB

● Description of product number

### HG - 65 PB

Bracket type  
Wheel diameter  
Wheel type

Bracket = Trivalent unichrome coating

Product number	Wheels	Wheel diameter	Wheel width	Mounting height	Mounting base	Mounting dimensions	Hole diameter	Eccentricity	Turning radius	Allowance load	Wheel weight
		D(mm)	W(mm)	H(mm)	A × B(mm)	X × Y(mm)	P(mm)	E(mm)	R(mm)	daN(kgf)	(g)
UHG-50	PB Phenol wheel (including B)	50	38	79	84 × 84	64 × 64	8.5	12	47	400(408.0)	815
	GFB Reinforced nylon wheel (including B)									300(306.0)	825
	MC MC nylon wheel (including B)									400(408.0)	810
	MCE MC nylon wheel (including B) (conductive)									400(408.0)	815
UHG-65	PB Phenol wheel (including B)	65	48	97	100 × 100	78 × 78	10.5	14	54	500(510.0)	1470
	GFB Reinforced nylon wheel (including B)									400(408.0)	1585
	MC MC nylon wheel (including B)									600(612.0)	1565
	MCE MC nylon wheel (including B) (conductive)									600(612.0)	1575
UHG-75	PB Phenol wheel (including B)	75	48	107	100 × 100	78 × 78	10.5	14	54	600(612.0)	1670
	GFB Reinforced nylon wheel (including B)									500(510.0)	1560
	MC MC nylon wheel (including B)									700(714.0)	1655
	MCE MC nylon wheel (including B) (conductive)									700(714.0)	1660
UHG-80	MC MC nylon wheel (including B)	80	48	120	100 × 85	80 × 60	9.0	20	63	800(816.0)	1695
UHG-100	MC MC nylon wheel (including B)	100	48	140	150 × 110	121 × 59	13.0	20	72	800(816.0)	2145

● Color of MC nylon wheel (including B) having a wheel diameter of φ 80 and φ 100 is dark blue.

☆ Design No.1251349

**Wheel in use** Refer to P158 for detailed specifications.



PB Phenol wheel (including B)  
GFB Reinforced nylon wheel (including B)  
MC MC nylon wheel (including B)  
MCE MC nylon wheel (including B) (conductive)

Bracket = Trivalent unichrome coating

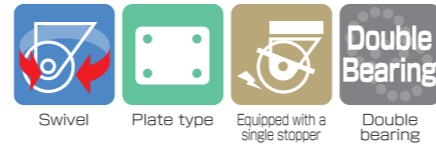
Product number	Wheels	Wheel diameter	Wheel width	Mounting height	Mounting base	Mounting dimensions	Hole diameter	Eccentricity	Turning radius	Allowance load	Wheel weight
		D(mm)	W(mm)	H(mm)	A × B(mm)	X × Y(mm)	P(mm)	E(mm)	R(mm)	daN(kgf)	(g)
HG-50	GNB Reinforced nylon wheel	50	28	68	64 × 64	50 × 50	6.5	25	51	160(163.2)	320
HG-50GNB (P54 × 36)	70 × 54				54 × 36	160(163.2)				310	
HG-50	MC MC nylon wheel	50	25	68	64 × 64	50 × 50	6.5	25	51	160(163.2)	325
	MCE MC nylon wheel (conductive)				160(163.2)	325					
HG-65	PB Phenol wheel (including B)	65	38	92	90 × 90	71 × 71	10.5	22	57	300(306.0)	915
	GNB Reinforced nylon wheel (including B)									300(306.0)	865
	MC MC nylon wheel (including B)									300(306.0)	880
	MCE MC nylon wheel (including B) (conductive)									300(306.0)	880
HG-75	PB Phenol wheel (including B)	75	38	106	90 × 90	71 × 71	10.5	22	61	320(326.4)	1005
	GNB Reinforced nylon wheel (including B)									320(326.4)	930
	MC MC nylon wheel (including B)									320(326.4)	925
	MCE MC nylon wheel (including B) (conductive)									320(326.4)	965

**Wheel in use** Refer to P159 for detailed specifications.



PB Phenol wheel (including B)  
GNB Reinforced nylon wheel  
GNB Reinforced nylon wheel (including B)  
MC MC nylon wheel (including B)  
MCE MC nylon wheel (including B) (conductive)

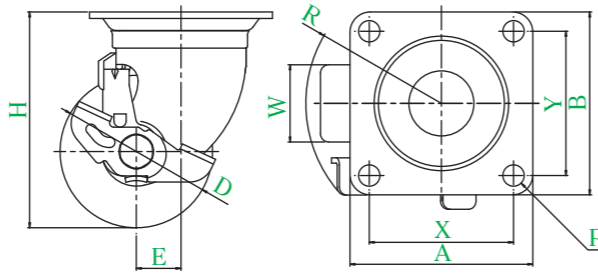
# HG-S TYPE



• Equipped with a pedal type single stopper



HG-65PBS

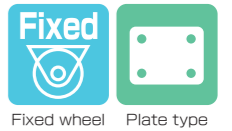


● Description of product number

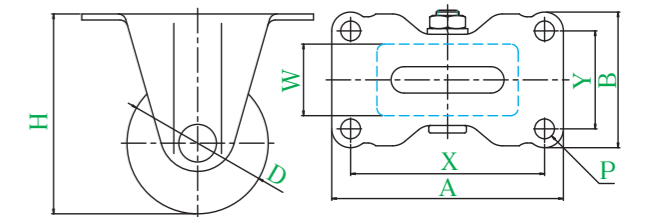
**HG - 65 PB S**

Bracket type  
Wheel diameter  
Wheel type  
Equipped with stopper

# HR TYPE



HR-75PB



● Description of product number

**HR - 75 PB**

Bracket type  
Wheel diameter  
Wheel type

Bracket = Trivalent unichrome coating

Product number	Wheels	Wheel diameter	Wheel width	Mounting height	Mounting base	Mounting dimensions	Hole diameter	Eccentricity	Turning radius	Allowance load	Wheel weight
		D(mm)	W(mm)	H(mm)	A × B(mm)	X × Y(mm)	P(mm)	E(mm)	R(mm)	daN(kgf)	(g)
HG-50	GNB S Reinforced nylon wheel	50	28	68	64 × 64	50 × 50	6.5	25	65	160(163.2)	365
HG-50GNBS (P54 × 36)	70 × 54		54 × 36		160(163.2)	355					
HG-50	MC S MC nylon wheel	50	25	68	64 × 64	50 × 50	6.5	25	65	160(163.2)	360
HG-50	MCE S MC nylon wheel (conductive)									160(163.2)	360
HG-65	PB S Phenol wheel (including B)	65	38	92	90 × 90	71 × 71	10.5	22	67	300(306.0)	905
HG-65	GNB S Reinforced nylon wheel (including B)									300(306.0)	920
HG-65	MC S MC nylon wheel (including B)									300(306.0)	945
HG-65	MCE S MC nylon wheel (including B) (conductive)									300(306.0)	945
HG-75	PB S Phenol wheel (including B)	75	38	106	90 × 90	71 × 71	10.5	22	67	320(326.4)	935
HG-75	GNB S Reinforced nylon wheel (including B)									320(326.4)	1005
HG-75	MC S MC nylon wheel (including B)									320(326.4)	1035
HG-75	MCE S MC nylon wheel (including B) (conductive)									320(326.4)	1035

● These casters are used for only locking rotation of the wheel.

☆ Patent Pending No.2006-117215 Design No.1240347

**Wheel in use** Refer to P159 for detailed specifications.



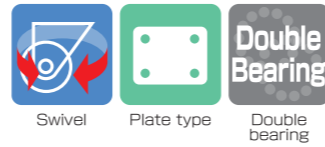
Bracket = Trivalent unichrome coating

Product number	Wheels	Wheel diameter	Wheel width	Mounting height	Mounting base	Mounting dimensions	Hole diameter	Allowance load	Wheel weight
		D(mm)	W(mm)	H(mm)	A × B(mm)	X × Y(mm)	P(mm)	daN(kgf)	(g)
HR-50	GNB Reinforced nylon wheel	50	28	68	80 × 50	66 × 36	6.5	160(163.2)	195
	MC MC nylon wheel		25					160(163.2)	200
	MCE MC nylon wheel (conductive)		25					160(163.2)	200
HR-65	PB Phenol wheel (including B)	65	38	92	111 × 67	91 × 47	10.5	300(306.0)	630
	GNB Reinforced nylon wheel (including B)							300(306.0)	575
	MC MC nylon wheel (including B)							300(306.0)	595
HR-75	MCE MC nylon wheel (including B) (conductive)	75	38	106	123 × 72	103 × 52	10.5	300(306.0)	595
	PB Phenol wheel (including B)							320(326.4)	730
	GNB Reinforced nylon wheel (including B)							320(326.4)	665
HR-75	MC MC nylon wheel (including B)	75	38	106	123 × 72	103 × 52	10.5	320(326.4)	700
	MCE MC nylon wheel (including B) (conductive)							320(326.4)	700

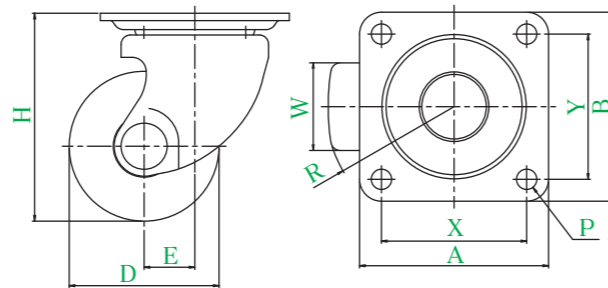
**Wheel in use** Refer to P159 for detailed specifications.



# HSG TYPE

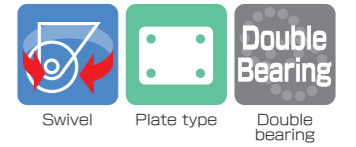


HSG-65GNB

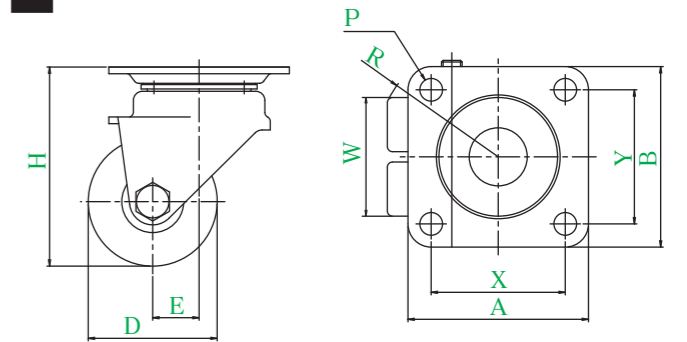


● Description of product number  
**HSG - 65 GFB**  
 Bracket type    Wheel diameter    Wheel type

# HG-W TYPE



HG-50BN-W



● Description of product number  
**HG - 50 BN-W**  
 Bracket type    Wheel diameter    Wheel type

Bracket = Trivalent unichrome coating

Product number	Wheels	Wheel diameter	Wheel width	Mounting height	Mounting base	Mounting dimensions	Hole diameter	Eccentricity	Turning radius	Allowance load	Wheel weight
		D(mm)	W(mm)	H(mm)	A × B(mm)	X × Y(mm)	P(mm)	E(mm)	R(mm)	daN(kgf)	(g)
HSG-50	PB Phenol wheel (including B)	50	38	79	82 × 82	63 × 63	8.8	22	49	300(306.0)	740
	GFB Reinforced nylon wheel (including B)									300(306.0)	710
	MC MC nylon wheel (including B)									300(306.0)	730
	MCE MC nylon wheel (including B) (conductive)									300(306.0)	735
HSG-65	PB Phenol wheel (including B)	65	38	90	82 × 82	63 × 63	8.8	22	57	300(306.0)	790
	GNB Reinforced nylon wheel (including B)									300(306.0)	750
	MC MC nylon wheel (including B)									300(306.0)	765
	MCE MC nylon wheel (including B) (conductive)									300(306.0)	770
HSG-75	PB Phenol wheel (including B)	75	38	100	82 × 82	63 × 63	8.8	22	61	300(306.0)	880
	GNB Reinforced nylon wheel (including B)									300(306.0)	825
	MC MC nylon wheel (including B)									300(306.0)	850
	MCE MC nylon wheel (including B) (conductive)									300(306.0)	855

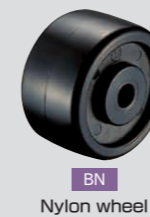
Bracket = Trivalent unichrome coating

Product number	Wheels	Wheel diameter	Wheel width	Mounting height	Mounting base	Mounting dimensions	Hole diameter	Eccentricity	Turning radius	Allowance load	Wheel weight
		D(mm)	W(mm)	H(mm)	A × B(mm)	X × Y(mm)	P(mm)	E(mm)	R(mm)	daN(kgf)	(g)
HG-38	BN -W Nylon wheel	38	46	64	70 × 70	52 × 52	8.8	18	44	120(122.4)	375
HG-50	BN -W Nylon wheel	50	46	77	70 × 70	52 × 52	8.8	18	49	150(153.0)	425

**Wheel in use** Refer to P159 for detailed specifications.



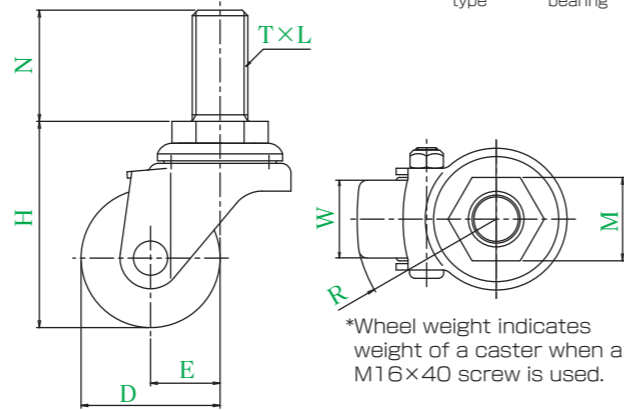
**Wheel in use** Refer to P159 for detailed specifications.



# HT TYPE



HT-65GNB, M16 x 40



\*Wheel weight indicates weight of a caster when a M16 x 40 screw is used.

● Description of product number  
Please specify screw type and length.

**HT - 65 GNB , M16 x 40**

Bracket type	Wheel diameter	Wheel type	Screw	Length
--------------	----------------	------------	-------	--------

Bracket = Trivalent unichrome coating

Product number	Wheels	Wheel diameter	Wheel width	Mounting height	Screw	Pitch	Length	Opposite side	Eccentricity	Turning radius	Allowance load	Wheel weight	
		D(mm)	W(mm)	H(mm)	T	L	N(mm)	M(mm)	E(mm)	R(mm)	daN(kgf)	(g)	
HT-50	GNB Reinforced nylon wheel	50	28	74				M16 = 23 M20 = 30	25	51	100(102.0)	340	
	MC MC nylon wheel (including B)		25								100(102.0)	345	
	MCE MC nylon wheel (including B) (conductive)										100(102.0)	350	
HT-65	PB Phenol wheel (including B)	65	38	93	M16	2	40	30	22	57	150(153.0)	790	
	GNB Reinforced nylon wheel (including B)											150(153.0)	735
	MC MC nylon wheel (including B)											150(153.0)	755
HT-75	MCE MC nylon wheel (including B) (conductive)	75	38	107	M20	2.5	80	30	22	61	150(153.0)	760	
	PB Phenol wheel (including B)											160(163.2)	880
	GNB Reinforced nylon wheel (including B)											160(163.2)	805
HT-75	MC MC nylon wheel (including B)	75	38	107				30	22	67	160(163.2)	820	
	MCE MC nylon wheel (including B) (conductive)											160(163.2)	820
	PB Phenol wheel (including B)											160(163.2)	825

● Allowable load is the allowable load when the stem is screwed in to the end.  
★ Refer to P7 for the mounting method.

### Wheel in use

Refer to P159 for detailed specifications.



PB Phenol wheel (including B) | GNB Reinforced nylon wheel | GNB Reinforced nylon wheel (including B) | MC MC nylon wheel (including B) | MCE MC nylon wheel (including B) (conductive)

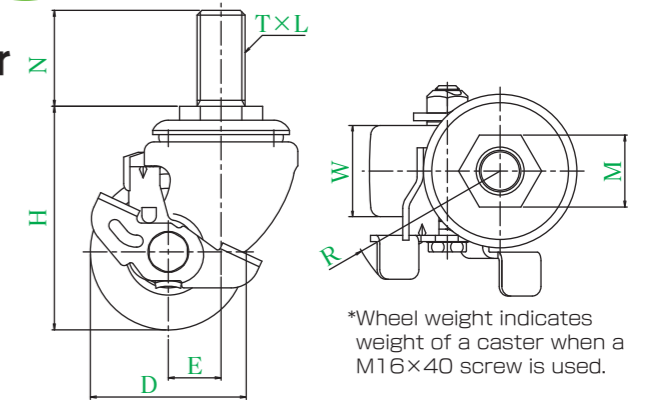
# HT-S TYPE



• Equipped with a pedal type single stopper



HT-75MCS, M16 x 40



\*Wheel weight indicates weight of a caster when a M16 x 40 screw is used.

● Description of product number  
Please specify screw type and length.

**HT - 75 MC S , M16 x 40**

Bracket type	Wheel diameter	Wheel type	Equipped with stopper	Screw	Length
--------------	----------------	------------	-----------------------	-------	--------

Bracket = Trivalent unichrome coating

Product number	Wheels	Wheel diameter	Wheel width	Mounting height	Screw	Pitch	Length	Opposite side	Eccentricity	Turning radius	Allowance load	Wheel weight	
		D(mm)	W(mm)	H(mm)	T	L	N(mm)	M(mm)	E(mm)	R(mm)	daN(kgf)	(g)	
HT-50	GNB S Reinforced nylon wheel	50	28	74				M16 = 23 M20 = 30	25	65	100(102.0)	385	
	MC S MC nylon wheel (including B)		25								100(102.0)	380	
	MCE S MC nylon wheel (including B) (conductive)										100(102.0)	385	
HT-65	PB S Phenol wheel (including B)	65	38	93	M16	2	40	30	22	67	150(153.0)	845	
	GNB S Reinforced nylon wheel (including B)											150(153.0)	800
	MC S MC nylon wheel (including B)											150(153.0)	820
HT-75	MCE S MC nylon wheel (including B) (conductive)	75	38	107	M20	2.5	80	30	22	67	150(153.0)	820	
	PB S Phenol wheel (including B)											160(163.2)	950
	GNB S Reinforced nylon wheel (including B)											160(163.2)	875
HT-75	MC S MC nylon wheel (including B)	75	38	107				30	22	67	160(163.2)	910	
	MCE S MC nylon wheel (including B) (conductive)											160(163.2)	915

● These casters are used for only locking rotation of the wheel.  
● Allowable load is the allowable load when the stem is screwed in to the end.  
★ Refer to P7 for the mounting method.

☆ Patent Pending No.2006-117215

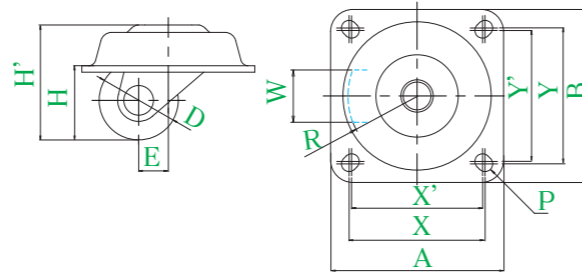
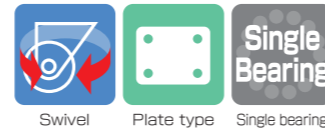
### Wheel in use

Refer to P159 for detailed specifications.



PB Phenol wheel (including B) | GNB Reinforced nylon wheel | GNB Reinforced nylon wheel (including B) | MC MC nylon wheel (including B) | MCE MC nylon wheel (including B) (conductive)

# HGL TYPE



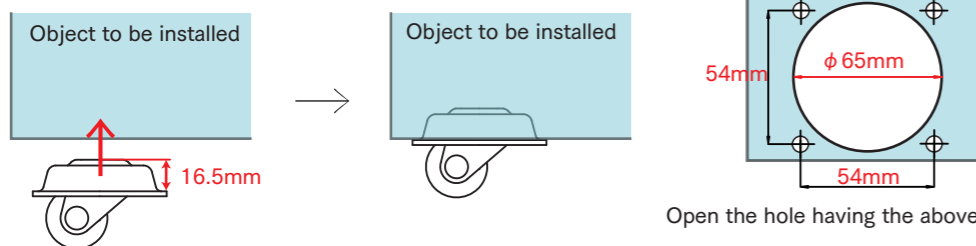
HGL-32GNB

● Description of product number  
**HGL - 32 GNB**  
 Bracket type      Wheel diameter      Wheel type

Bracket = Trivalent unichrome coating

Product number	Wheels											
		D(mm)	W(mm)	H(mm)	H'(mm)	A × B(mm)	X × Y (X' × Y') (mm)	P(mm)	E(mm)	R(mm)	daN(kgf)	(g)
HGL-32 GNB	Reinforced nylon wheel	32	21	30	46.5	70 × 70	55 × 55 (53 × 53)	6.2	12	29	120 (122.4)	225

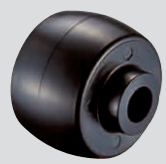
### Installation diagram



Open the hole having the above dimensions.

Install a caster in such a manner that the caster is embedded in the product.  
 Dimensions of the portion in which the caster is embedded is as follows: Height: 16.5mm or higher, Hole diameter: φ65mm

**Wheel in use** Refer to P158 for detailed specifications.



GNB Reinforced nylon wheel

# Ultra low profile heavy duty casters

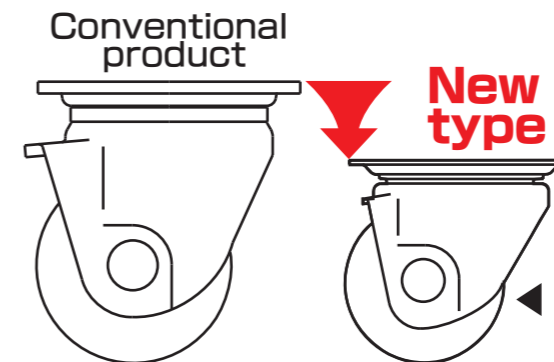
## Features of CAL-H SERIES

# Suitable for server racks!!



### Point 1 Realizing ultra low profile without sacrificing load!!

The height is lowered for approximately 10% at maximum compared with conventional low profile type. Since the height is low, space is saved.



**Conventional low profile type is further evolved!!**  
 The height is lowered for approximately **10%!**

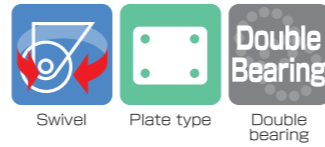
Ultra low profile Caster for heavy load CAL-H series

### Point 2 Turning performance is greatly improved!!

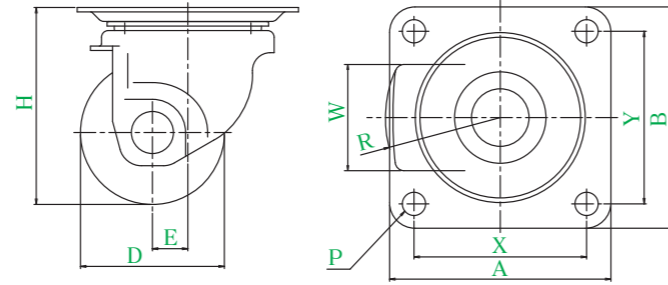
Turn starting force is reduced for **40% at the maximum.** (compared to our company's products)  
 Due to smooth operation, fatigue is reduced and operability improved.



## CAL-UHGTYPE



CAL-UHG-65MC



### ● Description of product number

**CAL-UHG - 65 MC**

Bracket type  
Wheel diameter  
Wheel type

Bracket = Trivalent unichrome coating

Product number	Wheels	Wheel diameter	Wheel width	Mounting height	Mounting base	Mounting dimensions	Hole diameter	Eccentricity	Turning radius	Allowance load	Wheel weight
		D(mm)	W(mm)	H(mm)	A × B(mm)	X × Y(mm)	P(mm)	E(mm)	R(mm)	daN(kgf)	(g)
CAL-UHG-50	PB Phenol wheel (including B)	50	38	74	84 × 84	64 × 64	8.5	14	42	400(408.0)	585
	GFB Reinforced nylon wheel (including B)									300(306.0)	590
	MC MC nylon wheel (including B)									400(408.0)	580
	MCE MC nylon wheel (including B) (conductive)									400(408.0)	585
CAL-UHG-65	PB Phenol wheel (including B)	65	48	89	100 × 100	78 × 78	10.5	16	52	500(510.0)	1065
	GFB Reinforced nylon wheel (including B)									400(408.0)	950
	MC MC nylon wheel (including B)									600(612.0)	1045
	MCE MC nylon wheel (including B) (conductive)									600(612.0)	1050
CAL-UHG-75	PB Phenol wheel (including B)	75	48	99	100 × 100	78 × 78	10.5	16	57	600(612.0)	1135
	GFB Reinforced nylon wheel (including B)									500(510.0)	1015
	MC MC nylon wheel (including B)									700(714.0)	1080
	MCE MC nylon wheel (including B) (conductive)									700(714.0)	1120

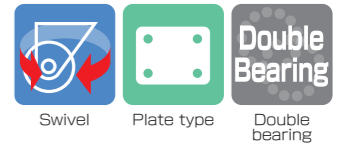
### Wheel in use

Refer to P160 for detailed specifications.

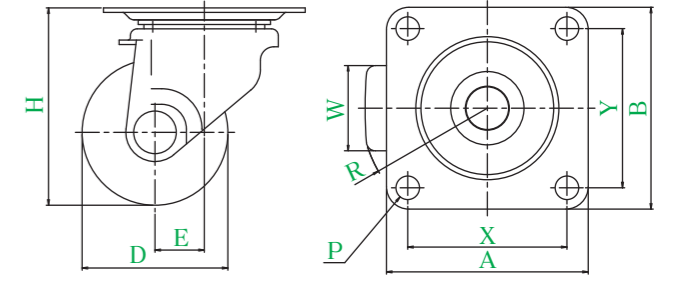


PB Phenol wheel (including B)  
GFB Reinforced nylon wheel (including B)  
MC MC nylon wheel (including B)  
MCE MC nylon wheel (including B) (conductive)

## CAL-HGTYPE



CAL-HG-65PB



### ● Description of product number

**CAL-HG - 65 PB**

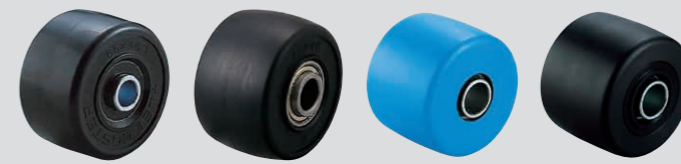
Bracket type  
Wheel diameter  
Wheel type

Bracket = Trivalent unichrome coating

Product number	Wheels	Wheel diameter	Wheel width	Mounting height	Mounting base	Mounting dimensions	Hole diameter	Eccentricity	Turning radius	Allowance load	Wheel weight
		D(mm)	W(mm)	H(mm)	A × B(mm)	X × Y(mm)	P(mm)	E(mm)	R(mm)	daN(kgf)	(g)
CAL-HG-65	PB Phenol wheel (including B)	65	38	88	90 × 90	71 × 71	10.5	22	57	300(306.0)	695
	GNB Reinforced nylon wheel (including B)									300(306.0)	655
	MC MC nylon wheel (including B)									300(306.0)	675
	MCE MC nylon wheel (including B) (conductive)									300(306.0)	680
CAL-HG-75	PB Phenol wheel (including B)	75	38	98	90 × 90	71 × 71	10.5	22	61	300(306.0)	760
	GNB Reinforced nylon wheel (including B)									300(306.0)	700
	MC MC nylon wheel (including B)									300(306.0)	730
	MCE MC nylon wheel (including B) (conductive)									300(306.0)	735

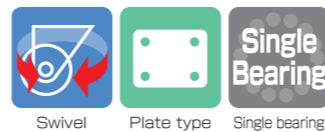
### Wheel in use

Refer to P160 for detailed specifications.

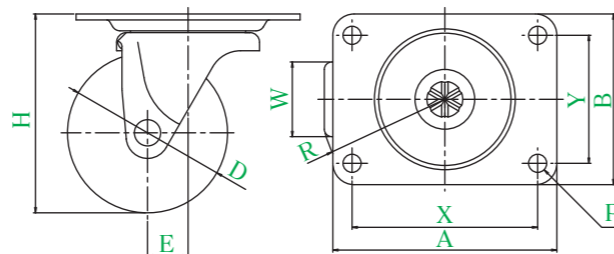


PB Phenol wheel (including B)  
GNB Reinforced nylon wheel (including B)  
MC MC nylon wheel (including B)  
MCE MC nylon wheel (including B) (conductive)

## MG TYPE



MG-75N

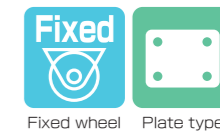


● Description of product number

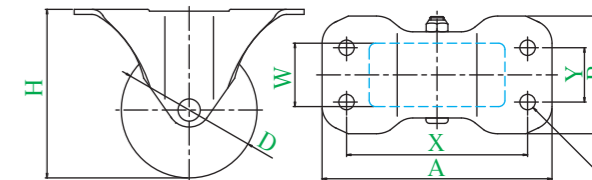
### MG - 75 N

Wheel type  
Wheel diameter  
Bracket type

## MR TYPE



MR-75N



● Description of product number

### MR - 75 N

Wheel type  
Wheel diameter  
Bracket type

Bracket = Trivalent unichrome coating

Product number	Wheels										
		Wheel diameter D(mm)	Wheel width W(mm)	Mounting height H(mm)	Mounting base A × B(mm)	Mounting dimensions X × Y(mm)	Hole diameter P(mm)	Eccentricity E(mm)	Turning radius R(mm)	Allowance load daN(kgf)	Wheel weight (g)
MG-65 N	Nylon wheel	65	28	82	95 × 70	76 × 44	8.5	22	55	90(91.8)	380
MG-75 N	Nylon wheel	75	35	93	105 × 80	87 × 60	8.5	19	59	100(102.0)	480

Bracket = Trivalent unichrome coating

Product number	Wheels								
		Wheel diameter D(mm)	Wheel width W(mm)	Mounting height H(mm)	Mounting base A × B(mm)	Mounting dimensions X × Y(mm)	Hole diameter P(mm)	Allowance load daN(kgf)	Wheel weight (g)
MR-65 N	Nylon wheel	65	28	82	113 × 59	89 × 28	8.5	90(91.8)	300
MR-75 N	Nylon wheel	75	35	93	127 × 65	100 × 30	8.5	100(102.0)	405

### Wheel in use

Refer to P160 for detailed specifications.



N Nylon wheel

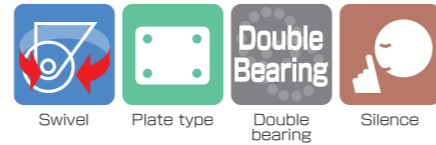
### Wheel in use

Refer to P160 for detailed specifications.

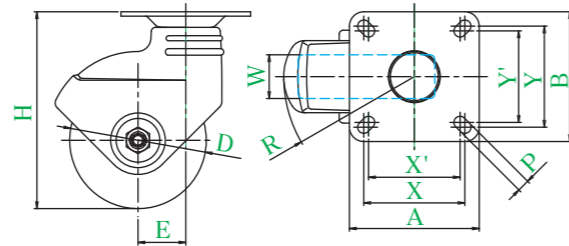


N Nylon wheel

# PLJTYPE



PLJ-100NR

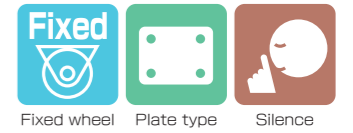


● Description of product number

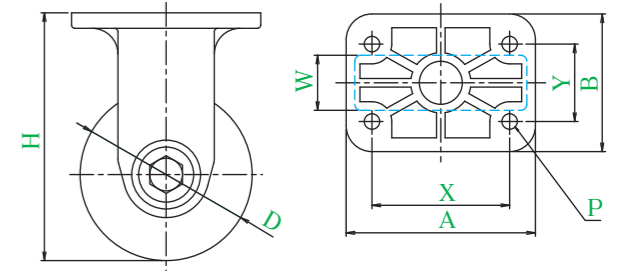
**PLJ - 100 NR**

Bracket type  
Wheel diameter  
Wheel type

# PLKTYPE



PLK-100NR



● Description of product number

**PLK - 100 NR**

Bracket type  
Wheel diameter  
Wheel type

Product number	Wheels										
		Wheel diameter D(mm)	Wheel width W(mm)	Mounting height H(mm)	Mounting base A × B(mm)	Mounting dimensions X × Y(X' × Y') (mm)	Hole diameter P(mm)	Eccentricity E(mm)	Turning radius R(mm)	Allowance load daN(kgf)	Wheel weight (g)
PLJ-100	NR Rubber wheel with nylon wheel assembly (including B)	100	32	144	95 × 95	74 × 74 (67 × 67)	9	35	96	80(81.6)	1015
	GU Urethane wheel with nylon wheel assembly (including B)									80(81.6)	1015
PLJ-130	NR Rubber wheel with nylon wheel assembly (including B)	130	40	177	105 × 105	82 × 82 (75 × 75)	11	38	111	120(122.4)	1320
	GU Urethane wheel with nylon wheel assembly (including B)									120(122.4)	1305

☆ Patent No.4234669 Design No.1240339

Product number	Wheels								
		Wheel diameter D(mm)	Wheel width W(mm)	Mounting height H(mm)	Mounting base A × B(mm)	Mounting dimensions X × Y(mm)	Hole diameter P(mm)	Allowance load daN(kgf)	Wheel weight (g)
PLK-100	NR Rubber wheel with nylon wheel assembly (including B)	100	32	144	110 × 80	80 × 45	9	80(81.6)	570
	GU Urethane wheel with nylon wheel assembly (including B)							80(81.6)	570
PLK-130	NR Rubber wheel with nylon wheel assembly (including B)	130	40	177	130 × 90	100 × 56	11	120(122.4)	840
	GU Urethane wheel with nylon wheel assembly (including B)							120(122.4)	825

☆ Design No.1251354



Bearing is used at top and bottom of the revolving portion (patent pending).

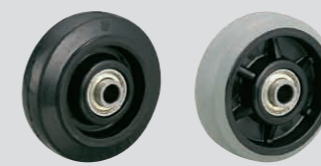
Turn starting force is reduced for 35%.  
High impact performance is improved for 35%  
(compared to our company's products).

The body is made of nylon.

Radial ball bearing is used for a wheel.

### Wheel in use

Refer to P161 for detailed specifications.



NR  
Rubber wheel with nylon wheel assembly (including B)

GU  
Urethane wheel with nylon wheel assembly (including B)

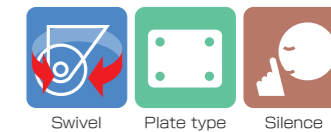
## Features of silence caster (for light load) (fixed type)

# Use this caster for small carriers!!

- Point 1 Quiet traveling sound!!**  
 Noise is reduced for 10dB. (compared to our company's products)  
 We recommend this caster for customers who worries about traveling sound.
- Point 2 Turn starting force and rotation start force are light!!**  
 Turn starting force is reduced for **65%**. Rotation start force is reduced for **15%**. (compared to our company's products)
- Point 3 Elastomer wheel hardly remains marking on floor surface!!**  
 We adopted elastomer wheels that hardly stain the floor surface during traveling.



## Silence caster (for light load)



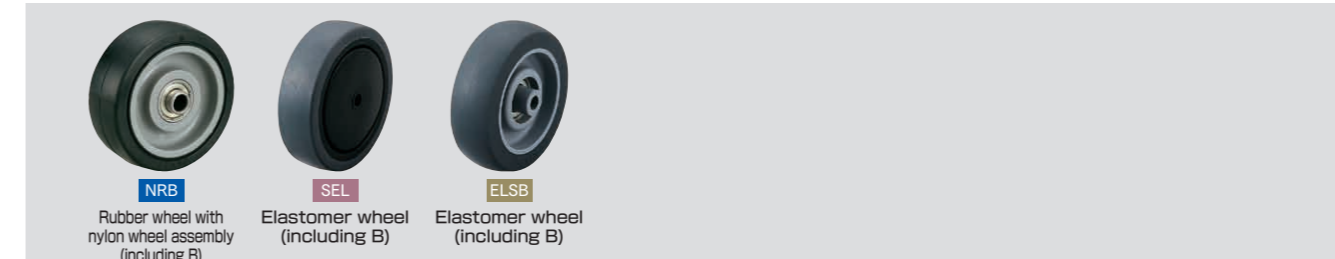
● Description of product number  
**SFHG - 100 SEL**  
 Bracket type      Wheel diameter      Wheel type

Bracket = Trivalent unichrome coating

Product number	Wheels										
		Wheel diameter D(mm)	Wheel width W(mm)	Mounting height H(mm)	Mounting base A × B(mm)	Mounting dimensions X × Y(mm)	Hole diameter P(mm)	Eccentricity E(mm)	Turning radius R(mm)	Allowance load daN(kgf)	Wheel weight (g)
EF-65	ELSB Elastomer wheel (including B)	65	20	83	70 × 42	56 × 28	6.5	21	54	30(30.6)	
EF-75	ELSB Elastomer wheel (including B)	75	20	93	70 × 42	56 × 28	6.5	21	59	35(35.7)	
SFHG-75	NRB Rubber wheel with nylon wheel assembly (including B)	75	27	98	70 × 58	55 × 42	8.8	29	67	60(61.2)	
SFHG-100	NRB Rubber wheel with nylon wheel assembly (including B)	100	27	122	100 × 58	82 × 40	8.8	31	81	60(61.2)	
SFHG-100	SEL Elastomer wheel (including B)		28							50(51.0)	

☆ Patent Pending No.2010-012975 Patent No.3442034

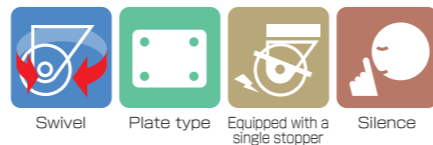
**Wheel in use** Refer to P161 for detailed specifications.



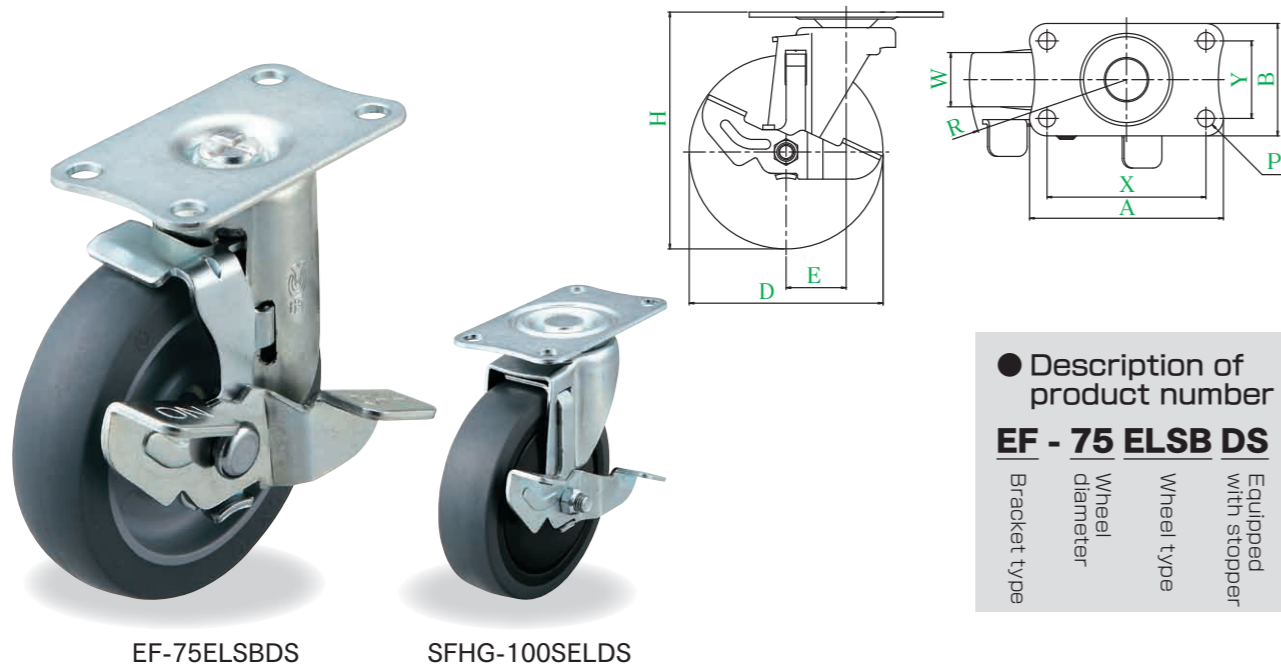
J  
PM  
J2  
RJ2  
SJ  
S  
E  
G  
L  
SA  
H  
CAL-H  
M  
PL  
Silence  
SUS-J2  
SUS-SJ  
SUS-S  
SUS-E  
SUS-H  
P  
SKY  
Equipped with adjuster foot  
Special  
Easy lock  
Wheels

J  
PM  
J2  
RJ2  
SJ  
S  
E  
G  
L  
SA  
H  
CAL-H  
M  
PL  
Silence  
SUS-J2  
SUS-SJ  
SUS-S  
SUS-E  
SUS-H  
P  
SKY  
Equipped with adjuster foot  
Special  
Easy lock  
Wheels

## Silence caster (for light load)



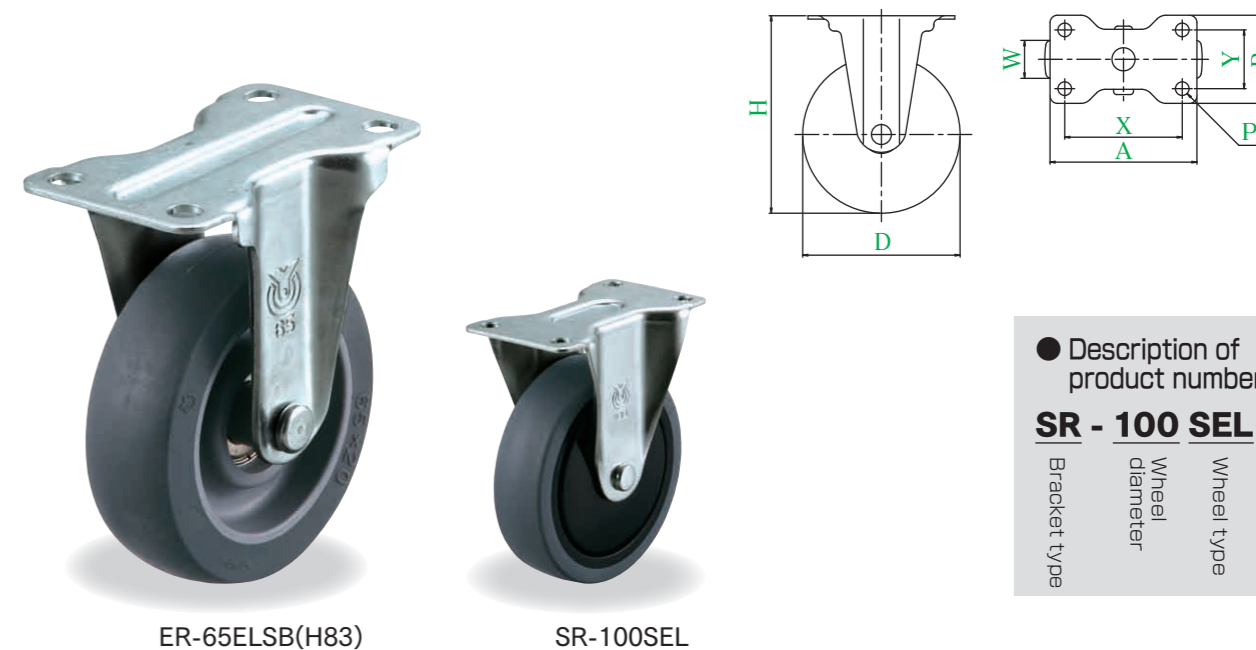
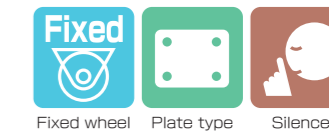
• Equipped with a pedal type single stopper



● Description of product number  
**EF - 75 ELSB DS**

Bracket type	Wheel diameter	Wheel type	Equipped with stopper
--------------	----------------	------------	-----------------------

## Silence caster (for light load)



● Description of product number  
**SR - 100 SEL**

Bracket type	Wheel diameter	Wheel type
--------------	----------------	------------

Bracket = Trivalent unichrome coating

Product number	Wheels	Wheel diameter	Wheel width	Mounting height	Mounting base	Mounting dimensions	Hole diameter	Eccentricity	Turning radius	Allowance load	Wheel weight
		D(mm)	W(mm)	H(mm)	A × B(mm)	X × Y(mm)	P(mm)	E(mm)	R(mm)	daN(kgf)	(g)
EF-75 ELSB DS	Elastomer wheel (including B)	75	20	93	70 × 42	56 × 28	6.5	21	61	35(35.7)	
SFHG-75 NRB DS	Rubber wheel with nylon wheel assembly (including B)	75	27	98	70 × 58	55 × 42	8.8	29	71	60(61.2)	
SFHG-100 NRB DS	Rubber wheel with nylon wheel assembly (including B)	100	27	122	100 × 58	82 × 40	8.8	31	81	60(61.2)	
SFHG-100 SEL DS	Elastomer wheel (including B)		28								

● These casters are used for only locking rotation of the wheel.

☆ Patent Pending No.2010-012975 Patent No.3442034

Bracket = Trivalent unichrome coating

Product number	Wheels	Wheel diameter	Wheel width	Mounting height	Mounting base	Mounting dimensions	Hole diameter	Allowance load	Wheel weight
		D(mm)	W(mm)	H(mm)	A × B(mm)	X × Y(mm)	P(mm)	daN(kgf)	(g)
ER-65 ELSB (H83)	Elastomer wheel (including B)	65	20	83	70 × 42	56 × 28	6.5	30(30.6)	
ER-75 ELSB (H93)	Elastomer wheel (including B)	75	20	93	70 × 42	56 × 28	6.5	35(35.7)	
SR-85-75 NRB	Rubber wheel with nylon wheel assembly (including B)	75	27	98	70 × 60	55 × 42	8.8	60(61.2)	
SR-100 NRB	Rubber wheel with nylon wheel assembly (including B)	100	27	122	100 × 58	82 × 40	8.8	60(61.2)	
SR-100 SEL	Elastomer wheel (including B)		28						

### Wheel in use

Refer to P161 for detailed specifications.



NRB Rubber wheel with nylon wheel assembly (including B)  
SEL Elastomer wheel (including B)  
ELSB Elastomer wheel (including B)

### Wheel in use

Refer to P161 for detailed specifications.



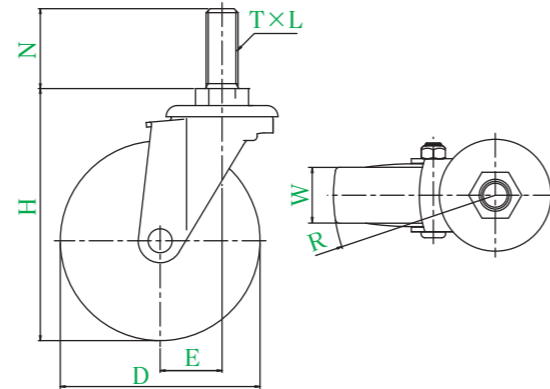
NRB Rubber wheel with nylon wheel assembly (including B)  
SEL Elastomer wheel (including B)  
ELSB Elastomer wheel (including B)

## Silence caster (for light load)



EFT-75ELSB, M12×35

SFHT-100SEL, M16×40



● Description of product number  
Please specify screw type and length.

**SFHT - 100 SEL , M16 × 40**

Bracket type	Wheel diameter	Wheel type	Screw	Length
--------------	----------------	------------	-------	--------

Bracket = Trivalent unichrome coating

Product number	Wheels	Wheel diameter	Wheel width	Mounting height	Screw	Pitch	Length	Opposite side	Eccentricity	Turning radius	Allowance load	Wheel weight
		D(mm)	W(mm)	H(mm)	T	L	N(mm)	M(mm)	E(mm)	R(mm)	daN(kgf)	(g)
EFT-65	ELSB Elastomer wheel (including B)	65	20	87	M12	1.75	35	19	21	54	30(30.6)	
EFT-75	ELSB Elastomer wheel (including B)	75	20	97	M12	1.75	35	19	21	59	35(35.7)	
SFHT-75	NRB Rubber wheel with nylon wheel assembly (including B)		27	102	M16	2	40	23	29	67	60(61.2)	
SFHT-100	NRB Rubber wheel with nylon wheel assembly (including B)	100	27	126	M16	2	40	23	31	81	60(61.2)	
SFHT-100	SEL Elastomer wheel (including B)		28								50(51.0)	

● Allowable load is the allowable load when the stem is screwed in to the end.  
★ Refer to P7 for the mounting method.

☆ Patent Pending No.2010-012975 Patent No.3442034

### Wheel in use

Refer to P161 for detailed specifications.

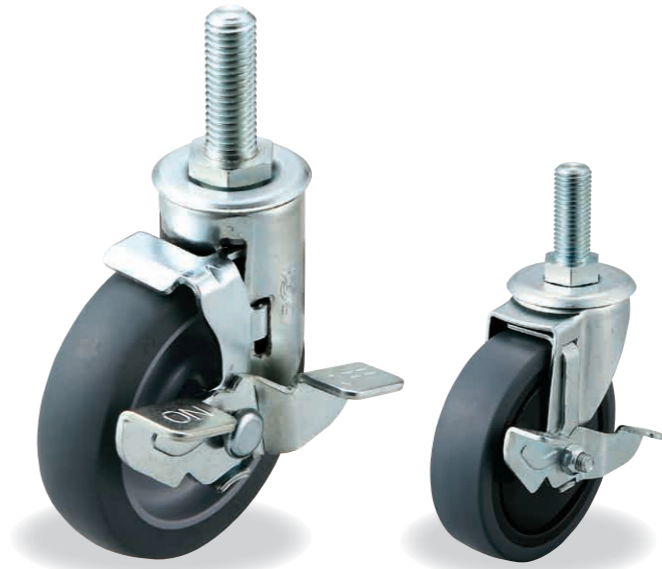


**NRB** Rubber wheel with nylon wheel assembly (including B)  
**SEL** Elastomer wheel (including B)  
**ELSB** Elastomer wheel (including B)

## Silence caster (for light load)

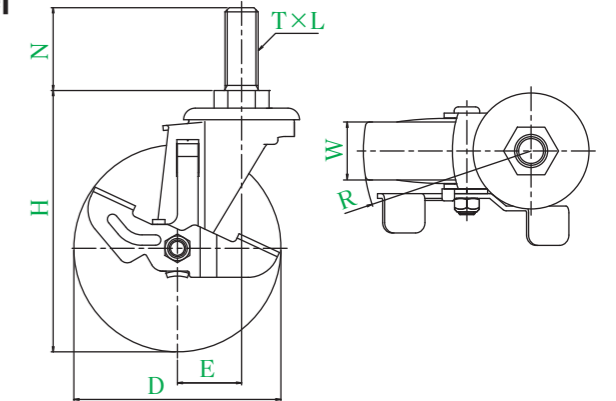


• Equipped with a pedal type single stopper



EFT-75ELSBDS, M12×35

SFHT-100SELDS, M16×40



● Description of product number  
Please specify screw type and length.

**EFT - 75 ELSB DS , M12 × 35**

Bracket type	Wheel diameter	Wheel type	Equipped with stopper	Screw	Length
--------------	----------------	------------	-----------------------	-------	--------

Bracket = Trivalent unichrome coating

Product number	Wheels	Wheel diameter	Wheel width	Mounting height	Screw	Pitch	Length	Opposite side	Eccentricity	Turning radius	Allowance load	Wheel weight
		D(mm)	W(mm)	H(mm)	T	L	N(mm)	M(mm)	E(mm)	R(mm)	daN(kgf)	(g)
EFT-75	ELSB DS Elastomer wheel (including B)	75	20	97	M12	1.75	35	19	21	61	35(35.7)	
SFHT-75	NRB DS Rubber wheel with nylon wheel assembly (including B)		27	102	M16	2	40	23	29	71	60(61.2)	
SFHT-100	NRB DS Rubber wheel with nylon wheel assembly (including B)	100	27	126	M16	2	40	23	31	81	60(61.2)	
SFHT-100	SEL DS Elastomer wheel (including B)		28								50(51.0)	

● These casters are used for only locking rotation of the wheel.  
● Allowable load is the allowable load when the stem is screwed in to the end.  
★ Refer to P7 for the mounting method.

☆ Patent Pending No.2010-012975 Patent No.3442034

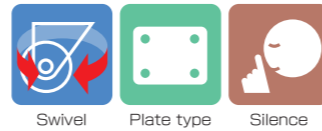
### Wheel in use

Refer to P161 for detailed specifications.

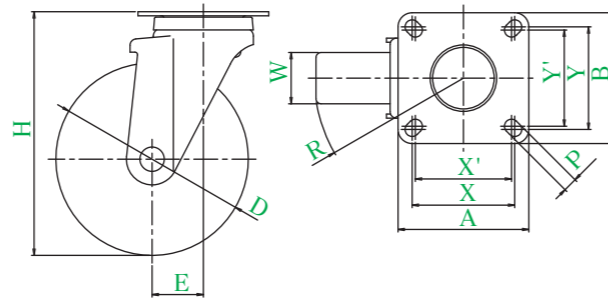


**NRB** Rubber wheel with nylon wheel assembly (including B)  
**SEL** Elastomer wheel (including B)  
**ELSB** Elastomer wheel (including B)

## Silence caster (industrial)



WFJF-200



Bracket = Trivalent unichrome coating

Product number	Wheels										
		Wheel diameter D(mm)	Wheel width W(mm)	Mounting height H(mm)	Mounting base A × B(mm)	Mounting dimensions X × Y (X' × Y') (mm)	Hole diameter P(mm)	Eccentricity E(mm)	Turning radius R(mm)	Allowance load daN(kgf)	Wheel weight (g)
SJF-100	NR	100	32	132	90 × 90	71 × 71 (68 × 68)	11	32	82	100(102.0)	
NR	J2F-130	130	40	170	102 × 102	80 × 80 (75 × 75)	11	40	105	160(163.2)	
NR	J2F-150	150	40	190	102 × 102	80 × 80 (75 × 75)	11	40	115	180(183.6)	
WF	JF-200	200	43	250	140 × 140	115 × 115 (105 × 105)	11.5	56	156	200(204.0)	

☆ Patent No.3442034

### Wheel in use

Refer to P161 for detailed specifications.



WF

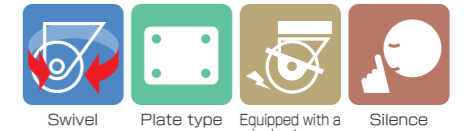
Rubber wheel with steel plate wheel assembly (including B)



NR

Rubber wheel with nylon wheel assembly (including B)

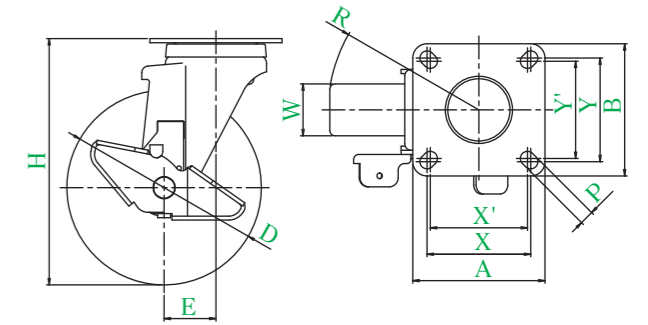
## Silence caster (industrial)



• Equipped with a pedal type single stopper



NRJ2F-150



Bracket = Trivalent unichrome coating

Product number	Wheels										
		Wheel diameter D(mm)	Wheel width W(mm)	Mounting height H(mm)	Mounting base A × B(mm)	Mounting dimensions X × Y (X' × Y') (mm)	Hole diameter P(mm)	Eccentricity E(mm)	Turning radius R(mm)	Allowance load daN(kgf)	Wheel weight (g)
SJF-100	NR S	100	32	132	90 × 90	71 × 71 (68 × 68)	11	32	86	100(102.0)	
NR	J2F-130 S	130	40	170	102 × 102	80 × 80 (75 × 75)	11	40	108	160(163.2)	
NR	J2F-150 S	150	40	190	102 × 102	80 × 80 (75 × 75)	11	40	115	180(183.6)	

● These casters are used for only locking rotation of the wheel.

☆ Patent No.3442034

### Wheel in use

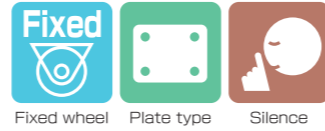
Refer to P161 for detailed specifications.



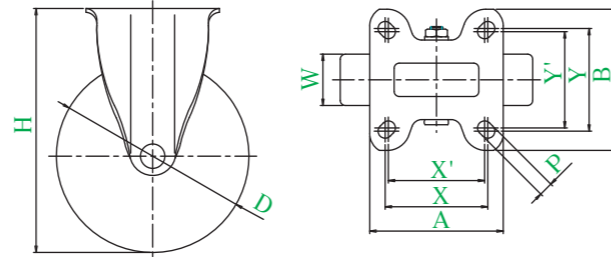
NR

Rubber wheel with nylon wheel assembly (including B)

## Silence caster (industrial)



WFK-200



Bracket = Trivalent unichrome coating

Product number	Wheels								
		Wheel diameter D(mm)	Wheel width W(mm)	Mounting height H(mm)	Mounting base A × B(mm)	Mounting dimensions X × Y (X' × Y') (mm)	Hole diameter P(mm)	Allowance load daN(kgf)	Wheel weight (g)
SK-100	NRF	100	32	132	110 × 75	90 × 50 (80 × 45)	11	100(102.0)	
	NRF K2-130	130	40	170	102 × 102	80 × 80 (75 × 75)	11	160(163.2)	
	NRF K2-150	150	40	190	104 × 110	80 × 80 (75 × 75)	11	180(183.6)	
	WF K-200	200	43	250	151 × 102	112 × 63	11.5	200(204.0)	

### Wheel in use

Refer to P161 for detailed specifications.



WF

Rubber wheel with steel plate wheel assembly (including B)



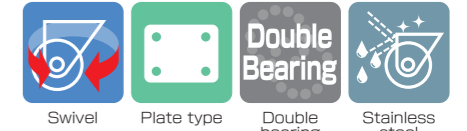
NRF

Rubber wheel with nylon wheel assembly (including B)

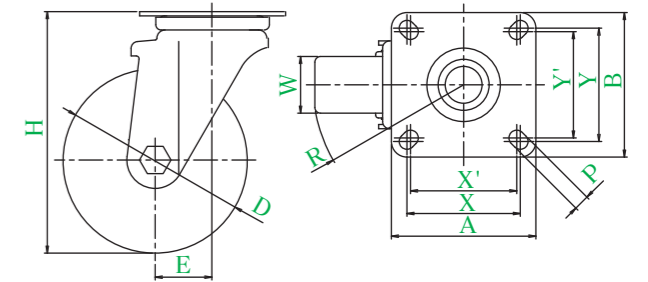
## SUS-J<sub>2</sub> TYPE



There are some non-conforming products.



SUS-NJ2-150



### Description of product number

**SUS - N J<sub>2</sub> - 150**

Bracket type	Wheel type	Bracket type	Wheel diameter
--------------	------------	--------------	----------------

Bracket = Stainless steel

Product number	Wheels																		
		Wheel diameter D(mm)	Wheel width W(mm)	Mounting height H(mm)	Mounting base A × B(mm)	Mounting dimensions X × Y (X' × Y') (mm)	Hole diameter P(mm)	Eccentricity E(mm)	Turning radius R(mm)	Allowance load daN(kgf)	Wheel weight (g)								
SUS-	NR	130	40	170	102 × 102	80 × 80 (75 × 75)	11	40	105	160(163.2)	1365								
	N J2-130									150(153.0)	1330								
	GU									160(163.2)	1400								
	NR									150	40	190	102 × 102	80 × 80 (75 × 75)	11	40	115	180(183.6)	1490
	N J2-150																	160(163.2)	1410
	GU																	180(183.6)	1470

### Wheel in use

Refer to P162 for detailed specifications.



NR

Rubber wheel with nylon wheel assembly (including B)



N

Nylon wheel (including B)



GU

Urethane wheel with nylon wheel assembly (including B)

## SUS-J<sub>2</sub>-S TYPE

• Equipped with a pedal type single stopper



There are some non-conforming products.



Swivel



Plate type



Equipped with a single stopper



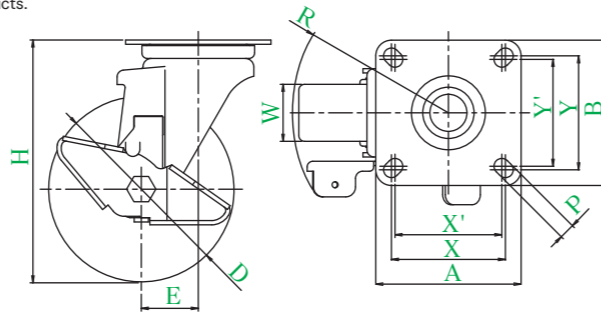
Double bearing



Stainless steel



SUS-GUJ2-150S



● Description of product number

**SUS - GU J<sub>2</sub> - 150 S**

Bracket type	Wheel type	Bracket type	Wheel diameter	Equipped with stopper
--------------	------------	--------------	----------------	-----------------------

Bracket = Stainless steel

Product number	Wheels	Wheel diameter	Wheel width	Mounting height	Mounting base	Mounting dimensions	Hole diameter	Eccentricity	Turning radius	Allowance load	Wheel weight									
		D(mm)	W(mm)	H(mm)	A × B(mm)	X × Y(X' × Y') (mm)	P(mm)	E(mm)	R(mm)	daN(kgf)	(g)									
SUS-J <sub>2</sub>	NR J <sub>2</sub> -130 S	Rubber wheel with nylon wheel assembly (including B)	130	40	170	102 × 102	80 × 80 (75 × 75)	11	40	108	160(163.2)	1555								
		Nylon wheel (including B)									150(153.0)	1520								
		Urethane wheel with nylon wheel assembly (including B)									160(163.2)	1590								
	GU J <sub>2</sub> -150 S	Rubber wheel with nylon wheel assembly (including B)									150	40	190	102 × 102	80 × 80 (75 × 75)	11	40	115	180(183.6)	1690
		Nylon wheel (including B)																	160(163.2)	1610
		Urethane wheel with nylon wheel assembly (including B)																	180(183.6)	1680

● These casters are used for only locking rotation of the wheel.

Wheel in use

Refer to P162 for detailed specifications.



NR Rubber wheel with nylon wheel assembly (including B)



N Nylon wheel (including B)



GU Urethane wheel with nylon wheel assembly (including B)

## SUS-K<sub>2</sub> TYPE



There are some non-conforming products.



Fixed wheel



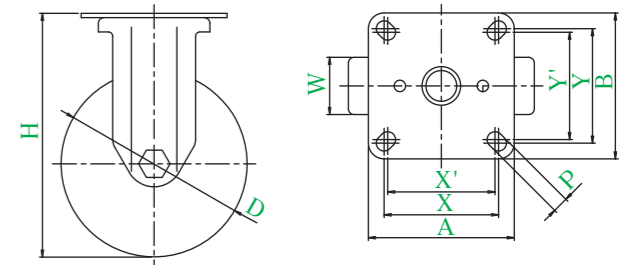
Plate type



Stainless steel



SUS-GUK2-150



● Description of product number

**SUS - GU K<sub>2</sub> - 150**

Bracket type	Wheel type	Bracket type	Wheel diameter
--------------	------------	--------------	----------------

Bracket = Stainless steel

Product number	Wheels	Wheel diameter	Wheel width	Mounting height	Mounting base	Mounting dimensions	Hole diameter	Allowance load	Wheel weight							
		D(mm)	W(mm)	H(mm)	A × B(mm)	X × Y(X' × Y') (mm)	P(mm)	daN(kgf)	(g)							
SUS-J <sub>2</sub>	NR K <sub>2</sub> -130	Rubber wheel with nylon wheel assembly (including B)	130	40	170	102 × 102	80 × 80 (75 × 75)	11	160(163.2)	1330						
		Nylon wheel (including B)							150(153.0)	1140						
		Urethane wheel with nylon wheel assembly (including B)							160(163.2)	1210						
	GU K <sub>2</sub> -150	Rubber wheel with nylon wheel assembly (including B)							150	40	190	102 × 102	80 × 80 (75 × 75)	11	180(183.6)	1290
		Nylon wheel (including B)													160(163.2)	1210
		Urethane wheel with nylon wheel assembly (including B)													180(183.6)	1270

Wheel in use

Refer to P162 for detailed specifications.



NR Rubber wheel with nylon wheel assembly (including B)



N Nylon wheel (including B)



GU Urethane wheel with nylon wheel assembly (including B)

## SUS-SJ TYPE



There are some non-conforming products.



Swivel

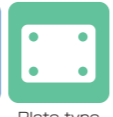


Plate type



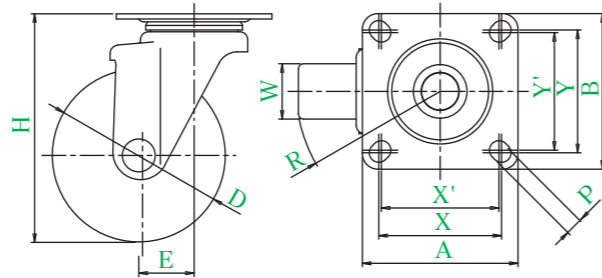
Double bearing



Stainless steel



SUS-SJ-100N



● Description of product number

**SUS - SJ - 100 N**

Bracket type	Wheel diameter	Wheel type
--------------	----------------	------------

Bracket = Stainless steel

Product number	Wheels	Wheel diameter	Wheel width	Mounting height	Mounting base	Mounting dimensions	Hole diameter	Eccentricity	Turning radius	Allowance load	Wheel weight
		D(mm)	W(mm)	H(mm)	A × B(mm)	X × Y(X' × Y') (mm)	P(mm)	E(mm)	R(mm)	daN(kgf)	(g)
SUS-SJ-100	NR Rubber wheel with nylon wheel assembly (including B)	100	32	132	90 × 90	71 × 71 (68 × 68)	11	32	82	100(102.0)	840
	N Nylon wheel								83	100(102.0)	750
	NB Nylon wheel (including B)								83	100(102.0)	860
	GU Urethane wheel with nylon wheel assembly (including B)								82	100(102.0)	790
SUS-SJ-125	GU Urethane wheel with nylon wheel assembly (including B)	125	32	168	102 × 102	80 × 80 (75 × 75)	11	32	95	120(122.4)	1020

Wheel in use

Refer to P162 for detailed specifications.



NR

Rubber wheel with nylon wheel assembly (including B)



N

Nylon wheel



NB

Nylon wheel (including B)



GU

Urethane wheel with nylon wheel assembly (including B)

## SUS-SJ-S TYPE



There are some non-conforming products.



Swivel



Plate type



Equipped with a single stopper



Double bearing

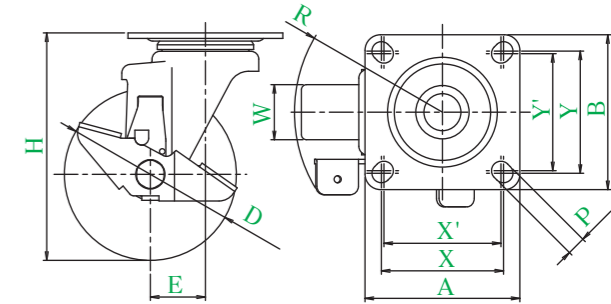


Stainless steel

• Equipped with a pedal type single stopper



SUS-SJ-100GUS



● Description of product number

**SUS - SJ - 100 GU S**

Bracket type	Wheel diameter	Wheel type	Equipped with stopper
--------------	----------------	------------	-----------------------

Bracket = Stainless steel

Product number	Wheels	Wheel diameter	Wheel width	Mounting height	Mounting base	Mounting dimensions	Hole diameter	Eccentricity	Turning radius	Allowance load	Wheel weight
		D(mm)	W(mm)	H(mm)	A × B(mm)	X × Y(X' × Y') (mm)	P(mm)	E(mm)	R(mm)	daN(kgf)	(g)
SUS-SJ-100	NR Rubber wheel with nylon wheel assembly (including B)	100	32	132	90 × 90	71 × 71 (68 × 68)	11	32	82	100(102.0)	940
	N Nylon wheel								83	100(102.0)	830
	NB Nylon wheel (including B)								83	100(102.0)	930
	GU Urethane wheel with nylon wheel assembly (including B)								82	100(102.0)	870
SUS-SJ-125	GU S Urethane wheel with nylon wheel assembly (including B)	125	32	168	102 × 102	80 × 80 (75 × 75)	11	32	97	120(122.4)	1100

● These casters are used for only locking rotation of the wheel.

Wheel in use

Refer to P162 for detailed specifications.



NR

Rubber wheel with nylon wheel assembly (including B)



N

Nylon wheel



NB

Nylon wheel (including B)



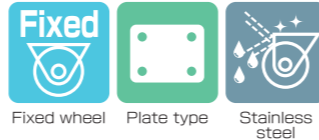
GU

Urethane wheel with nylon wheel assembly (including B)

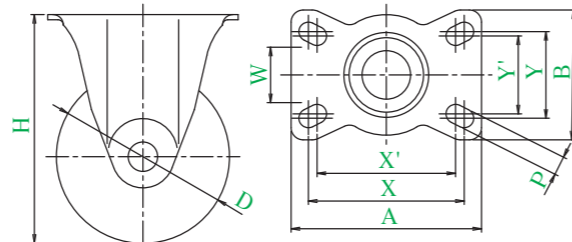
## SUS-SK TYPE



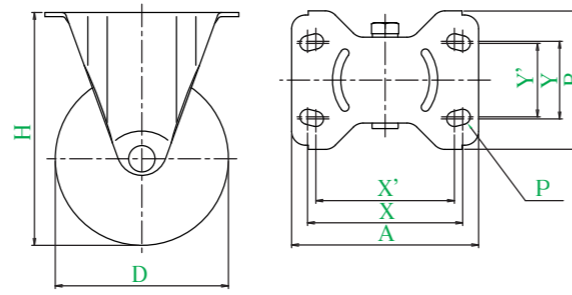
There are some non-conforming products.



SUS-SK-100GU



\*SUS-SK-100



\*SUS-SK-125

### Description of product number

**SUS - SK - 100 GU**

Bracket type  
Wheel diameter  
Wheel type

Bracket = Stainless steel

Product number	Wheels	Wheel diameter	Wheel width	Mounting height	Mounting base	Mounting dimensions	Hole diameter	Allowance load	Wheel weight
		D(mm)	W(mm)	H(mm)	A × B(mm)	X × Y (X' × Y') (mm)	P(mm)	daN(kgf)	(g)
SUS-SK-100	NR Rubber wheel with nylon wheel assembly (including B)	100	32	132	110 × 75	90 × 50 (80 × 45)	11	100(102.0)	630
	N Nylon wheel							540	
	NB Nylon wheel (including B)							620	
	GU Urethane wheel with nylon wheel assembly (including B)							660	
SUS-SK-125	GU Urethane wheel with nylon wheel assembly (including B)	125	32	168	135 × 100	112 × 53 (100 × 56)	11	120(122.4)	980

※ Mounting dimensions of SUS-SK-125 is X + Y'(X' + Y)

#### Wheel in use

Refer to P162 for detailed specifications.

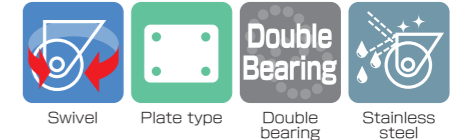


NR Rubber wheel with nylon wheel assembly (including B)  
N Nylon wheel  
NB Nylon wheel (including B)  
GU Urethane wheel with nylon wheel assembly (including B)

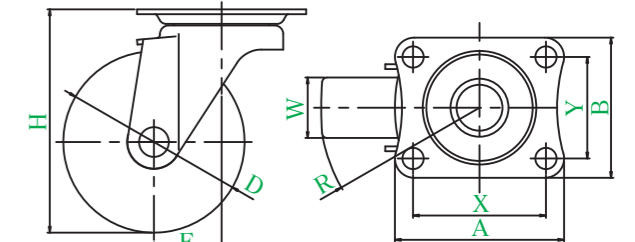
## SUS-SG TYPE



There are some non-conforming products.



SUS-SG-75N



### Description of product number

**SUS - SG - 75 N**

Bracket type  
Wheel diameter  
Wheel type

Bracket = Stainless steel

Product number	Wheels	Wheel diameter	Wheel width	Mounting height	Mounting base	Mounting dimensions	Hole diameter	Eccentricity	Turning radius	Allowance load	Wheel weight
		D(mm)	W(mm)	H(mm)	A × B(mm)	X × Y (mm)	P(mm)	E(mm)	R(mm)	daN(kgf)	(g)
SUS-SG-50	RH Rubber wheel	50	28	70	70 × 58	55 × 42	8.8	27	53	50(51.0)	275
	N Nylon wheel		25							60(61.2)	240
	UR Urethane wheel with nylon wheel assembly		25							60(61.2)	245
SUS-SG-65	RH Rubber wheel	65	25	85	70 × 58	55 × 42	8.8	27	61	50(51.0)	375
	N Nylon wheel									70(71.4)	260
	UR Urethane wheel with nylon wheel assembly									60(61.2)	285
	EL Elastomer wheel									40(40.8)	
SUS-SG-75	RH Rubber wheel	75	25	93	70 × 58	55 × 42	8.8	28	66	60(61.2)	360
	NR Rubber wheel with nylon wheel assembly		27							60(61.2)	290
	N Nylon wheel		25							80(81.6)	275
	UR Urethane wheel with nylon wheel assembly		26							70(71.4)	300
	EL Elastomer wheel		27							50(51.0)	300

● Conductive rubber wheel having wheel diameter of φ 75 can be manufactured.

#### Wheel in use

Refer to P163 for detailed specifications.



RH Rubber wheel  
NR Rubber wheel with nylon wheel assembly  
N Nylon wheel  
UR Urethane wheel with nylon wheel assembly  
EL Elastomer wheel

## SUS-SG-S TYPE

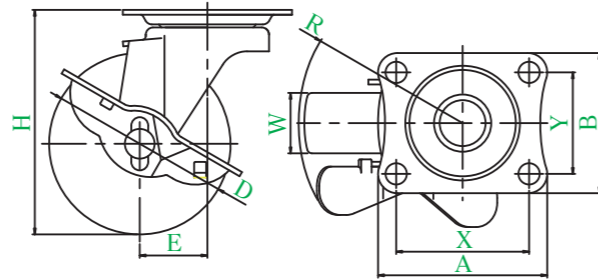
There are some non-conforming products.

- RoHS Compliant
- Swivel
- Plate type
- Equipped with a single stopper
- Double Bearing
- Stainless steel

• Equipped with a pedal type single stopper



SUS-SG-75RHS



● Description of product number

**SUS - SG - 75 RH S**

Bracket type  
Wheel diameter  
Wheel type  
Equipped with stopper

Bracket = Stainless steel

Product number	Wheels	Wheel diameter	Wheel width	Mounting height	Mounting base	Mounting dimensions	Hole diameter	Eccentricity	Turning radius	Allowance load	Wheel weight
		D(mm)	W(mm)	H(mm)	A × B(mm)	X × Y(mm)	P(mm)	E(mm)	R(mm)	daN(kgf)	(g)
SUS-SG-50	RH Rubber wheel	50	28	70	70 × 58	55 × 42	8.8	27	67	50(51.0)	300
	N Nylon wheel		25							60(61.2)	275
	UR Urethane wheel with nylon wheel assembly		25							60(61.2)	280
SUS-SG-65	RH Rubber wheel	65	25	85	70 × 58	55 × 42	8.8	27	67	50(51.0)	415
	N Nylon wheel									70(71.4)	300
	UR Urethane wheel with nylon wheel assembly		60(61.2)							330	
	EL Elastomer wheel		27							40(40.8)	
SUS-SG-75	RH Rubber wheel	75	25	93	70 × 58	55 × 42	8.8	28	68	60(61.2)	455
	NR Rubber wheel with nylon wheel assembly		27							60(61.2)	355
	N Nylon wheel		25							80(81.6)	320
	UR Urethane wheel with nylon wheel assembly		26							70(71.4)	345
	EL Elastomer wheel		27							50(51.0)	345

- These casters are used for only locking rotation of the wheel.
- Conductive rubber wheel having wheel diameter of φ 75 can be manufactured.

Wheel in use

Refer to P163 for detailed specifications.



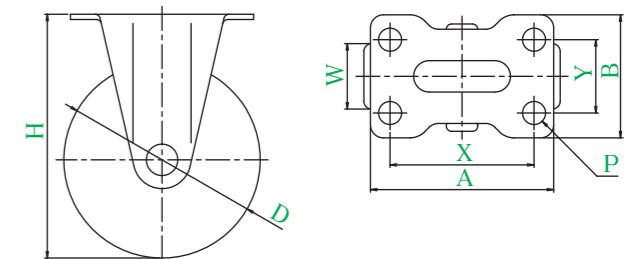
## SUS-SR TYPE

There are some non-conforming products.

- RoHS Compliant
- Fixed wheel
- Plate type
- Stainless steel



SUS-SR-75RH



● Description of product number

**SUS - SR - 75 RH**

Bracket type  
Wheel diameter  
Wheel type

Bracket = Stainless steel

Product number	Wheels	Wheel diameter	Wheel width	Mounting height	Mounting base	Mounting dimensions	Hole diameter	Allowance load	Wheel weight
		D(mm)	W(mm)	H(mm)	A × B(mm)	X × Y(mm)	P(mm)	daN(kgf)	(g)
SUS-SR-50	RH Rubber wheel	50	28	70	70 × 47	55 × 28	8.8	50(51.0)	185
	N Nylon wheel		25					60(61.2)	150
	UR Urethane wheel with nylon wheel assembly		25					60(61.2)	155
SUS-SR-65	RH Rubber wheel	65	25	85	70 × 47	55 × 28	8.8	50(51.0)	275
	N Nylon wheel							70(71.4)	160
	UR Urethane wheel with nylon wheel assembly		60(61.2)					185	
	EL Elastomer wheel		27					40(40.8)	
SUS-SR-75	RH Rubber wheel	75	25	93	70 × 47	55 × 28	8.8	60(61.2)	265
	NR Rubber wheel with nylon wheel assembly		27					60(61.2)	195
	N Nylon wheel		25					80(81.6)	180
	UR Urethane wheel with nylon wheel assembly		26					70(71.4)	200
	EL Elastomer wheel		27					50(51.0)	190

- Conductive rubber wheel having wheel diameter of φ 75 can be manufactured.

Wheel in use

Refer to P163 for detailed specifications.



## SUS-ST TYPE



There are some non-conforming products.



Swivel



Screw-in type



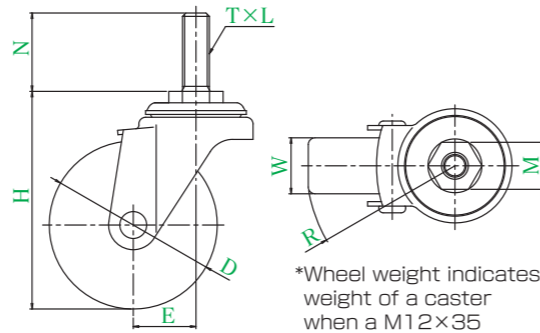
Double bearing



Stainless steel



SUS-ST-75UR, M16×40



\*Wheel weight indicates weight of a caster when a M12×35 screw is used.

● Description of product number  
Please specify screw type and length.

**SUS - ST - 75 UR , M16 × 40**

Bracket type	Wheel diameter	Wheel type	Screw	Length
--------------	----------------	------------	-------	--------

Bracket = Stainless steel

Product number	Wheels	Wheel diameter	Wheel width	Mounting height	Screw	Pitch	Length	Opposite side	Eccentricity	Turning radius	Allowance load	Wheel weight
		D(mm)	W(mm)	H(mm)	T	L	N(mm)	M(mm)	E(mm)	R(mm)	daN(kgf)	(g)
SUS-ST-50	RH Rubber wheel	50	28	74					27	53	50(51.0)	285
	N Nylon wheel										60(61.2)	250
	UR Urethane wheel with nylon wheel assembly										60(61.2)	260
SUS-ST-65	RH Rubber wheel	65	25	89					27	61	50(51.0)	385
	N Nylon wheel										70(71.4)	270
	UR Urethane wheel with nylon wheel assembly										60(61.2)	295
	EL Elastomer wheel										40(40.8)	345
SUS-ST-75	RH Rubber wheel	75	25	97					28	66	60(61.2)	370
	NR Rubber wheel with nylon wheel assembly		27								60(61.2)	300
	N Nylon wheel		25								80(81.6)	290
	UR Urethane wheel with nylon wheel assembly		26								70(71.4)	305
	EL Elastomer wheel		27								50(51.0)	305

- Conductive rubber wheel having wheel diameter of  $\phi$  75 can be manufactured.
- Allowable load is the allowable load when the stem is screwed in to the end.
- ★ Refer to P7 for the mounting method.

### Wheel in use

Refer to P163 for detailed specifications.



## SUS-ST-S TYPE



There are some non-conforming products.



Swivel



Screw-in type



Equipped with a single stopper



Double bearing

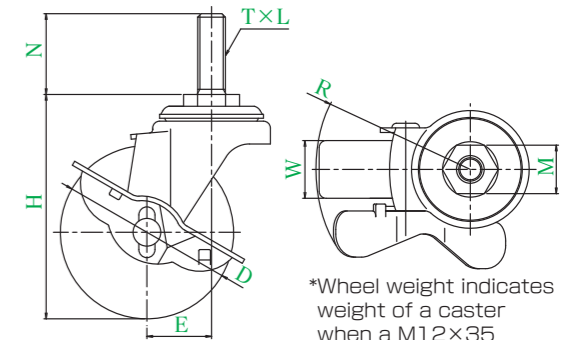


Stainless steel

• Equipped with a pedal type single stopper



SUS-ST-75RHS, M12×35



\*Wheel weight indicates weight of a caster when a M12×35 screw is used.

● Description of product number  
Please specify screw type and length.

**SUS - ST - 75 RH S , M12 × 35**

Bracket type	Wheel diameter	Wheel type	Equipped with stopper	Screw	Length
--------------	----------------	------------	-----------------------	-------	--------

Bracket = Stainless steel

Product number	Wheels	Wheel diameter	Wheel width	Mounting height	Screw	Pitch	Length	Opposite side	Eccentricity	Turning radius	Allowance load	Wheel weight
		D(mm)	W(mm)	H(mm)	T	L	N(mm)	M(mm)	E(mm)	R(mm)	daN(kgf)	(g)
SUS-ST-50	RH Rubber wheel	50	28	74					27	67	50(51.0)	315
	N Nylon wheel										60(61.2)	290
	UR Urethane wheel with nylon wheel assembly										60(61.2)	290
SUS-ST-65	RH Rubber wheel	65	25	89					27	67	50(51.0)	435
	N Nylon wheel										70(71.4)	315
	UR Urethane wheel with nylon wheel assembly										60(61.2)	335
	EL Elastomer wheel										40(40.8)	395
SUS-ST-75	RH Rubber wheel	75	25	97					28	68	60(61.2)	425
	NR Rubber wheel with nylon wheel assembly		27								60(61.2)	365
	N Nylon wheel		25								80(81.6)	330
	UR Urethane wheel with nylon wheel assembly		26								70(71.4)	360
	EL Elastomer wheel		27								50(51.0)	360

- These casters are used for only locking rotation of the wheel.
- Conductive rubber wheel having wheel diameter of  $\phi$  75 can be manufactured.
- Allowable load is the allowable load when the stem is screwed in to the end.
- ★ Refer to P7 for the mounting method.

### Wheel in use

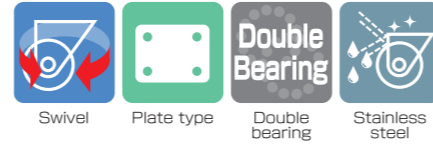
Refer to P163 for detailed specifications.



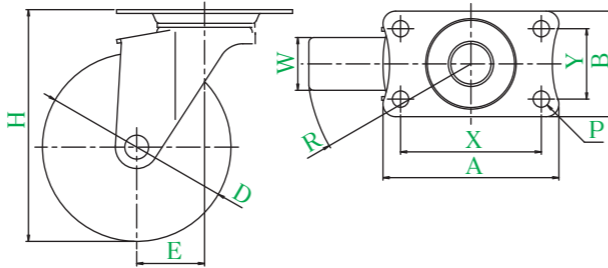
## SUS-E TYPE



There are some non-conforming products.



SUS-E-100N



● Description of product number

**SUS - E - 100 N**

Bracket type  
Wheel diameter  
Wheel type

Bracket = Stainless steel

Product number	Wheels	Wheel diameter	Wheel width	Mounting height	Mounting base	Mounting dimensions	Hole diameter	Eccentricity	Turning radius	Allowance load	Wheel weight
		D(mm)	W(mm)	H(mm)	A × B(mm)	X × Y(mm)	P(mm)	E(mm)	R(mm)	daN(kgf)	(g)
SUS-E-50	R Rubber wheel	50	20	65	70 × 42	56 × 28	6.5	22	47	30(30.6)	155
	N Nylon wheel		21							40(40.8)	130
	UR Urethane wheel with nylon wheel assembly		20							38(38.8)	145
	EL Elastomer wheel		25(25.5)							135	
SUS-E-65	RH Rubber wheel	65	21	82	70 × 42	56 × 28	6.5	23	56	30(30.6)	205
	N Nylon wheel									40(40.8)	160
	UR Urethane wheel with nylon wheel assembly									40(40.8)	170
	EL Elastomer wheel									40(40.8)	245
SUS-E-75	RH Rubber wheel	75	21	92	70 × 42	56 × 28	6.5	27	65	50(51.0)	170
	N Nylon wheel									45(45.9)	190
	UR Urethane wheel with nylon wheel assembly									30(30.6)	195
	EL Elastomer wheel									50(51.0)	520
SUS-E-100	RH Rubber wheel	100	25	122	100 × 58	82 × 40	8.8	31	82	60(61.2)	440
	NR Rubber wheel with nylon wheel assembly		27							60(61.2)	370
	N Nylon wheel		25							60(61.2)	405
	UR Urethane wheel with nylon wheel assembly		28							50(51.0)	395
	EL Elastomer wheel		27								

- Conductive rubber wheel can be manufactured.
- The antistatic urethane wheel having wheel diameter of φ 100 can be manufactured.

Wheel in use

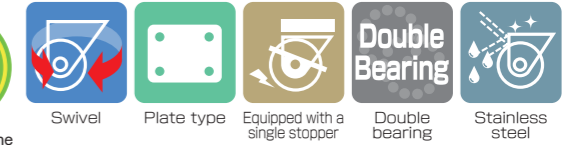
Refer to P163 for detailed specifications.



## SUS-E-S TYPE



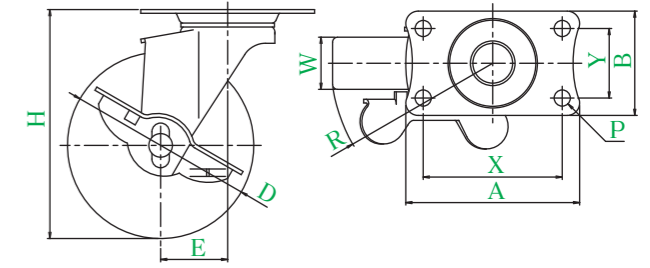
There are some non-conforming products.



● Equipped with a pedal type single stopper



SUS-E-65URS



● Description of product number

**SUS - E - 65 UR S**

Bracket type  
Wheel diameter  
Wheel type  
Equipped with stopper

Bracket = Stainless steel

Product number	Wheels	Wheel diameter	Wheel width	Mounting height	Mounting base	Mounting dimensions	Hole diameter	Eccentricity	Turning radius	Allowance load	Wheel weight
		D(mm)	W(mm)	H(mm)	A × B(mm)	X × Y(mm)	P(mm)	E(mm)	R(mm)	daN(kgf)	(g)
SUS-E-50	R Rubber wheel	50	20	65	70 × 42	56 × 28	6.5	22	51	30(30.6)	180
	N Nylon wheel		21							40(40.8)	155
	UR Urethane wheel with nylon wheel assembly		20							38(38.8)	165
	EL Elastomer wheel		25(25.5)							155	
SUS-E-65	RH Rubber wheel	65	21	82	70 × 42	56 × 28	6.5	23	56	30(30.6)	240
	N Nylon wheel									40(40.8)	185
	UR Urethane wheel with nylon wheel assembly									40(40.8)	195
	EL Elastomer wheel									40(40.8)	275
SUS-E-75	RH Rubber wheel	75	21	92	70 × 42	56 × 28	6.5	27	65	50(51.0)	200
	N Nylon wheel									45(45.9)	215
	UR Urethane wheel with nylon wheel assembly									30(30.6)	225
	EL Elastomer wheel									50(51.0)	595
SUS-E-100	RH Rubber wheel	100	25	122	100 × 58	82 × 40	8.8	31	82	60(61.2)	505
	NR Rubber wheel with nylon wheel assembly		27							60(61.2)	440
	N Nylon wheel		25							60(61.2)	470
	UR Urethane wheel with nylon wheel assembly		28							50(51.0)	455
	EL Elastomer wheel		27								

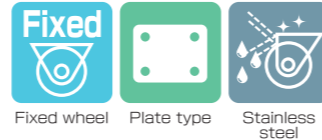
- These casters are used for only locking rotation of the wheel.
- Conductive rubber wheel can be manufactured.
- The antistatic urethane wheel having wheel diameter of φ 100 can be manufactured.

Wheel in use

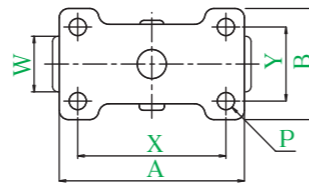
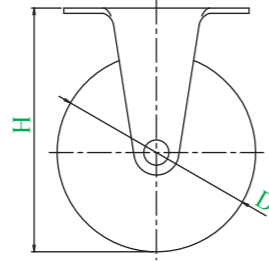
Refer to P163 for detailed specifications.



## SUS-ER TYPE



SUS-ER-100N



● Description of product number

**SUS - ER - 100 N**

Bracket type	Wheel diameter	Wheel type
--------------	----------------	------------

Bracket = Stainless steel

Product number	Wheels	Wheel diameter	Wheel width	Mounting height	Mounting base	Mounting dimensions	Hole diameter	Allowance load	Wheel weight
		D(mm)	W(mm)	H(mm)	A × B(mm)	X × Y(mm)	P(mm)	daN(kgf)	(g)
SUS-ER-50	R Rubber wheel	50	20	65	70 × 42	56 × 28	6.5	30(30.6)	120
	N Nylon wheel		21					40(40.8)	95
	UR Urethane wheel with nylon wheel assembly		20					38(38.8)	100
	EL Elastomer wheel		25(25.5)					95	
SUS-ER-65	RH Rubber wheel	65	21	82	70 × 42	56 × 28	6.5	30(30.6)	165
	N Nylon wheel							40(40.8)	120
	UR Urethane wheel with nylon wheel assembly							40(40.8)	130
	EL Elastomer wheel							40(40.8)	200
SUS-ER-75	RH Rubber wheel	75	21	92	70 × 42	56 × 28	6.5	50(51.0)	130
	N Nylon wheel							45(45.9)	140
	UR Urethane wheel with nylon wheel assembly							30(30.6)	150
	EL Elastomer wheel							50(51.0)	460
SUS-ER-100	RH Rubber wheel	100	25	122	100 × 58	82 × 40	8.8	60(61.2)	380
	NR Rubber wheel with nylon wheel assembly		27					60(61.2)	305
	N Nylon wheel		25					60(61.2)	335
	UR Urethane wheel with nylon wheel assembly		28					50(51.0)	325
	EL Elastomer wheel		27						

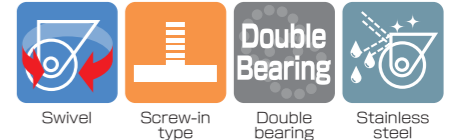
- Conductive rubber wheel can be manufactured.
- The antistatic urethane wheel having wheel diameter of φ 100 can be manufactured.

Wheel in use

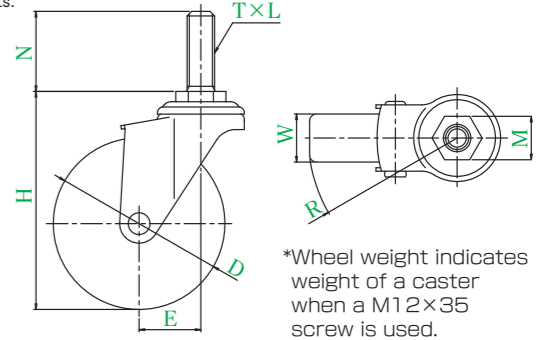
Refer to P163 for detailed specifications.



## SUS-ET TYPE



SUS-ET-100UR, M16×40



\*Wheel weight indicates weight of a caster when a M12×35 screw is used.

● Description of product number  
Please specify screw type and length.

**SUS - ET - 100 UR , M16 × 40**

Bracket type	Wheel diameter	Wheel type	Screw	Length
--------------	----------------	------------	-------	--------

Bracket = Stainless steel

Product number	Wheels	Wheel diameter	Wheel width	Mounting height	Screw	Pitch	Length	Opposite side	Eccentricity	Turning radius	Allowance load	Wheel weight
		D(mm)	W(mm)	H(mm)	T	L	N(mm)	M(mm)	E(mm)	R(mm)	daN(kgf)	(g)
SUS-ET-50	R Rubber wheel	50	21	68					22	47	30(30.6)	165
	N Nylon wheel										40(40.8)	140
	UR Urethane wheel with nylon wheel assembly										38(38.8)	150
	EL Elastomer wheel										25(25.5)	140
SUS-ET-65	RH Rubber wheel	65	21	85	M12	1.75	35	19	23	56	30(30.6)	210
	N Nylon wheel										40(40.8)	160
	UR Urethane wheel with nylon wheel assembly										40(40.8)	170
	EL Elastomer wheel										40(40.8)	245
SUS-ET-75	RH Rubber wheel	75	21	95					27	65	50(51.0)	175
	N Nylon wheel										45(45.9)	190
	UR Urethane wheel with nylon wheel assembly										30(30.6)	195
	EL Elastomer wheel										50(51.0)	505
SUS-ET-100	RH Rubber wheel	100	25	126	M12	1.75	35	21	31	82	60(61.2)	505
	NR Rubber wheel with nylon wheel assembly		27								60(61.2)	350
	N Nylon wheel		25								60(61.2)	385
	UR Urethane wheel with nylon wheel assembly		28								50(51.0)	380
	EL Elastomer wheel		27									

- Allowable load is the allowable load when the stem is screwed in to the end.
- Conductive rubber wheel can be manufactured.
- The antistatic urethane wheel having wheel diameter of φ 100 can be manufactured.
- ★ Refer to P7 for the mounting method.

Wheel in use

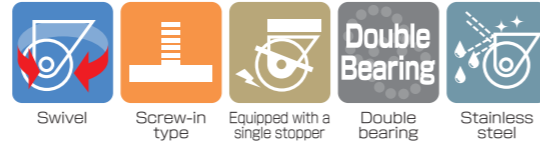
Refer to P163 for detailed specifications.



## SUS-ET-S TYPE



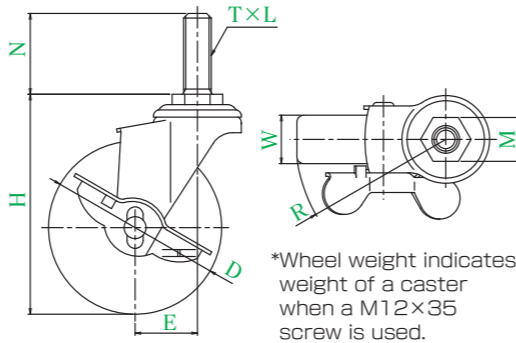
There are some non-conforming products.



• Equipped with a pedal type single stopper



SUS-ET-100URS, M16×40



\*Wheel weight indicates weight of a caster when a M12×35 screw is used.

● Description of product number  
Please specify screw type and length.

**SUS - ET - 100 UR S , M16 × 40**

Bracket type	Wheel diameter	Wheel type	Equipped with stopper	Screw	Length
--------------	----------------	------------	-----------------------	-------	--------

Bracket = Stainless steel

Product number	Wheels	Wheel diameter	Wheel width	Mounting height	Screw	Pitch	Length	Opposite side	Eccentricity	Turning radius	Allowance load	Wheel weight
		D(mm)	W(mm)	H(mm)	T	L	N(mm)	M(mm)	E(mm)	R(mm)	daN(kgf)	(g)
SUS-ET-50	R Rubber wheel	50	20	68	M12	1.75	35	19	22	49	30(30.6)	185
	N Nylon wheel										40(40.8)	165
	UR Urethane wheel with nylon wheel assembly										38(38.8)	170
	EL Elastomer wheel										25(25.5)	160
SUS-ET-65	RH Rubber wheel	65	21	85	M12	1.75	35	19	23	57	30(30.6)	240
	N Nylon wheel										40(40.8)	190
	UR Urethane wheel with nylon wheel assembly										40(40.8)	200
	EL Elastomer wheel										40(40.8)	280
SUS-ET-75	RH Rubber wheel	75	21	95	M12	1.75	35	19	27	65	50(51.0)	205
	N Nylon wheel										45(45.9)	220
	UR Urethane wheel with nylon wheel assembly										30(30.6)	225
	EL Elastomer wheel										50(51.0)	565
SUS-ET-100	RH Rubber wheel	100	25	126	M12	1.75	35	21	31	82	60(61.2)	565
	NR Rubber wheel with nylon wheel assembly										60(61.2)	400
	N Nylon wheel										60(61.2)	445
	UR Urethane wheel with nylon wheel assembly										50(51.0)	440
	EL Elastomer wheel										50(51.0)	440

- Allowable load is the allowable load when the stem is screwed in to the end.
- These casters are used for only locking rotation of the wheel.
- Conductive rubber wheel can be manufactured.

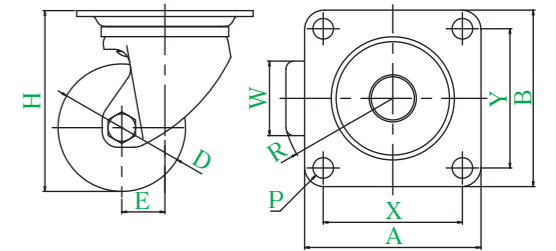
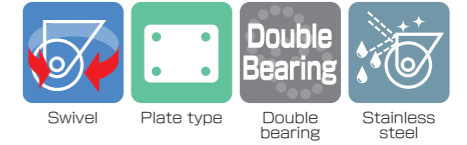
- The antistatic urethane wheel having wheel diameter of φ 100 can be manufactured.
- ★ Refer to P7 for the mounting method.

### Wheel in use

Refer to P163 for detailed specifications.



## SUS-HG TYPE



SUS-HG-65PB

● Description of product number  
**SUS - HG - 65 PB**

Bracket type	Wheel diameter	Wheel type
--------------	----------------	------------

Bracket = Stainless steel

Product number	Wheels	Wheel diameter	Wheel width	Mounting height	Mounting base	Mounting dimensions	Hole diameter	Eccentricity	Turning radius	Allowance load	Wheel weight
		D(mm)	(mm)	H(mm)	A × B(mm)	X × Y(mm)	P(mm)	E(mm)	(mm)	daN(kgf)	(g)
SUS-HG-50	GNB Reinforced nylon wheel	50	28	68	64 × 64	50 × 50	6.5	25	51	120(122.4)	290
	MC MC nylon wheel									120(122.4)	
	MCE MC nylon wheel (conductive)									120(122.4)	
	PB Phenol wheel (including B)									230(234.6)	815
SUS-HG-65	GNB Reinforced nylon wheel (including B)	65	38	92	90 × 90	71 × 71	10.5	22	57	230(234.6)	
	MC MC nylon wheel (including B)									230(234.6)	
	MCEB MC nylon wheel (including B) (conductive)									230(234.6)	
	PB Phenol wheel (including B)									250(255.0)	910
SUS-HG-75	GNB Reinforced nylon wheel (including B)	75	38	106	90 × 90	71 × 71	10.5	22	61	250(255.0)	
	MC MC nylon wheel (including B)									250(255.0)	
	MCEB MC nylon wheel (including B) (conductive)									250(255.0)	
										250(255.0)	

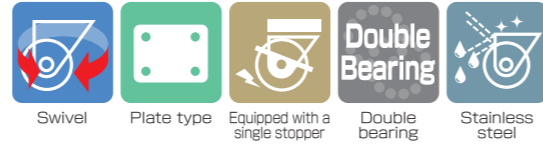
### Wheel in use

Refer to P164 for detailed specifications.



## SUS-HG-S TYPE

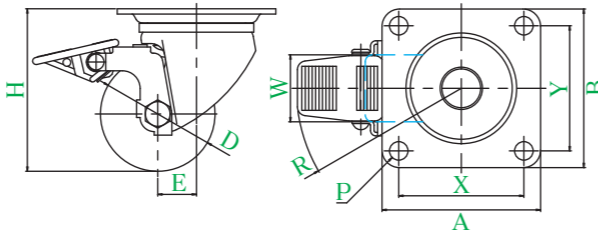
• Equipped with a pedal type single stopper



SUS-HG-75PBS



SUS-HG-50GNBS



● Description of product number  
**SUS - HG - 75 PB S**  
 Bracket type  
 Wheel diameter  
 Wheel type  
 Equipped with stopper

Bracket = Stainless steel

Product number	Wheels	Wheel diameter	Wheel width	Mounting height	Mounting base	Mounting dimensions	Hole diameter	Eccentricity	Turning radius	Allowance load	Wheel weight
		D(mm)	(mm)	H(mm)	A × B(mm)	X × Y(mm)	P(mm)	E(mm)	(mm)	daN(kgf)	(g)
SUS-HG-50	GNB Reinforced nylon wheel	50	28	68	64 × 64	50 × 50	6.5	25	65	120(122.4)	330
	MC MC nylon wheel		25							120(122.4)	
	MCE MC nylon wheel (conductive)									120(122.4)	
SUS-HG-65	PB Phenol wheel (including B)	65	38	92	90 × 90	71 × 71	10.5	22	94	230(234.6)	900
	GNB Reinforced nylon wheel (including B)									230(234.6)	
	MC MC nylon wheel (including B)									230(234.6)	
	MCEB MC nylon wheel (including B) (conductive)									230(234.6)	
SUS-HG-75	PB Phenol wheel (including B)	75	38	106	90 × 90	71 × 71	10.5	22	96	250(255.0)	995
	GNB Reinforced nylon wheel (including B)									250(255.0)	
	MC MC nylon wheel (including B)									250(255.0)	
	MCEB MC nylon wheel (including B) (conductive)									250(255.0)	

● These casters are used for only locking rotation of the wheel.

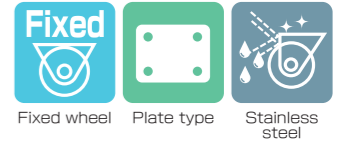
### Wheel in use

Refer to P164 for detailed specifications.

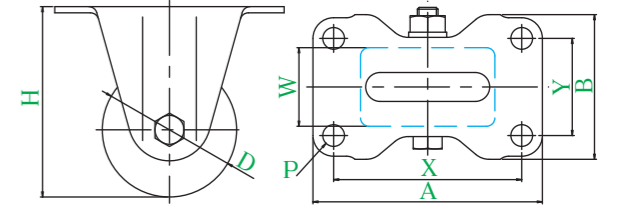


PB Phenol wheel (including B)  
 GNB Reinforced nylon wheel  
 GNB Reinforced nylon wheel (including B)  
 MC MC nylon wheel (including B)  
 MCE MCEB MC nylon wheel (including B) (conductive)

## SUS-HR TYPE



SUS-HR-65PB



● Description of product number  
**SUS - HR - 65 PB**  
 Bracket type  
 Wheel diameter  
 Wheel type

Bracket = Stainless steel

Product number	Wheels	Wheel diameter	Wheel width	Mounting height	Mounting base	Mounting dimensions	Hole diameter	Allowance load	Wheel weight
		D(mm)	W(mm)	H(mm)	A × B(mm)	X × Y(mm)	P(mm)	daN(kgf)	(g)
SUS-HR-50	GNB Reinforced nylon wheel	50	28	68	80 × 50	66 × 36	6.5	120(122.4)	175
	MC MC nylon wheel		25					120(122.4)	
	MCE MC nylon wheel (conductive)							120(122.4)	
SUS-HR-65	PB Phenol wheel (including B)	65	38	92	111 × 70	91 × 47	10.5	230(234.6)	560
	GNB Reinforced nylon wheel (including B)							230(234.6)	
	MC MC nylon wheel (including B)							230(234.6)	
	MCEB MC nylon wheel (including B) (conductive)							230(234.6)	
SUS-HR-75	PB Phenol wheel (including B)	75	38	106	123 × 72	103 × 52	10.5	250(255.0)	675
	GNB Reinforced nylon wheel (including B)							250(255.0)	
	MC MC nylon wheel (including B)							250(255.0)	
	MCEB MC nylon wheel (including B) (conductive)							250(255.0)	

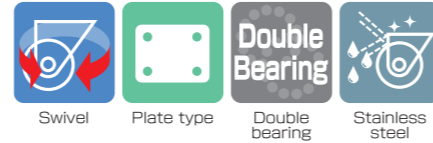
### Wheel in use

Refer to P164 for detailed specifications.

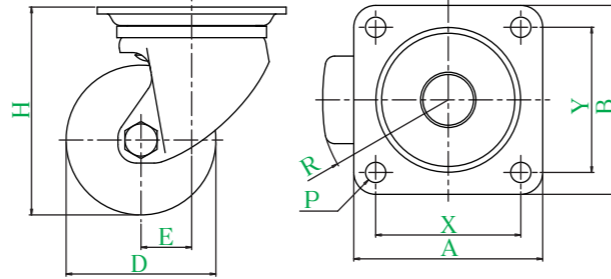


PB Phenol wheel (including B)  
 GNB Reinforced nylon wheel  
 GNB Reinforced nylon wheel (including B)  
 MC MC nylon wheel (including B)  
 MCE MCEB MC nylon wheel (including B) (conductive)

## SUS-HSGTYPE



SUS-HSG-65GFB



● Description of product number  
**SUS-HSG - 65 GFB**  
 Bracket type | Wheel diameter | Wheel type

Bracket = Stainless steel

Product number	Wheels	Wheel diameter	Wheel width	Mounting height	Mounting base	Mounting dimensions	Hole diameter	Eccentricity	Turning radius	Allowance load	Wheel weight
		D(mm)	W(mm)	H(mm)	A × B(mm)	X × Y(mm)	P(mm)	E(mm)	R(mm)	daN(kgf)	(g)
SUS-HSG-50	PB Phenol wheel (including B)	50	38	79	82 × 82	63 × 63	8.8	22	49	250(255.0)	720
	GFB Reinforced nylon wheel (including B)									250(255.0)	670
	MC MC nylon wheel (including B)									250(255.0)	710
	MCE MC nylon wheel (including B) (conductive)									250(255.0)	
SUS-HSG-65	PB Phenol wheel (including B)	65	38	90	82 × 82	63 × 63	8.8	22	56	250(255.0)	805
	GNB Reinforced nylon wheel (including B)									250(255.0)	770
	MC MC nylon wheel (including B)									250(255.0)	780
	MCEB MC nylon wheel (including B) (conductive)									250(255.0)	
SUS-HSG-75	PB Phenol wheel (including B)	75	38	100	82 × 82	63 × 63	8.8	22	61	250(255.0)	870
	GNB Reinforced nylon wheel (including B)									250(255.0)	815
	MC MC nylon wheel (including B)									250(255.0)	840
	MCEB MC nylon wheel (including B) (conductive)									250(255.0)	

### Wheel in use

Refer to P164 for detailed specifications.

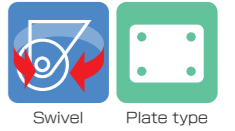


**PB** Phenol wheel (including B)  
**GFB GNB** Reinforced nylon wheel (including B)  
**MC** MC nylon wheel (including B)  
**MCE MCEB** MC nylon wheel (including B) (conductive)

## P TYPE



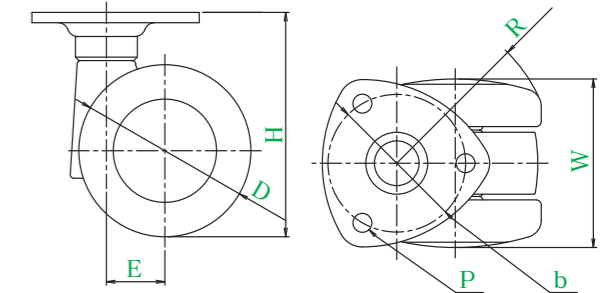
\* Excluding PT



P-50G



P-60G



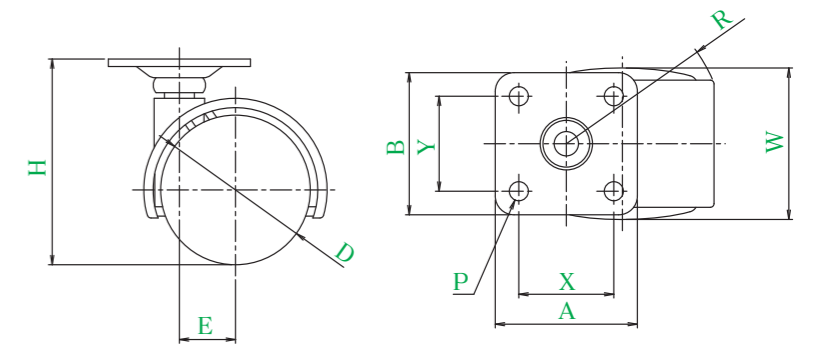
● Description of product number  
**P - 50 G**  
 Body type | Wheel diameter | Intensity

Body, wheel = Nylon

Product number	Wheel diameter	Wheel width	Mounting height	Mounting dimensions	Hole diameter	Eccentricity	Turning radius	Allowance load	Wheel weight
	D(mm)	W(mm)	H(mm)	b(mm)	P(mm)	E(mm)	R(mm)	daN(kgf)	(g)
P-50G	50	49	65	40	5.5	17	46	60(61.2)	150
P-50HG	50	49	65	40	5.5	17	46	100(102.0)	155
P-60G	60	55	79	40	5.5	17	55	100(102.0)	185



PT-40G



Body, wheel = Nylon

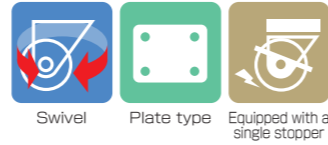
Product number	Wheel diameter	Wheel width	Mounting height	Mounting base	Mounting dimensions	Hole diameter	Eccentricity	Turning radius	Allowance load	Wheel weight
	D(mm)	W(mm)	H(mm)	A × B(mm)	X × Y(mm)	P(mm)	E(mm)	R(mm)	daN(kgf)	(g)
PT-40G	40	40.5	55	38 × 38	25.4 × 25.4	5.1	15	43	20(20.4)	
PT-50G	50	45	65	38 × 38	25.4 × 25.4	5.1	18	51	30(30.6)	

# P-S TYPE



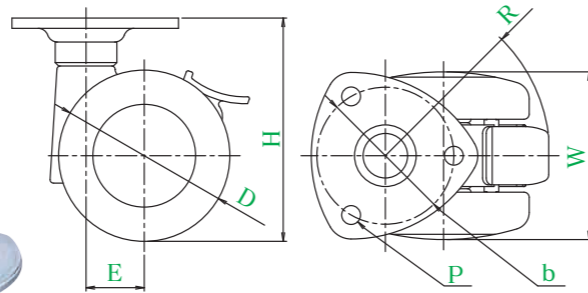
\* Excluding PT

• Equipped with a single stopper



P-50GS

P-60GS



● Description of product number

**P - 50 GS**

Body type  
Wheel diameter  
Intensity type  
Equipped with stopper

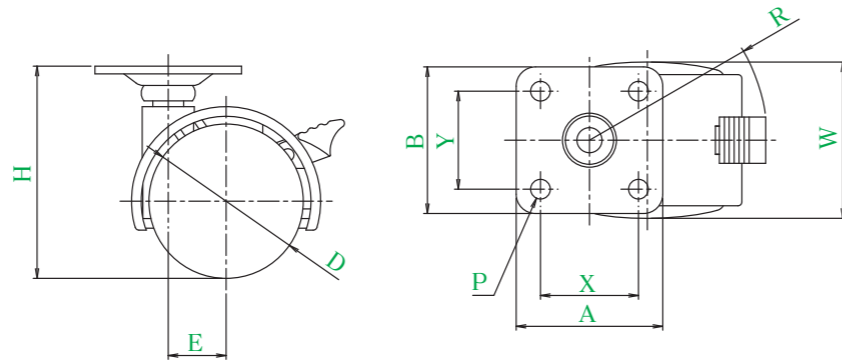
Body, wheel = Nylon

Product number	Wheel diameter	Wheel width	Mounting height	Mounting dimensions	Hole diameter	Eccentricity	Turning radius	Allowance load	Wheel weight
	D(mm)	W(mm)	H(mm)	b(mm)	P(mm)	E(mm)	R(mm)	daN(kgf)	(g)
P-50GS	50	49	65	40	5.5	17	48	60(61.2)	155
P-50HGS	50	49	65	40	5.5	17	48	100(102.0)	160
P-60GS	60	55	79	40	5.5	17	67	100(102.0)	195

● These casters are used for only locking rotation of the wheel.



PT-40GS



Body, wheel = Nylon

Product number	Wheel diameter	Wheel width	Mounting height	Mounting base	Mounting dimensions	Hole diameter	Eccentricity	Turning radius	Allowance load	Wheel weight
	D(mm)	W(mm)	H(mm)	A × B(mm)	X × Y(mm)	P(mm)	E(mm)	R(mm)	daN(kgf)	(g)
PT-40GS	40	40.5	55	38 × 38	25.4 × 25.4	5.1	15	47	20(20.4)	
PT-50GS	50	45	65	38 × 38	25.4 × 25.4	5.1	18	57	30(30.6)	

● These casters are used for only locking rotation of the wheel.

# P TYPE

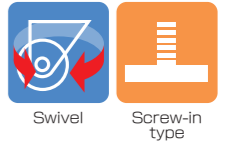
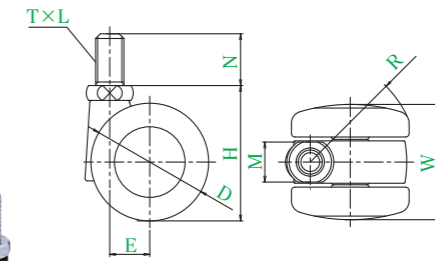


\* Excluding PT



P-50T, M12 × 22

P-60T, M12 × 22



● Description of product number

**P - 50 T, M12 × 22**

Body type  
Wheel diameter  
Screw  
Length

## Specifications of screw-in type

Body, wheel = Nylon

Product number	Wheel diameter	Wheel width	Mounting height	Screw	Pitch	Length	Opposite side	Eccentricity	Turning radius	Allowance load	Wheel weight
	D(mm)	W(mm)	H(mm)	T	L	N(mm)	M(mm)	E(mm)	R(mm)	daN(kgf)	(g)
P-50T	50	49	57.5	M12	1.75	22	17	17	46	60(61.2)	125
P-50HT	50	49	57.5						46	100(102.0)	125
P-60T	60	55	73						55	100(102.0)	160

● Allowable load is the allowable load when the stem is screwed in to the end.

★ Refer to P7 for the mounting method.



PT-50T, M8 × 15

Body, wheel = Nylon

## Specifications of screw-in type

Product number	Wheel diameter	Wheel width	Mounting height	Screw	Pitch and threads per inch	Length	Opposite side	Eccentricity	Turning radius	Allowance load	Wheel weight
	D(mm)	W(mm)	H(mm)	T	L	N(mm)	M(mm)	E(mm)	R(mm)	daN(kgf)	(g)
PT-40T	40	40.5	M8 = 50 M12 = 52 W3/8 = 50	M8	1.25	15	12.7	15	43	20(20.4)	
PT-50T	50	45	M8 = 60 M12 = 62 W3/8 = 60	M12	1.25	14	19	18	51	30(30.6)	

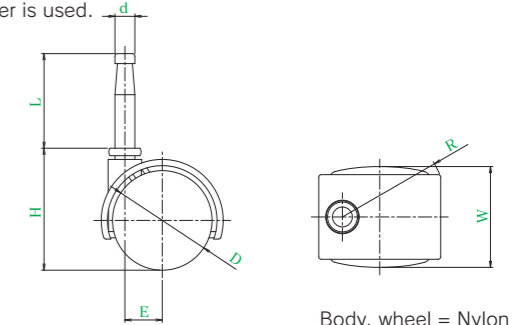
● Allowable load is the allowable load when the stem is screwed in to the end.

● Wheel weight indicates weight of a caster when a screw with the minimum meter is used.

★ Refer to P7 for the mounting method.



PT-40N



Body, wheel = Nylon

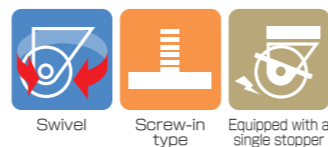
## Specifications of insertion type

Product number	Wheel diameter	Wheel width	Mounting height	Axis diameter	Axis length	Eccentricity	Turning radius	Allowance load	Wheel weight
	D(mm)	W(mm)	H(mm)	d(mm)	L(mm)	E(mm)	R(mm)	daN(kgf)	(g)
PT-40N	40	40.5	49	8	38	15	43	20(20.4)	
PT-50N	50	45	60			18	51	30(30.6)	

● Allowable load is the allowable load when the stem is screwed in to the end.

★ Refer to P7 for the mounting method.

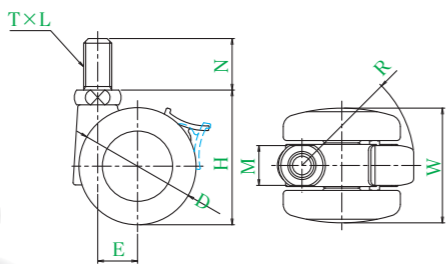
# P-S TYPE



• Equipped with a single stopper



P-50TS, M12×22 P-60TS, M12 x 22



● Description of product number

**P - 60 T S, M12 X 22**

Body type  
Wheel diameter  
Screw  
Equipped with stopper  
T : Screw-in type  
N : Insertion type  
Length

## Specifications of screw-in type (equipped with stopper)

Body, wheel = Nylon

Product number	Wheel diameter	Wheel width	Mounting height	Screw	Pitch	Length	Opposite side	Eccentricity	Turning radius	Allowance load	Wheel weight
	D(mm)	W(mm)	H(mm)	T	L	N(mm)	M(mm)	E(mm)	R(mm)	daN(kgf)	(g)
P-50TS	50	49	57.5	M12	1.75	22	17	17	48	60(61.2)	130
P-50HTS	50	49	57.5						48	100(102.0)	130
P-60TS	60	55	73						67	100(102.0)	170

● These casters are used for only locking rotation of the wheel.  
★ Refer to P7 for the mounting method.



P-40TS, W3/8×15

## Specifications of screw-in type (equipped with stopper)

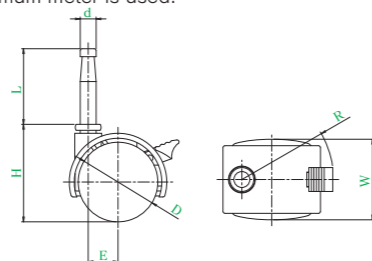
Body, wheel = Nylon

Product number	Wheel diameter	Wheel width	Mounting height	Screw	Pitch and threads per inch	Length	Opposite side	Eccentricity	Turning radius	Allowance load	Wheel weight
	D(mm)	W(mm)	H(mm)	T	L	N(mm)	M(mm)	E(mm)	R(mm)	daN(kgf)	(g)
PT-40TS	40	40.5	M8 = 50 M12 = 52 W3/8 = 50	M8	1.25	15	12.7	15	47	20(20.4)	65
PT-50TS	50	45	M8 = 60 M12 = 62 W3/8 = 60	M12	1.25	14	19	18	57	30(30.6)	105
				W3/8	16 threads	15	12.7				

● These casters are used for only locking rotation of the wheel.  
● Wheel weight indicates weight of a caster when a screw with the minimum meter is used.  
★ Refer to P7 for the mounting method.



PT-40NS



## Specifications of insertion type (equipped with stopper)

Body, wheel = Nylon

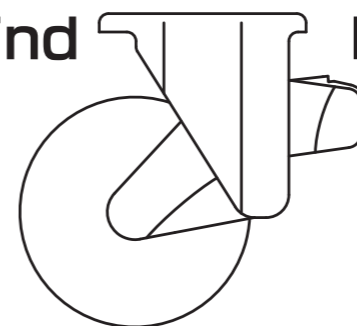
Product number	Wheel diameter	Wheel width	Mounting height	Axis diameter	Axis length	Eccentricity	Turning radius	Allowance load	Wheel weight
	D(mm)	W(mm)	H(mm)	d(mm)	L(mm)	E(mm)	R(mm)	daN(kgf)	(g)
PT-40NS	40	40.5	49	8	38	15	47	20(20.4)	70
PT-50NS	50	45	60			18	57	30(30.6)	105

● These casters are used for only locking rotation of the wheel.

## Front and behind the fixed wheel of SKY caster (φ 200)



Behind Front



Correct traveling direction

\*If the traveling direction of the fixed wheel of a SKY caster is wrong, the caster may be damaged.

## Precautions for using SKY caster φ200

### 1. Precautions for selecting casters

• Please calculate total load to be applied (truck and load) when using four casters with the following formula.

$$\text{Total load to be applied} = \text{Standard load} \times 4 \text{ pieces} \times \text{Safety factor}$$

\* Safety factor shall be appropriately set according to working conditions and operating speed.

Example: Safety factor is approximately 0.8 to 1.0 when manually operating casters

Example: Safety factor is approximately 0.5 to 1.0 when using casters for towing with power

• Please contact us if loading balance is bad, loading is made at high center of gravity, or casters are used under severe condition, such as climbing a hill or road having many curves.

### 2. Precautions for using casters

• Do not use casters while load exceeds the loading limit (total load to be applied) and standard load for one foot.

• Apply load to each caster equally. Otherwise, the truck may lose its balance.

• Start pushing the truck slowly. Otherwise, the truck may lose its balance.

• This caster is not suitable for transferring high load and load having high center of gravity.

• This caster is not suitable for transferring imbalanced load or de-centered load.

• Do not forcibly move the casters while the stopper is applied. Also, do not leave the casters on a slope.

• Do not move the fixed casters to the opposite direction of the traveling direction (back or side, etc.). Otherwise, fixed casters may break.

• Do not apply impact, such as collision and drop.

• Do not leave casters for a long time while load is applied.

(\* If it is necessary to leave casters for a long time while load is applied, the load shall be as low as possible.)

• Do not apply load exceeding standard load on casters.  
• Travel casters at slower than 10km/h when towing.

### 3. Cautions regarding operating environment

• Casters shall be used in a plant under normal condition.

• Casters shall not be affected by special temperature, chemical substances, extreme water or oil, salt, organic solvent, strong acid and strong alkali, etc.

### 4. Storage method

• Please store casters indoors.

• Do not leave or store casters at a place exposed to water or rain, or at humid place.

• Do not leave or store casters at a place exposed to direct sunlight or radiant heat from a heater, etc.

### 5. Precautions when mounting

• Mount revolving casters in such a manner that the revolving axis is vertical.

• For fixed casters, mount casters in such a manner that casters are straight against the traveling direction and casters are parallel respectively. Do not mount casters in the opposite direction of the traveling direction so as not to damage casters.

• Tighten the mounting screw using appropriate tool after checking appropriate torque based on size and intensity.

• Mount the casters in which whole surface of the mounting base contacts the whole surface of the mounting surface.

• Do not insert anything between the mounting surface and the mounting base.

• Do not mix casters having different height and series.

### 6. Periodic check, maintenance, replacement and periodic inspection

Please carry out periodic check, maintenance, replacement and periodic inspection in order to prevent accident and use casters for a long period of time.

• Check YUEI damper (check with touching and visual check using a mirror, etc.) before using casters and replace the damper if there is a fault.

• Please clean foreign substances (dust, etc.) attached on YUEI damper with air after using casters.

• Check the presence of looseness of the fastening portion at the mounting portion, spindle portion, stopper, bolts and nuts. If there is abnormality, stop using the caster and then replace the caster with a new one.

• If a wheel is worn, replace the wheel with a new one (same type) as appropriate.

• If you find any abnormality, please contact a dealer quickly.

• If there is breakage or rattling on a bracket, please stop using the caster and contact us.

• Do not disassemble any parts other than the wheel portion.

### [Recommended timing of periodic inspection]

- (1) Every year after purchase date
- (2) Every 1,200km of traveling distance after beginning of use

However, if significant amount of foreign substances are attached, loading balance is bad, loading is made at high center of gravity, or casters are used under severe condition, such as climbing a hill or road having many curves, we recommend performing the periodic inspection at a timing earlier than above timings.

\* This product may be changed for improvement without any prior notice.

## SKY caster φ200

Excellent shock absorbing performance

Quiet traveling sound

Suitable for towing

By including the YUEI dumper in which materials based on newly-developed special viscoelastic material, vibration acceleration is reduced to approximately 1/5 (compared to our products). Therefore, load can be gently transferred.

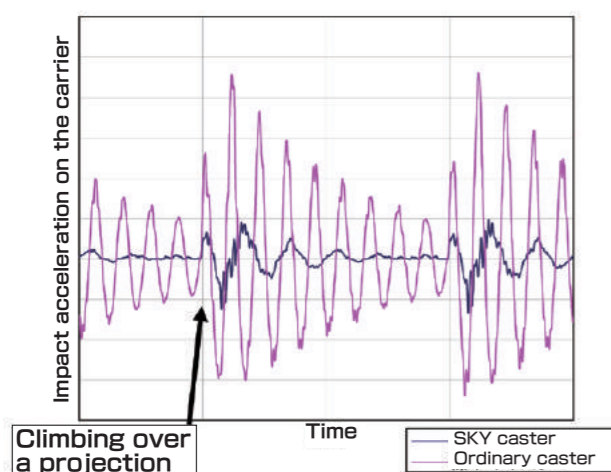
Since the mechanism of the revolving portion was changed from the mechanism in which a steel ball is used to the mechanism in which a ball bearing having a deep groove, and a ball bearing having a deep groove is used for the wheel bearing portion, smooth and quiet rotation becomes possible. In addition, YUEI dumper significantly reduced vibration; therefore traveling sound is very quiet.

Since a ball bearing having a deep groove is used in the revolving portion and the wheel bearing portion, this caster is suitable for high speed rotation. YUEI dumper significantly improved shock absorbing performance and durability (compared to our products); therefore this caster provides long life.

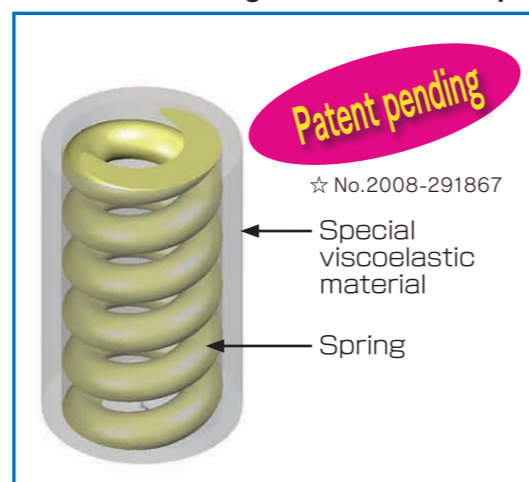
\* When towing with a motor, consider the safety factor according to speed.  
\* Travel casters at slower than 10km/h when towing.

☆ Patent Pending No.2010-064650 Patent Pending No.2008-265478

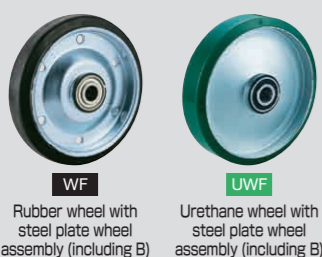
### Comparison of impact acceleration



### Schematic diagram of YUEI dumper



Wheel in use Refer to P165 for detailed specifications.



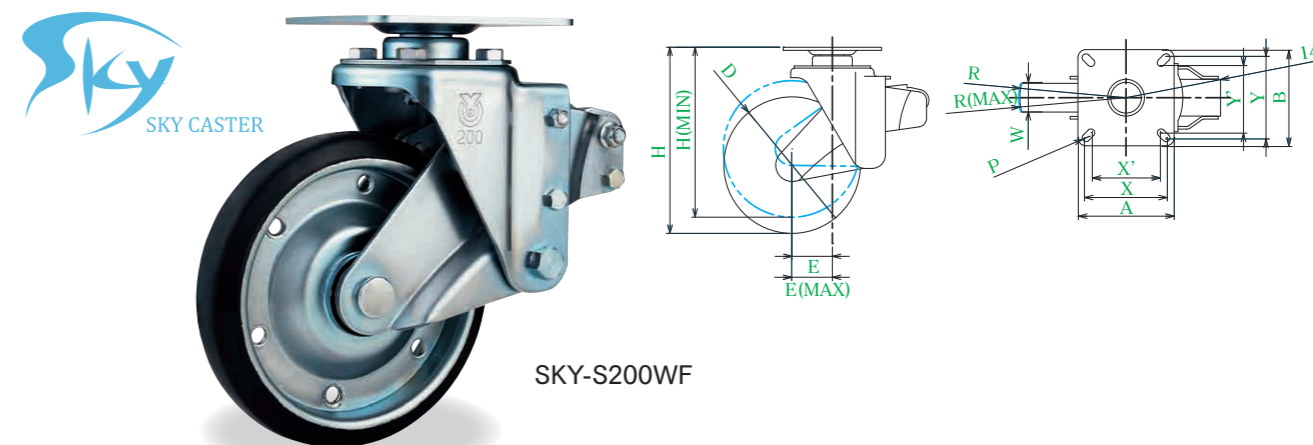
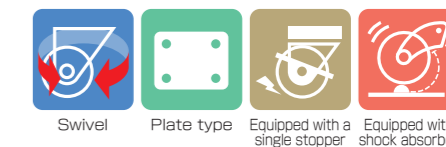
### Description of product number

**SKY - \* \* \***

- Indicating SKY casters**
- Bracket type**: S: Swivel plate type, R: Fixed plate type
- Wheel diameter**: 200: 200mm
- Wheel type**: WF: Rubber wheel with steel plate wheel assembly (including B), UWF: Urethane wheel with steel plate wheel assembly (including B)

● The standard load display on casters with shock absorber does not indicate allowable load. This display shows the load range in which shock absorbing effect is high.  
● Mounting height and eccentricity vary depending on expansion and contraction of YUEI dumper.

# SKY-S<sub>TYPE</sub>

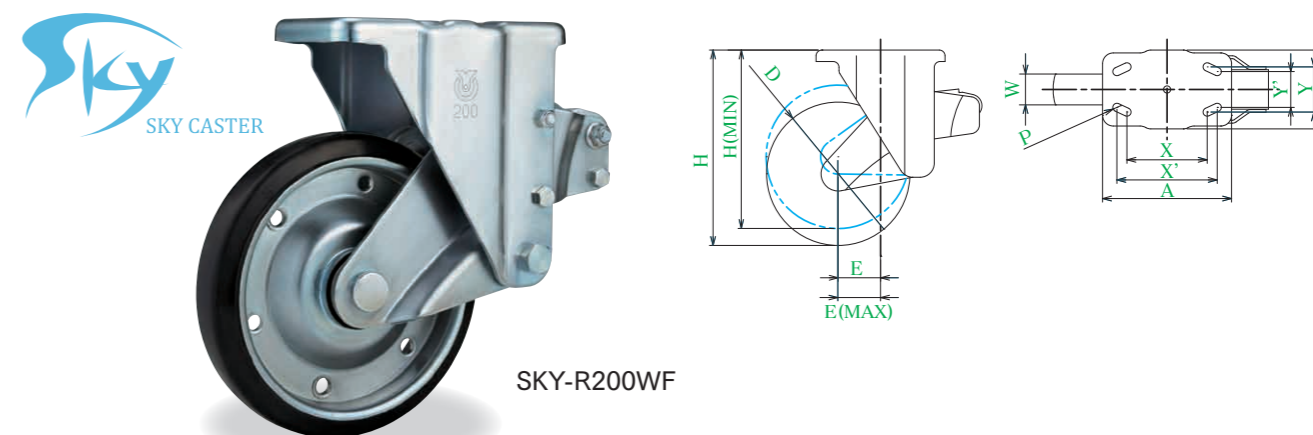
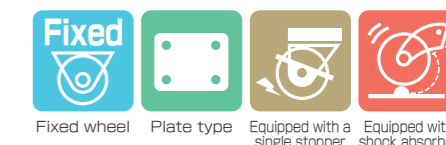


Bracket = Trivalent unichrome coating

Product number	Wheels	Wheel diameter	Wheel width	Mounting base	Mounting dimensions	Hole diameter	Turning radius	Mounting height	Eccentricity	Standard load	Wheel weight
		D(mm)	W(mm)	A × B(mm)	X × Y(X' × Y')(mm)	P(mm)	R(mm)	H(mm)	E(mm)	daN(kgf)	(g)
SKY-S200	WF	200	43	144 × 144 t=4.5	120 × 120 (105 × 105)	11.5	159 to 160	273 to 249	59 to 60	100(102.0) to 200(204.0)	6870
	UWF										7100

● There is a type equipped with a stopper. (This is a caster used for only locking rotation of the wheel.)  
● For turning radius, mounting height and eccentricity, values indicate when the YUEI damper with the maximum stroke instead of when the standard load is applied.

# SKY-R<sub>TYPE</sub>



Bracket = Trivalent unichrome coating

Product number	Wheels	Wheel diameter	Wheel width	Mounting base	Mounting dimensions	Hole diameter	Mounting height	Eccentricity	Standard load	Wheel weight
		D(mm)	W(mm)	A × B(mm)	X × Y(X' × Y')(mm)	P(mm)	H(mm)	E(mm)	daN(kgf)	(g)
SKY-R200	WF	200	43	180 × 110 t=4.0	112 × 63 (140 × 50)	11.5	273 to 249	59 to 60	100(102.0) to 200(204.0)	5780
	UWF									6000

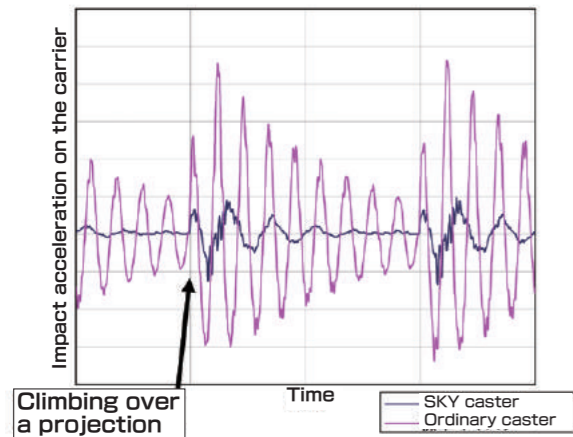
● There is a type equipped with a stopper. (This is a caster used for only locking rotation of the wheel.)  
● For mounting height and eccentricity, values indicate when the YUEI damper with the maximum stroke instead of when the standard load is applied.

## SKY caster (φ100 and φ125)

# These casters are suitable for transporting precision equipment and parts!

Shock and vibration are absorbed by the built-in YUEI damper!  
Also, vibration and noise during traveling are prevented!

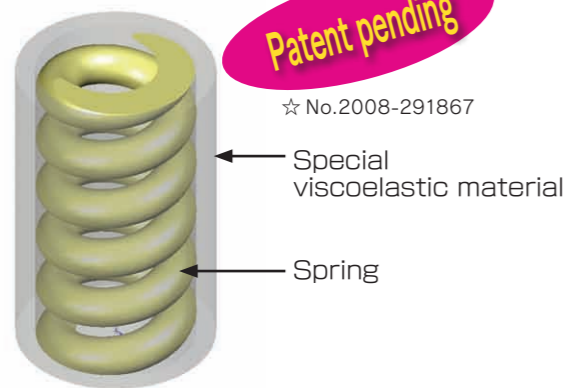
Comparison of vibration acceleration



The mechanism in which the ball bearing with a deep groove is used for the revolving portion. Therefore, these casters travel smoothly and quietly.



Schematic diagram of YUEI damper



☆ No.2008-291867

Special viscoelastic material

Spring

1. YUEI damper in which special viscoelastic material is used is adopted.
2. Damper does not need to be replaced.

Table for selecting standard load

(Note) This table is based on the calculation on the assumption that 4 pieces of casters are used.

Total load Type	20daN (20.4kgf)	30daN (30.6kgf)	40daN (40.8kgf)	50daN (51.0kgf)	60daN (61.2kgf)	70daN (71.4kgf)	80daN (81.6kgf)	90daN (91.8kgf)	100daN (102.0kgf)	110daN (112.2kgf)	120daN (122.4kgf)
SKY * - * - 1 Standard load: 10daN (10.2kgf)	Applicable load										
SKY * - * - 2 Standard load: 20daN (20.4kgf)				Applicable load							
SKY * - * - 3 Standard load: 30daN (30.6kgf)							Applicable load				

### Precautions for using

#### 1. Precautions when selecting

- Select the standard load within the range of load to be applied according to total load (truck and load).

In case of using 4 pieces of casters:

Load to be applied - Standard load x 4 pieces x Safety factor (0.5 to 1.0)

- If loading balance is bad, loading is made at high center of gravity, or casters are used under severe condition, such as climbing a hill or road having many curves, consider suitable safety factor and type having high standard load (range indicated by the white arrow in the applied load).

#### 2. Precautions for using

- Do not use casters while load exceeds the loading limit (load to be applied) and standard load for one foot.
- Put load on a carrier in such a manner that load is applied to each caster equally. Otherwise, the truck may lose its balance.
- Do not move the fixed casters to the opposite direction of the traveling direction (back or side, etc.). Otherwise, fixed casters may break.
- Do not forcibly move the casters while the stopper is applied. Also, do not leave the casters on a slope.
- Do not apply harmful impact, such as collision and drop.

#### 3. Using speed

- Use this caster for intermittent manual towing. Do not use this caster for towing with a motor.
- Within 4km/h for manual towing**
- Start pushing the carrier slowly. Otherwise, the carrier may lose its balance.

#### 4. Operating environment

- This caster shall be used in a plant at room temperature and this caster shall not be affected by special temperature, chemical, extreme oil, water and salt.
- Operating temperature: 10°C to 30°C**

#### 5. Precautions when mounting

- Mount revolving casters in such a manner that the rotation axis is vertical.
- Mount fixed casters in such a manner that casters become parallel each other. Also, do not mount a caster in the opposite direction of the traveling direction.
- For mounting screw, tighten the hexagonal portion using an appropriate wrench after checking appropriate torque based on size and intensity.

#### 6. Periodic check, maintenance and replacement

Please carry out periodic check, maintenance, replacement and periodic inspection in order to prevent accident and use casters for a long period of time.

- Check YUEI damper (check with touching and visual check using a mirror, etc.) before using casters and replace the damper if there is a fault.
- Please clean foreign substances (dust, etc.) attached on YUEI damper with air after using casters.
- Check the presence of looseness of the fastening portion at the mounting portion, spindle portion, stopper, bolts and nuts. If there is abnormality, stop using the caster and then replace the caster with a new one.
- If you find any abnormality, please contact a dealer quickly.
- If there is breakage or rattling on a bracket, please stop using the caster and contact us.
- Do not disassemble any parts other than the wheel portion.

#### [Recommended timing of inspection and replacement]

- (1) Every year after purchase date
- (2) Every 1,200km of traveling distance after beginning of use

However, if significant amount of foreign substances are attached, loading balance is bad, loading is made at high center of gravity, or casters are used under severe condition, such as climbing a hill or road having many curves, we recommend performing the periodic inspection at a timing earlier than above timings.

#### 7. Storage method

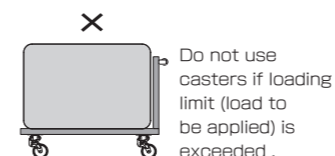
Please store casters in doors within the operating temperature limit.

- Do not leave or store casters at a place exposed to water or rain, or at humid place.
- Do not leave or store casters at a place exposed to direct sunlight or radiant heat from a heater, etc.

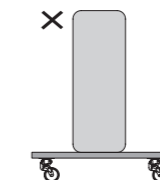
\* This product may be changed for improvement without any prior notice.



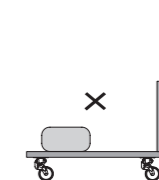
If a caster is wrongly mounted, hazardous situation that may cause a slight injury, middle-level injury, or physical damage may occur.



Do not use casters if loading limit (load to be applied) is exceeded.



This caster is not suitable for transferring high load and load having high center of gravity.

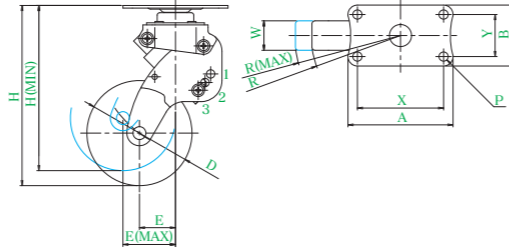
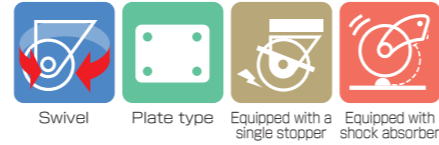


This caster is not suitable for transferring imbalanced load or decentered load.

# SKY-S<sub>TYPE</sub>



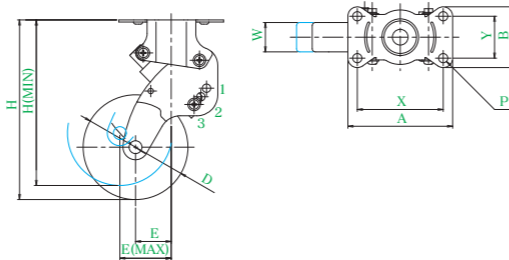
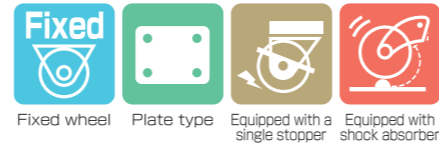
SKY-S100SUE-1



# SKY-R<sub>TYPE</sub>



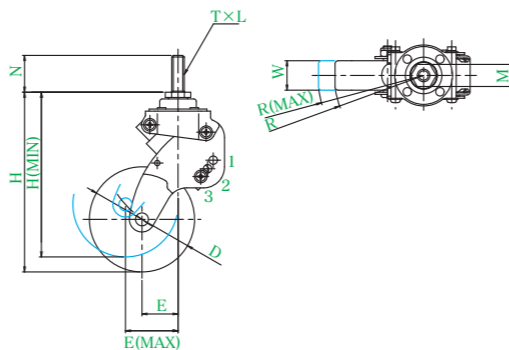
SKY-R100SUE-2



# SKY-T<sub>TYPE</sub>



SKY-T100SUE-3, M16×40



**Wheel in use** Refer to P165 for detailed specifications.



**SUE**  
Urethane (including B) wheel with antistatic nylon wheel

Bracket = Stainless steel

Product number	Wheels	Wheel diameter	Wheel width	Mounting base	Mounting dimensions	Hole diameter	Turning radius		Mounting height	Eccentricity	Standard load	Wheel weight	
		D (mm)	W (mm)	A × B (mm)	X × Y (mm)	P (mm)	Equipped with stopper	Stopper wheel	H (mm)	E (mm)	daN (kgf)	Equipped with stopper	Stopper wheel
SKY-S100	SUE	100	28	100 × 58	82 × 40	8.8	110 to 112	84 to 107	171 to 148	34 to 57	10(10.2)		
							110 to 113	84 to 103	171 to 154	34 to 53	20(20.4)		
							110 to 113	84 to 100	171 to 158	34 to 50	30(30.6)		
SKY-S125	SUE	125	32	100 × 58	82 × 40	8.8	116 to 129	104 to 129	193 to 167	41 to 66	10(10.2)		
							116 to 124	104 to 124	193 to 173	41 to 61	20(20.4)		
							116 to 121	104 to 121	193 to 177	41 to 58	30(30.6)		

- All casters have types equipped with a stopper. (This is a caster used for only locking rotation of the wheel.)
- For turning radius, mounting height and eccentricity, values indicate when the YUEI damper with the maximum stroke instead of when the standard load is applied.

Bracket = Stainless steel

Product number	Wheels	Wheel diameter	Wheel width	Mounting base	Mounting dimensions	Hole diameter	Mounting height	Eccentricity	Standard load	Wheel weight	
		D(mm)	W(mm)	A × B(mm)	X × Y(mm)	P(mm)	H(mm)	E(mm)	daN(kgf)	Equipped with stopper	Stopper wheel
SKY-R100	SUE	100	28	100 × 58	82 × 40	8.8	171 to 148	34 to 57	10(10.2)		
							171 to 154	34 to 52	20(20.4)		
							171 to 158	34 to 49	30(30.6)		
SKY-R125	SUE	125	32	100 × 58	82 × 40	8.8	193 to 167	41 to 66	10(10.2)		
							193 to 173	41 to 61	20(20.4)		
							193 to 177	41 to 58	30(30.6)		

- All casters have types equipped with a stopper. (This is a caster used for only locking rotation of the wheel.)
- For turning radius, mounting height and eccentricity, values indicate when the YUEI damper with the maximum stroke instead of when the standard load is applied.

Bracket = Stainless steel

Product number	Wheels	Wheel diameter	Wheel width	Screw type	Pitch	Opposite side	Turning radius		Mounting height	Eccentricity	Standard load	Wheel weight	
		D (mm)	W (mm)	T (Nominal x length)	L (mm)	M (mm)	Equipped with stopper	Stopper wheel	H (mm)	E (mm)	daN (kgf)	Equipped with stopper	Stopper wheel
SKY-T100	SUE	100	28	M12 × 35	1.75	21	110 to 112	84 to 107	171 to 148	34 to 59	10(10.2)		
				M16 × 40	2	23	110 to 113	84 to 103	171 to 154	34 to 53	20(20.4)		
							110 to 113	84 to 103	171 to 157	34 to 50	30(30.6)		
SKY-T125	SUE	125	32	M12 × 35	1.75	21	116 to 129	104 to 129	192 to 166	41 to 66	10(10.2)		
				M16 × 40	2	23	116 to 124	104 to 124	192 to 173	41 to 61	20(20.4)		
							116 to 121	104 to 121	192 to 177	41 to 58	30(30.6)		

- All casters have types equipped with a stopper. (This is a caster used for only locking rotation of the wheel.)
- For turning radius, mounting height and eccentricity, values indicate when the YUEI damper with the maximum stroke instead of when the standard load is applied.
- Allowable load is the standard load when the stem is screwed in to the end.
- ★ Refer to P7 for the mounting method.

### ● Description of product number

**SKY \* - \* SUE \* - \* \***

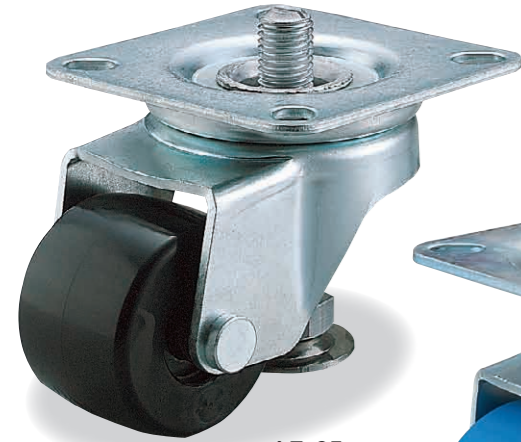
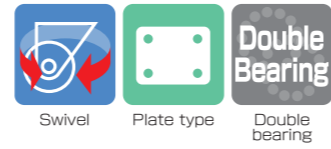
- SKY**: Equipped with shock absorber Caster indicating SKY
- \***: Bracket type  
S: Swivel plate type  
R: Fixed plate type  
T: Swivel screw-in type
- : Wheel diameter  
100: 100mm  
125: 125mm
- SUE**: Urethane wheel with antistatic nylon wheel assembly (including B)
- \***: Availability of a stopper  
S: Equipped with stopper  
No symbol: No stopper
- : Standard load  
1: 10daN  
2: 20daN  
3: 30daN
- \***: Screw type

- The standard load display on casters with shock absorber does not indicate allowable load. This display shows the load in which shock absorbing effect is high.
- Mounting height and eccentricity vary depending on expansion and contraction of YUEI damper.

# Equipped with adjuster feet SERIES

These casters are widely used for transporting machinery and equipment, appliance and furniture, etc. Articles can be easily moved and casters can be firmly fixed using the adjuster.

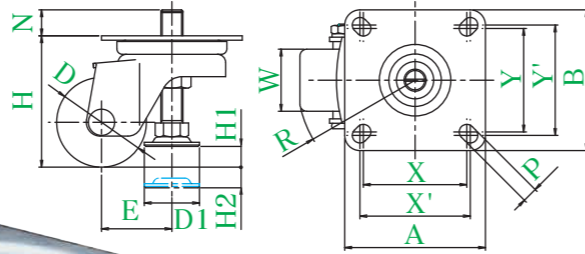
## AF TYPE



AF-65



AF-75



● Description of product number

**AF - 65**

Wheel diameter  
Equipped with adjuster feet

Bracket = Trivalent unichrome coating

Product number	Wheels	Wheel diameter	Wheel width	Mounting height	Mounting base	Mounting dimensions	Hole diameter	Eccentricity	Turning radius	Outer diameter of adjuster feet	Amount of adjustment		Allowance load	Wheel weight
		D (mm)	W (mm)	H (mm)	A × B (mm)	X × Y (X' × Y') (mm)	P (mm)	E (mm)	R (mm)	D1 (mm)	H1 (mm)	H2 (mm)	daN (kgf)	(g)
AF-50	Reinforced nylon wheel (including B)	50	45	74	102 × 102	80 × 80 (75 × 75)	11	46	73	40	15	15	250(255.0)	1190
AF-65	Reinforced nylon wheel (including B)	65	45	95	102 × 102	80 × 80 (75 × 75)	11	51	84	40	15	15	250(255.0)	1320
AF-75	MC nylon wheel (including B)	75	45	120	140 × 140	115 × 115 (105 × 105)	11.5	56	95	40	15	15	300(306.0)	2500
AF-100	MC nylon wheel (including B)	100	45	145	140 × 140	115 × 115 (105 × 105)	11.5	65	116	40	15	15	300(306.0)	2800

### Wheel in use

Refer to P165 for detailed specifications.

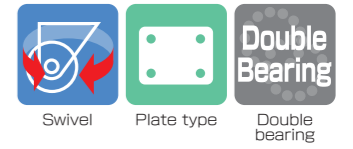


Reinforced nylon wheel (including B)

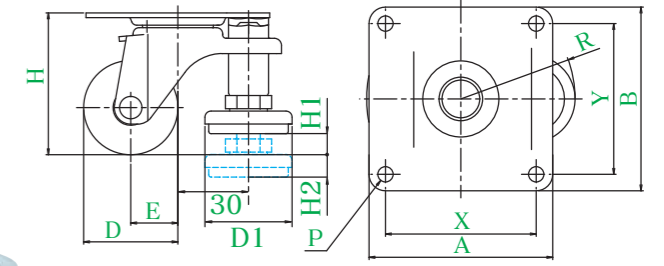


MC nylon wheel (including B)

## E-AF TYPE



E-40BN-AF



● Description of product number

**E - 40 BN - AF**

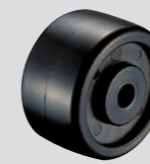
Wheel diameter  
Wheel type  
Equipped with adjuster feet

Bracket = Trivalent unichrome coating

Product number	Wheels	Wheel diameter	Wheel width	Mounting height	Mounting base	Mounting dimensions	Hole diameter	Eccentricity	Turning radius	Outer diameter of adjuster feet	Amount of adjustment		Allowance load	Wheel weight
		D (mm)	W (mm)	H (mm)	A × B (mm)	X × Y (mm)	P (mm)	E (mm)	R (mm)	D1 (mm)	H1 (mm)	H2 (mm)	daN (kgf)	(g)
E-40 BN -AF	Nylon wheel	40	21	60	78 × 78	64 × 64	6.5	20	49	37	9	9.5	30(30.6)	295
E-50 BN -AF	Nylon wheel	50	21	65	78 × 78	64 × 64	6.5	20	49	37	9	9.5	40(40.8)	310

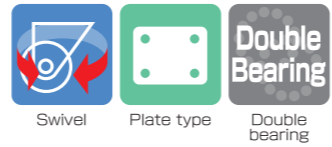
### Wheel in use

Refer to P165 for detailed specifications.

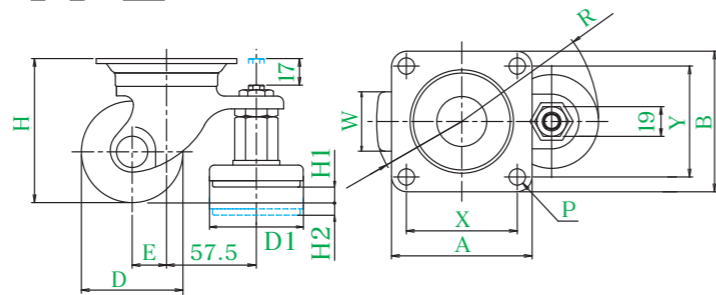


BN Nylon wheel

# HG-AF TYPE



HG-65GNB-AF



● Description of product number  
**HG - 65 GNB - AF**  
 Bracket type Wheel diameter Wheel type Equipped with adjuster feet

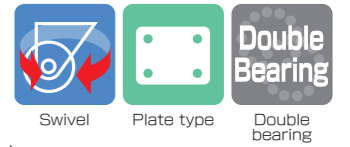
Bracket = Trivalent unichrome coating

Product number	Wheels	Wheel diameter	Wheel width	Mounting height	Mounting base	Mounting dimensions	Hole diameter	Eccentricity	Turning radius	Outer diameter of adjuster feet	Amount of adjustment		Allowable load	Wheel weight
		D (mm)	W (mm)	H (mm)	A × B (mm)	X × Y (mm)	P (mm)	E (mm)	R (mm)	D1 (mm)	H1 (mm)	H2 (mm)	daN (kgf)	(g)
HG-65	PB	65	38	92	90 × 90	71 × 71	10.5	22	88	60	10	8	300 (306.0)	1230
	GNB													1175
	MC													1190
	MCE													1195
HG-75	PB	75	38	106	90 × 90	71 × 71	10.5	22	88	60	15	10	320 (326.4)	1330
	GNB												1260	
	MC												1290	
	MCE												1295	

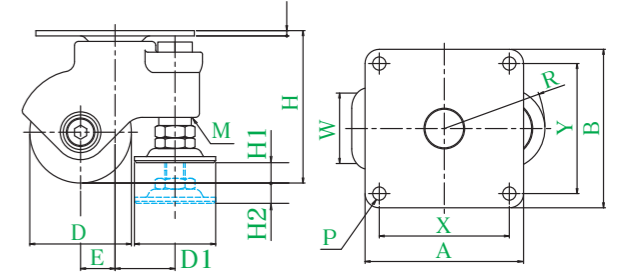
**Wheel in use** Refer to P165 for detailed specifications.



# SPLG TYPE



SPLG-50BN,AJ



● Description of product number  
**SPLG - 50 BN , AJ**  
 Bracket type Wheel diameter Wheel type Equipped with adjuster feet

Body = Nylon  
 Bracket = Trivalent unichrome coating

Product number	Wheels	Wheel diameter	Wheel width	Mounting height	Mounting base	Mounting dimensions	Hole diameter	Eccentricity	Turning radius	Outer diameter of adjuster feet	Amount of adjustment		Allowance load	Wheel weight
		D (mm)	W (mm)	H (mm)	A × B (mm)	X × Y (mm)	P (mm)	E (mm)	R (mm)	D1 (mm)	H1 (mm)	H2 (mm)	daN (kgf)	(g)
SPLG-50	BN ,AJ	50	28	75	78 × 78	64 × 64	6.5	17	50	40	10	10	60(61.2)	390
SPLG-65	BN ,AJ	65	25	93	92 × 92	75 × 75	8.5	27	66	40	10	20	60(61.2)	515
SPLG-75	BN ,AJ	75		98	92 × 92	75 × 75	8.5	27	66	40	15	15	60(61.2)	525

☆ Utility Model No.3141203 Design No.1337711

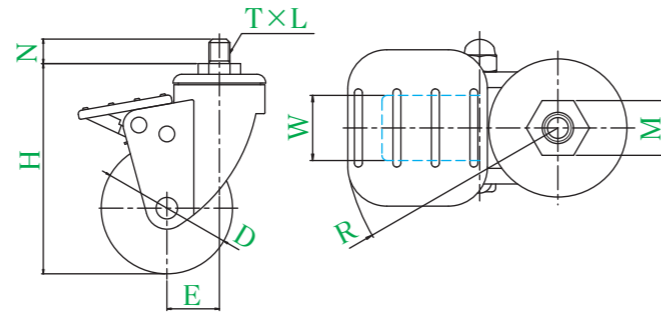
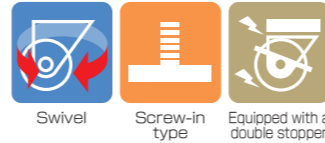
**Wheel in use** Refer to P165 for detailed specifications.



## Resin Caster (φ75)



Resin caster: φ75M12×14



Bracket = Stainless steel

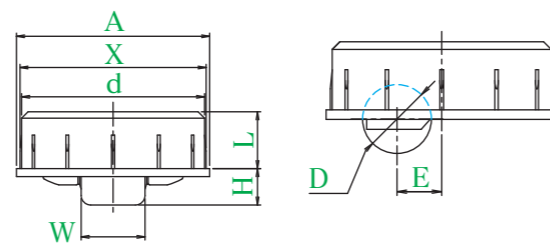
Product number	Wheels	Wheel diameter	Wheel width	Mounting height	Screw	Pitch	Length	Opposite side	Eccentricity	Turning radius	Allowance load	Wheel weight
		D(mm)	W(mm)	H(mm)	T	L	N(mm)	M(mm)	E(mm)	R(mm)	daN(kgf)	(g)
Resin caster ( φ 75)	Urethane wheels	75	25	120	M12	1.75	14	21	30	83	60(61.2)	360

- Quiet and smooth rotation is kept for a long time by using the radial ball bearing at the revolving portion.
- Since resin (nylon) is used for body and stainless steel is used for bracket, this caster provides superior corrosion resistance and water resistance.
- This caster is equipped with the double stopper that can lock rotation of the mounting portion and wheel.
- ★ Refer to P7 for the mounting method.

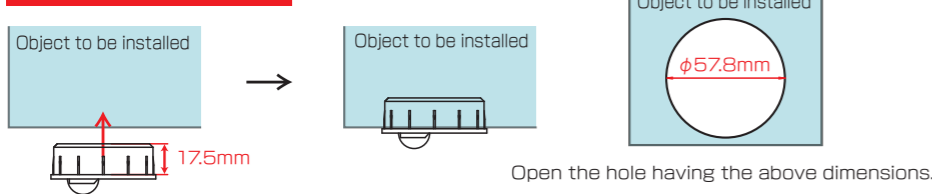
## PARALLELCASTER



PARALLEL CASTER



### Installation diagram



Install a caster in such a manner that the caster is embedded in the product. Dimensions of the portion in which the caster is embedded are as follows: Height: 17.5mm or higher, Hole diameter: φ57.8mm

Body, wheel = Nylon

Product number	Wheel diameter	Wheel width	Mounting height	L(mm)	d(mm)	A(mm)	X(mm)	Eccentricity	Allowance load	Wheel weight
	D(mm)	W(mm)	H(mm)					E(mm)	daN(kgf)	(g)
PARALLEL CASTER	18	20	11.5	17.5	57.3	61	58.3	11.7	30(30.6)	55

- This is the low profile caster having proprietary design.
- Since this caster can be easily mounted, this caster is widely used, such as furniture.

## Custom - made items

We provide wheels having various special specifications according to customers' requests.

### Wheels



#### Conductive rubber wheels

Static electricity can be removed. These wheels are suitable for transporting products in which short-circuit caused by static electricity shall be prevented.

Supported series ▶ J, J2, SJ, S, E, G, L, SA, SUS-S, SUS-E



#### Urethane wheel providing antistatic properties

In comparison with normal wheels, this wheel is less electric conductive and absorption of dust and dirt due to static electricity is prevented.

Supported series ▶ J, SJ, S, E, SA, SUS-E



#### Heat-resistant phenol wheel

This heat-resistant wheel can resist at the maximum of 200°C. This wheel is suitable for use under high temperature environment.

Supported series ▶ J, J2, SJ



#### White rubber wheel/ gray rubber wheel

Color of rubber wheel is set to white or gray to prevent leaving marks on the floor surface after traveling.

This rubber wheel provides elasticity and traveling performance and has structure in which stain is considered.

Supported series ▶ J, J2, SJ



#### Wide wheel

This wheel has the same wheel width as that of conventional casters, but has larger ground contact area in order to prevent the wheel from being stuck in a ditch.

Supported series ▶ J, PM, J2

### Special casters

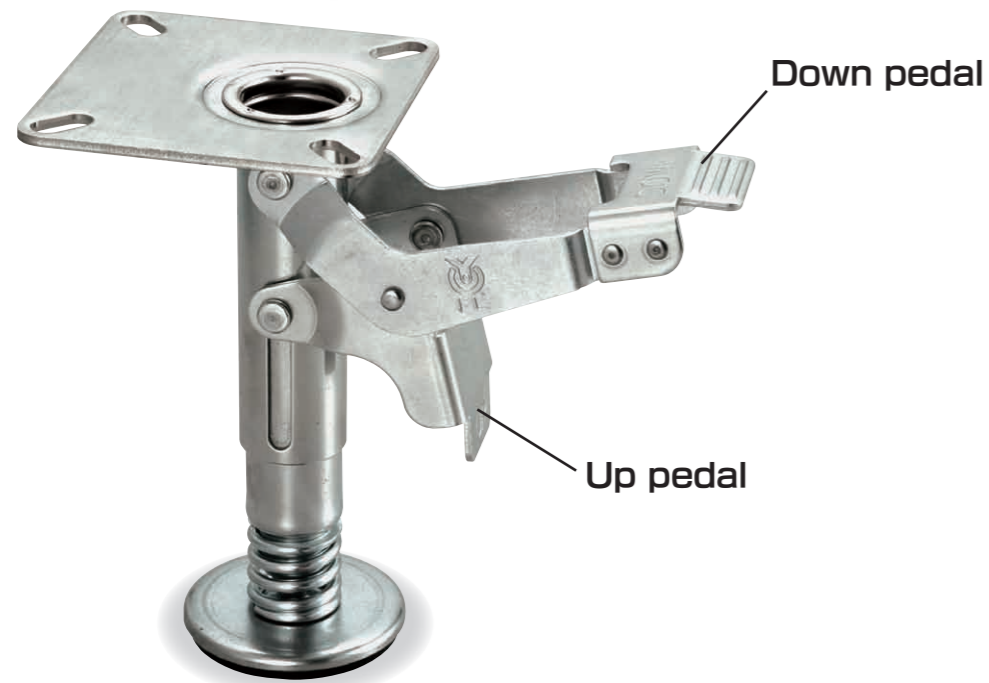
#### We can consult manufacturing of special casters meeting your request.

If you cannot find wheels having requested dimensions in the catalog, please contact your nearest branch or sales office.

\* Please understand that there is a case that we cannot meet your request.

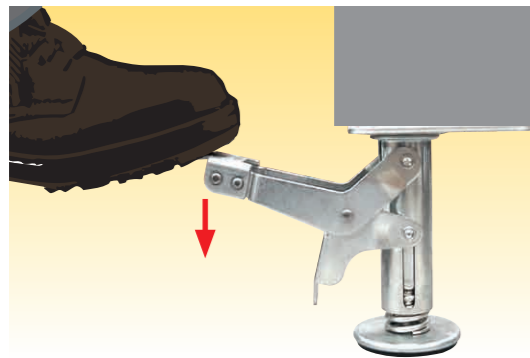
Truck is securely locked with easy one-touch operation!

# Easy lock!!



## How to use the easy lock

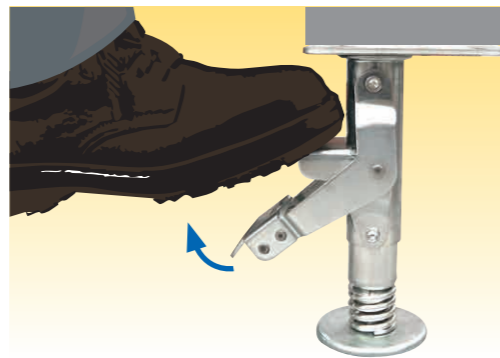
### Locking method



Step on the DOWN pedal to the end. When the DOWN pedal is stepped, the UP pedal is set at the top position and the truck is locked.

☆ Patent Pending No.2012-001039

### Releasing method



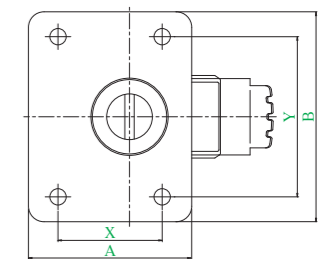
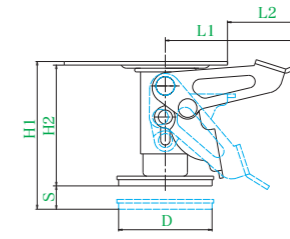
When the Up pedal that went up by locking the truck was stepped, the DOWN pedal goes up. When the DOWN pedal goes up to the point that the pedal touches your foot, release your foot from the pedal slowly. By doing so, the lock can be safely released.

### Precautions for using the easy lock

1. Use the easy lock in such a manner that optimum mounting height is observed. (\*The mounting height of rubber wheel varies depending on load.)
2. This is the stopper for the truck equipped with casters. Since this lock is not designed for being lifted, do not use this lock as a jack. (Load is supported by casters.)
3. Mount the easy lock in such a manner that the pedal protrudes.
4. The easy lock is not designed to be used on an inclined plane. Please use the easy lock on flat ground.
5. Do not use the easy lock for a working table or step ladder.
6. Do not apply load to the carrier in which the easy lock is locked from the side.
7. Do not place the carrier in which the easy lock is locked on the truck and transfer.

# ELOCK<sub>TYPE</sub>

Small



● Description of product number

**ELOCK - 75**

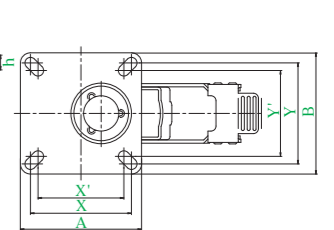
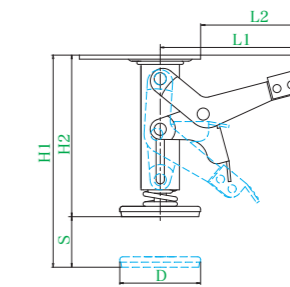
Bracket type  
Conforming wheel diameter

Supported product: ELOCK-65 to 75 support S series plate type (φ 65 and φ 75).

Product number		Appropriate mounting height										
	D (mm)		H1 (mm)	H2 (mm)		S (mm)	A × B (mm)					
ELOCK-65	60	85	90	75	15	105 × 135	67 × 103	10.5	93	53	-1.25	
ELOCK-75	60	90	95	80	15	105 × 135	67 × 103	10.5	93	53	-1.25	

# ELOCK<sub>TYPE</sub>

Industrial



● Description of product number

**ELOCK - 200**

Bracket type  
Conforming wheel diameter

Supported product: ELOCK-100 (H130) supports S series plate type (φ 100). ELOCK-100 to 200 supports J series plate type (φ 100 to φ 200).

Product number		Appropriate mounting height										
	D (mm)		H1 (mm)	H2 (mm)		S (mm)	A × B (mm)					
ELOCK-100 (H130)	75	130	135	115	20	120 × 120	100 × 100 (85 × 85)	11	127	87	-1.65	
ELOCK-100	78	144	150	132	18	120 × 120	100 × 100 (85 × 85)	11	143	103	-10	1230
ELOCK-150	78	198	210	160	50	120 × 120	100 × 100 (85 × 85)	11	156	115	14	1400
ELOCK-200	78	250	258	208	50	120 × 120	100 × 100 (85 × 85)	11	156	115	14	1450

J  
PM  
J2  
RJ2  
SJ  
S  
E  
G  
L  
SA  
H  
CAL-H  
M  
PL  
Silence  
SUS-J2  
SUS-SJ  
SUS-S  
SUS-E  
SUS-H  
P  
SKY  
Equipped with adjuster foot  
Special  
Easy lock  
Wheels

# Wheels



**W** Rubber wheel with steel plate wheel assembly (including B)  
**NR** Rubber wheel with nylon wheel assembly (including B)  
**UW** Urethane wheel with steel plate wheel assembly (including B)  
**GU** Urethane wheel with nylon wheel assembly (including B)

## Wheels used in J SERIES

Product number	Wheels	Wheel diameter	Boss width	Wheel width	Hole diameter	Allowance load
		(mm)	(mm)	(mm)	(mm)	daN(kgf)
<b>W-</b>	Rubber wheel with steel plate wheel assembly (including B)	75	35	32	10	80(81.6)
		100	42	32	12	120(122.4)
		130	55	40	20	180(183.6)
		150	55	40	20	200(204.0)
		200	55	43	20	250(255.0)
<b>NR-</b>	Rubber wheel with nylon wheel assembly (including B)	100	42	32	12	100(102.0)
		130	55	40	12	180(183.6)
		150	55	40	12	200(204.0)
<b>UW-</b>	Urethane wheel with steel plate wheel assembly (including B)	75	35	32	10	120(122.4)
		100	42	32	12	180(183.6)
		130	55	35	20	250(255.0)
		150	55	38	20	300(306.0)
		200	55	42	20	400(408.0)
<b>GU-</b>	Urethane wheel with nylon wheel assembly (including B)	75	36	32	10	100(102.0)
		100	42	32	12	100(102.0)
		130	55	40	20	180(183.6)
		150	55	40	20	200(204.0)
200	55	43	20	250(255.0)		

\* Allowable load indicates allowable load only for wheels.



**WB** Rubber wheel with steel plate wheel assembly (including B)  
**AW** Rubber wheel with aluminum wheel assembly (including B)  
**UWB** Urethane wheel with steel plate wheel assembly (including B)

## Wheels used in PM SERIES

Product number	Wheels	Wheel diameter	Boss width	Wheel width	Hole diameter	Allowance load
		(mm)	(mm)	(mm)	(mm)	daN(kgf)
<b>PM-</b>	<b>WB</b> Rubber wheel with steel plate wheel assembly (including B)	130	56	40	12	180(183.6)
		150	56	40	12	200(204.0)
		200	56	43	20	250(255.0)
<b>PM-</b>	<b>AW</b> Rubber wheel with aluminum wheel assembly (including B)	150	56	42	12	250(255.0)
		200	56	45	20	300(306.0)
<b>PM-</b>	<b>UWB</b> Urethane wheel with steel plate wheel assembly (including B)	130	56	35	12	250(255.0)
		150	56	38	12	300(306.0)
		200	56	42	20	400(408.0)

\* Allowable load indicates allowable load only for wheels.



**W** Rubber wheel with steel plate wheel assembly (including B)  
**NR** Rubber wheel with nylon wheel assembly (including B)  
**N** Nylon wheel (including B)  
**GU** Urethane wheel with nylon wheel assembly (including B)

## Wheels used in J2 SERIES

Product number	Wheels	Wheel diameter	Boss width	Wheel width	Hole diameter	Allowance load
		(mm)	(mm)	(mm)	(mm)	daN(kgf)
<b>W-</b>	Rubber wheel with steel plate wheel assembly (including B)	130 φ 12	55	40	12	180(183.6)
		150 φ 12	55	40	12	200(204.0)
<b>NR-</b>	Rubber wheel with nylon wheel assembly (including B)	130	55	40	12	180(183.6)
		150	55	40	12	200(204.0)
<b>N-</b>	Nylon wheel (including B)	130 φ 12 (equipped with cover)	56	40	12	180(183.6)
		150 φ 12 (equipped with cover)	56	40	12	200(204.0)
<b>GU-</b>	Urethane wheel with nylon wheel assembly (including B)	130 φ 12	55	40	12	180(183.6)
		150 φ 12	55	40	12	200(204.0)

\*(Equipped with cover) = Bearing cover type

\* Allowable load indicates allowable load only for wheels.



**NWR** Rubber wheel with nylon wheel assembly (including B)

## Wheels used in RJ2 SERIES

Product number	Wheels	Wheel diameter	Boss width	Wheel width	Hole diameter	Allowance load
		(mm)	(mm)	(mm)	(mm)	daN(kgf)
<b>NWR-</b>	150 φ 12 Rubber wheel with nylon wheel assembly (including B)	150	56	34	12	160(163.2)

\* Allowable load indicates allowable load only for wheels.



**W** Rubber wheel with steel plate wheel assembly (including B)  
**WP** Rubber wheel with steel plate wheel assembly  
**NR** Rubber wheel with nylon wheel assembly (including B)  
**N** Nylon wheel  
**NB** Nylon wheel (including B)  
**UW** Urethane wheel with steel plate wheel assembly (including B)  
**GU** Urethane wheel with nylon wheel assembly (including B)

## Wheels used in SJ SERIES

Product number	Wheels	Wheel diameter	Boss width	Wheel width	Hole diameter	Allowance load
		(mm)	(mm)	(mm)	(mm)	daN(kgf)
<b>W-</b>	Rubber wheel with steel plate wheel assembly (including B)	100	42	32	12	100(102.0)
		125	42	32	12	120(122.4)
<b>WP-</b>	Rubber wheel with steel plate wheel assembly	100	42	32	12.2	100(102.0)
		125	42	32	12.2	120(122.4)
<b>NR-</b>	Rubber wheel with nylon wheel assembly (including B)	100	42	32	12	100(102.0)
<b>N-</b>	Nylon wheel	100	42	32	12.2	100(102.0)
<b>NB-</b>	Nylon wheel (equipped with cover)	100	43	32	12	100(102.0)
<b>UW-</b>	Urethane wheel with steel plate wheel assembly (including B)	100	42	32	12	180(183.6)
<b>GU-</b>	Urethane wheel with nylon wheel assembly (including B)	100	42	32	12	100(102.0)
		125	42	32	12	120(122.4)

\*(Equipped with cover) = Bearing cover type

\* Allowable load indicates allowable load only for wheels.

\*(including B) indicates wheels equipped with bearing.

\*(including B) indicates wheels equipped with bearing.

# Wheels



## Wheels used in S SERIES

Product number	Wheels	Wheel diameter (mm)	Boss width (mm)	Wheel width (mm)	Hole diameter (mm)	Allowance load daN(kgf)
S- 50	RH Rubber wheel	50	30	28	8.2	50(51.0)
		65	30	25	8.2	50(51.0)
		75	30	25	8.2	60(61.2)
		100	30	25	8.2	50(51.0)
AL- 75	NR-B Rubber wheel with nylon wheel assembly	75	30	27	8.2	60(61.2)
AL- 100		100	30	27	8.2	60(61.2)
AL- 75	NRB-B Rubber wheel with nylon wheel assembly (including B)	75	32	27	8.2	70(71.4)
AL- 100		100	32	27	8.2	70(71.4)
S- 50	N Nylon wheel	50	30	28	8.2	60(61.2)
		65	30	25	8.2	70(71.4)
		75	30	25	8.2	80(81.6)
		100	30	25	8.2	60(61.2)
S- 50	UR Urethane wheel with nylon wheel	50	30	25	8.2	60(61.2)
		65	30	25	8.2	60(61.2)
		75	30	26	8.2	70(71.4)
100	30	28	8.2	60(61.2)		
AL- 75	UHF Urethane wheel with nylon wheel assembly (including B)	75	32	26	8.2	70(71.4)
AL- 100		100	32	28	8.2	70(71.4)
S- 65	EL Elastomer wheel	65	30	27	8.1	40(40.8)
		75	30	27	8.2	50(51.0)
		100	30	27	8.2	50(51.0)
S- 75	NU Urethane wheel with nylon wheel (equipped with pipe)	75	32	25	8.2	70(71.4)
S- 100		100	32	25	8.2	70(71.4)

\* Allowable load indicates allowable load only for wheels.



## Wheels used in E SERIES

Product number	Wheels	Wheel diameter (mm)	Boss width (mm)	Wheel width (mm)	Hole diameter (mm)	Allowance load daN(kgf)
L- 50	R Rubber wheel	50	24	20	6.2	30(30.6)
L- 65		65	24	21	6.2	30(30.6)
L- 75	RH Rubber wheel	75	24	21	6.2	40(40.8)
S- 100		100	30	25	8.2	50(51.0)
S- 125		125	30	25	8.2	50(51.0)
AL- 100	NR-B Rubber wheel with nylon wheel assembly	100	30	27	8.2	60(61.2)
AL- 100	NRB-B Rubber wheel with nylon wheel assembly (including B)	100	32	27	8.2	70(71.4)
L- 50	N Nylon wheel	50	24	21	6.2	40(40.8)
		65	24	21	6.2	40(40.8)
		75	24	21	6.2	50(51.0)
S- 100		100	30	25	8.2	60(61.2)
L- 50	UR Urethane wheel with nylon wheel	50	24	21	6.2	38(38.8)
		65	24	21	6.2	35(35.7)
		75	24	21	6.2	45(45.9)
S- 100		100	30	28	8.2	60(61.2)
AL- 100	UHF Urethane wheel with nylon wheel assembly (including B)	100	32	28	8.2	70(71.4)
L- 50	EL Elastomer wheel	50	24	20	6.2	25(25.5)
L- 75		75	24	21	6.1	30(30.6)
S- 100		100	30	27	8.2	50(51.0)

\* Allowable load indicates allowable load only for wheels.

\* (including B) indicates wheels equipped with bearing.

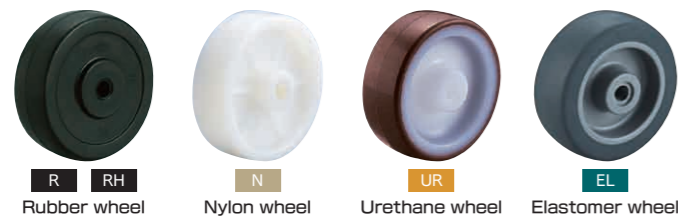


## Wheels used in G SERIES

Product number	Wheels	Wheel diameter (mm)	Boss width (mm)	Wheel width (mm)	Hole diameter (mm)	Allowance load daN(kgf)	
L- 25	R Rubber wheel	25	14	12	4.7	8(8.2)	
		32	16	14	5.2	12(12.2)	
		38	20	17	6.2	20(20.4)	
		50	24	20	6.2	30(30.6)	
S- 65	RH Rubber wheel	65	30	25	8.2	50(51.0)	
S- 75		75	30	25	8.2	60(61.2)	
L- 25	N Nylon wheel	25	14	12	4.7	10(10.2)	
		32	16	14	5.2	18(18.4)	
		38	20	16	6.2	28(28.6)	
		50	24	21	6.2	40(40.8)	
		S- 65	65	30	25	8.2	70(71.4)
S- 75		75	30	25	8.2	80(81.6)	
L- 25	UR Urethane wheel with nylon wheel	25	14	12	4.7	10(10.2)	
		32	16	14	5.2	18(18.4)	
		38	20	16	6.2	28(28.6)	
		50	24	21	6.2	38(38.8)	
S- 65		65	30	25	8.2	60(61.2)	
S- 75		75	30	26	8.2	70(71.4)	
L- 50	EL Elastomer wheel	50	24	20	6.2	25(25.5)	
		S- 65	65	30	27	8.1	40(40.8)
		S- 75	75	30	27	8.2	50(51.0)
L- 38	PC-C Polycarbonate wheel (transparent)	38	16	14	5.2	18(18.4)	
		50	20	16	6.2	28(28.6)	
L- 25	PC-R Polycarbonate wheel (red)	25	14	12	4.7	10(10.2)	
		L- 38	38	16	14	5.2	18(18.4)
		L- 50	50	20	16	6.2	28(28.6)
L- 25	PC-G Polycarbonate wheel (green)	25	14	12	4.7	10(10.2)	
		L- 38	38	16	14	5.2	18(18.4)
L- 50		50	20	16	6.2	28(28.6)	

\* Allowable load indicates allowable load only for wheels.

# Wheels



## Wheels used in L SERIES

Product number	Wheels	Wheel diameter (mm)	Boss width (mm)	Wheel width (mm)	Hole diameter (mm)	Allowance load daN(kgf)
L- 40	R Rubber wheel	40	21	17	6.2	25(25.5)
L- 50		50	24	20	6.2	30(30.6)
L- 65	RH Rubber wheel	65	24	21	6.2	30(30.6)
L- 75		75	24	21	6.2	40(40.8)
L- 50	N Nylon wheel	50	24	21	6.2	40(40.8)
L- 65		65	24	21	6.2	40(40.8)
L- 75	UR Urethane wheel with nylon wheel	65	24	21	6.2	35(35.7)
L- 75		75	24	21	6.2	45(45.9)
L- 75	EL Elastomer wheel	75	24	21	6.1	30(30.6)

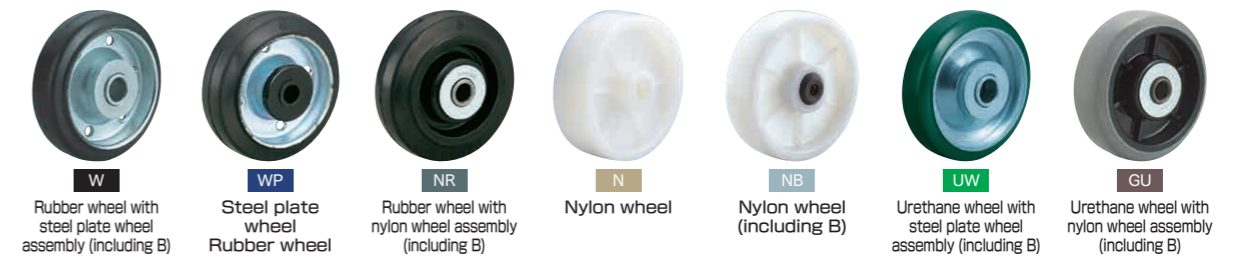
\* Allowable load indicates allowable load only for wheels.



## Wheels used in SA SERIES (Wheel diameter: φ 50 to 75)

Product number	Wheels	Wheel diameter (mm)	Boss width (mm)	Wheel width (mm)	Hole diameter (mm)	Allowance load daN(kgf)
L- 50	R Rubber wheel	50	24	20	6.2	30(30.6)
S- 65	RH Rubber wheel	65	30	25	8.2	50(51.0)
S- 75		75	30	25	8.2	60(61.2)
AL- 75	NR-B Rubber wheel with nylon wheel assembly	75	30	27	8.2	60(61.2)
AL- 75	NRB-B Rubber wheel with nylon wheel assembly (including B)	75	32	27	8.2	70(71.4)
L- 50	N Nylon wheel	50	24	21	6.2	40(40.8)
S- 65		65	30	25	8.2	70(71.4)
S- 75	UR Urethane wheel with nylon wheel	75	30	25	8.2	80(81.6)
S- 65		65	30	25	8.2	60(61.2)
S- 75	UHF Urethane wheel with nylon wheel assembly (including B)	75	30	26	8.2	70(71.4)
AL- 75		75	32	26	8.2	70(71.4)
S- 65	EL Elastomer wheel	65	30	27	8.1	40(40.8)
S- 75		75	30	27	8.2	50(51.0)

\* Allowable load indicates allowable load only for wheels.



## Wheels used in SA SERIES (Wheel diameter: φ 100)

Product number	Wheels	Wheel diameter (mm)	Boss width (mm)	Wheel width (mm)	Hole diameter (mm)	Allowance load daN(kgf)
W- 100	Rubber wheel with steel plate wheel assembly (including B)	100	42	32	12	120(122.4)
WP- 100	Rubber wheel with steel plate wheel assembly	100	42	32	12.2	120(122.4)
NR- 100	Rubber wheel with nylon wheel assembly (including B)	100	42	32	12	100(102.0)
N- 100	Nylon wheel	100	42	32	12	120(122.4)
NB- 100 (equipped with cover)	Nylon wheel (including B)	100	43	32	12	120(122.4)
UW- 100	Urethane wheel with steel plate wheel assembly (including B)	100	42	32	12	180(183.6)
GU- 100	Urethane wheel with nylon wheel assembly (including B)	100	42	32	12	100(102.0)

\*(Equipped with cover) = Bearing cover type

\* Allowable load indicates allowable load only for wheels.



## Wheels used in H SERIES UHG TYPE

Product number	Wheels	Wheel diameter (mm)	Boss width (mm)	Wheel width (mm)	Hole diameter (mm)	Allowance load daN(kgf)
UH- 50	PB Phenol wheel (including B)	50	42	38	10.2	400(408.0)
UH- 65		65	51.5	48	16.1	500(510.0)
UH- 75		75	51.5	48	16.1	600(612.0)
UH- 50	GFB Reinforced nylon wheel (including B)	50	43	38	10.2	300(306.0)
UH- 65		65	51.5	48	16	400(408.0)
UH- 75		75	51.5	48	16	500(510.0)
UH- 50	MC MC nylon wheel (including B)	50	42	38	10.2	400(408.0)
UH- 65		65	51.5	48	16.1	600(612.0)
UH- 75		75	51.5	48	16.1	700(714.0)
UH- 80		80	51.5	48	16.1	800(816.0)
UH- 100	MCE MC nylon wheel (including B) (conductive)	100	51.5	48	16.1	800(816.0)
UH- 50		50	42	38	10.2	400(408.0)
UH- 65		65	51.5	48	16.1	600(612.0)
UH- 75	75	51.5	48	16.1	700(714.0)	

\* Allowable load indicates allowable load only for wheels.



## Wheels used in H SERIES HGL TYPE

Product number	Wheels	Wheel diameter (mm)	Boss width (mm)	Wheel width (mm)	Hole diameter (mm)	Allowance load daN(kgf)
HL- 32	GNB Reinforced nylon wheel	32	31	21	8.2	120(122.4)

\* Allowable load indicates allowable load only for wheels.

# Wheels



## Wheels used in H SERIES HG TYPE, HG-S TYPE, HR TYPE, HG-W TYPE, HT TYPE, HT-S TYPE

Product number	Wheels	Wheel diameter (mm)	Boss width (mm)	Wheel width (mm)	Hole diameter (mm)	Allowance load daN(kgf)
H- 65	PB Phenol wheel (including B)	65	42	38	12.2	300(306.0)
H- 75		75	42	38	12.2	320(326.4)
S- 50	GNB Reinforced nylon wheel	50	30	28	8.2	160(163.2)
H- 65	GNB Reinforced nylon wheel (including B)	65	43	38	12	300(306.0)
H- 75		75	43	38	12	320(326.4)
S- 50	MC MC nylon wheel	50	30	25	8	160(163.2)
H- 65	MC MC nylon wheel (including B)	65	43	38	12	300(306.0)
H- 75		75	43	38	12	320(326.4)
S- 50	MCE MC nylon wheel (conductive)	50	30	25	8	160(163.2)
H- 65	MCE MC nylon wheel (including B) (conductive)	65	43	38	12	300(306.0)
H- 75		75	43	38	12	320(326.4)
H- 38	BN Nylon wheel	38	24	21	10.2	120(122.4)
H- 50		50	24	21	10.2	150(153.0)

\* Allowable load indicates allowable load only for wheels.



## Wheels used in H SERIES HSG TYPE

Product number	Wheels	Wheel diameter (mm)	Boss width (mm)	Wheel width (mm)	Hole diameter (mm)	Allowance load daN(kgf)
UH- 50	PB Phenol wheel (including B)	50	42	38	10.2	300(306.0)
H- 65		65	42	38	12.2	300(306.0)
H- 75		75	42	38	12.2	320(326.4)
UH- 50	GFB Reinforced nylon wheel (including B)	50	43	38	10.2	300(306.0)
H- 65		65	43	38	12	300(306.0)
H- 75		75	43	38	12	300(306.0)
UH- 50	MC MC nylon wheel (including B)	50	42	38	10.2	300(306.0)
H- 65		65	43	38	12	300(306.0)
H- 75		75	43	38	12	300(306.0)
UH- 50	MCE MC nylon wheel (including B) (conductive)	50	42	38	10.2	300(306.0)
H- 65		65	43	38	12	300(306.0)
H- 75		75	43	38	12	300(306.0)

\* Allowable load indicates allowable load only for wheels.

\* (including B) indicates wheels equipped with bearing.



## Wheels used in CAL-H SERIES SCAL-UHG TYPE

Product number	Wheels	Wheel diameter (mm)	Boss width (mm)	Wheel width (mm)	Hole diameter (mm)	Allowance load daN(kgf)
UH- 50	PB Phenol wheel (including B)	50	42	38	10.2	400(408.0)
		65	51.5	48	16.1	500(510.0)
		75	51.5	48	16.1	600(612.0)
UH- 65	GFB Reinforced nylon wheel (including B)	65	51.5	48	16	400(408.0)
		75	51.5	48	16	500(510.0)
		75	51.5	48	16	500(510.0)
UH- 50	MC MC nylon wheel (including B)	50	42	38	10.2	400(408.0)
		65	51.5	48	16.1	600(612.0)
		75	51.5	48	16.1	700(714.0)
UH- 65	MCE MC nylon wheel (including B) (conductive)	65	51.5	48	16.1	600(612.0)
		75	51.5	48	16.1	700(714.0)
		75	51.5	48	16.1	700(714.0)

\* Allowable load indicates allowable load only for wheels.



## Wheels used in CAL-H SERIES SCAL-HG TYPE

Product number	Wheels	Wheel diameter (mm)	Boss width (mm)	Wheel width (mm)	Hole diameter (mm)	Allowance load daN(kgf)
H- 65	PB Phenol wheel (including B)	65	42	38	12.2	300(306.0)
		75	42	38	12.2	300(306.0)
H- 65	GNB Reinforced nylon wheel (including B)	65	43	38	12	300(306.0)
		75	43	38	12	300(306.0)
H- 65	MC MC nylon wheel (including B)	65	43	38	12	300(306.0)
		75	43	38	12	300(306.0)
H- 65	MCE MC nylon wheel (including B) (conductive)	65	43	38	12	300(306.0)
		75	43	38	12	300(306.0)

\* Allowable load indicates allowable load only for wheels.



N Nylon wheel

## Wheels used in M SERIES

Product number	Wheels	Wheel diameter (mm)	Boss width (mm)	Wheel width (mm)	Hole diameter (mm)	Allowance load daN(kgf)
M- 65	N Nylon wheel	65	35	28	8.2	90(91.8)
		75	41	35	8.2	100(102.0)

\* Allowable load indicates allowable load only for wheels.

\* (including B) indicates wheels equipped with bearing.

# Wheels



**NR** Rubber wheel with nylon wheel assembly (including B)  
**GU** Urethane wheel with nylon wheel assembly (including B)

## Wheels used in PL SERIES

Product number	Wheels	Wheel diameter (mm)	Boss width (mm)	Wheel width (mm)	Hole diameter (mm)	Allowance load daN(kgf)
NR-	Bearing having bosses with deep groove of 100	100	43	32	12	100(102.0)
	Bearing having bosses with deep groove of 130	130	56	40	12	180(183.6)
GU-	Bearing having bosses with deep groove of 100	100	43	32	12	100(102.0)
	Bearing having bosses with deep groove of 130	130	56	40	12	180(183.6)

\* Allowable load indicates allowable load only for wheels.



**NRB** Rubber wheel with nylon wheel assembly (including B)  
**ELSB** Elastomer wheel  
**SEL** Elastomer wheel  
 \* Following table: S-100ELB

## Wheels used in SILENCE SERIES(for light load)

Product number	Wheels	Wheel diameter (mm)	Boss width (mm)	Wheel width (mm)	Hole diameter (mm)	Allowance load daN(kgf)
AL- 75	<b>NRB-B</b> Urethane wheel with nylon wheel assembly (including B)	75	32	27	8.2	70(71.4)
		100	32	27	8.2	70(71.4)
L- 65	<b>ELSB</b> Elastomer wheel	65	24	20	6	30(30.6)
		75	24	20	6	35(35.7)
S- 100	<b>ELB</b> Elastomer wheel	100	32	28	8	50(51.0)

\* Allowable load indicates allowable load only for wheels.



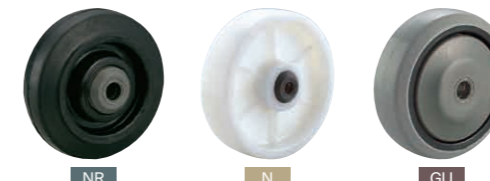
**WF** Rubber wheel with steel plate wheel assembly (including B)  
**NR** Rubber wheel with nylon wheel assembly (including B)

## Wheels used in SILENCE SERIES(INDUSTRIAL)

Product number	Wheels	Wheel diameter (mm)	Boss width (mm)	Wheel width (mm)	Hole diameter (mm)	Allowance load daN(kgf)
WF- 200	Rubber wheel with steel plate wheel assembly (including B)	200	56	43	20	250(255.0)
NRB-	Rubber wheel with nylon wheel assembly (including B)	100 (equipped with cover)	43	32	12	100(102.0)
		130 (equipped with cover)	56	40	12	180(183.6)
		150 (equipped with cover)	56	40	12	200(204.0)

\*(Equipped with cover) = Bearing cover type  
 \* Allowable load indicates allowable load only for wheels.

\* (including B) indicates wheels equipped with bearing.



**NR** Rubber wheel with nylon wheel assembly (including B)  
**N** Nylon wheel (including B)  
**GU** Urethane wheel with nylon wheel assembly (including B)

## Wheels used in SUS-J2 SERIES

Product number	Wheels	Wheel diameter (mm)	Boss width (mm)	Wheel width (mm)	Hole diameter (mm)	Allowance load daN(kgf)
NR-	Rubber wheel with nylon wheel assembly (including B)	130 (equipped with cover)	56	40	12	180(183.6)
		150 (equipped with cover)	56	40	12	200(204.0)
N-	Nylon wheel (including B)	130 φ 12 (equipped with cover)	56	40	12	160(163.2)
		150 φ 12 (equipped with cover)	56	40	12	160(163.2)
GU-	Urethane wheel with nylon wheel assembly (including B)	130 φ 12 (equipped with cover)	56	40	12	180(183.6)
		150 φ 12 (equipped with cover)	56	40	12	200(204.0)

\*NR and N (Equipped with cover) = Bearing cover type  
 \*GU (Equipped with cover) = Wheel cover type  
 \* Allowable load indicates allowable load only for wheels.



**NR** Rubber wheel with nylon wheel assembly (including B)  
**N** Nylon wheel  
**NB** Nylon wheel (including B)  
**GU** Urethane wheel with nylon wheel assembly (including B)

## Wheels used in SUS-SJ SERIES

Product number	Wheels	Wheel diameter (mm)	Boss width (mm)	Wheel width (mm)	Hole diameter (mm)	Allowance load daN(kgf)
NR- 100 (equipped with cover)	Rubber wheel with nylon wheel assembly (including B)	100	43	32	12	100(102.0)
N- 100	Nylon wheel	100	42	32	12	120(122.4)
NB- 100 (equipped with cover)	Nylon wheel (including B)	100	43	32	12	120(122.4)
GU- 100 (equipped with cover)	Urethane wheel with nylon wheel assembly (including B)	100	43	32	12	100(102.0)
		125 (equipped with cover)	43	32	12	120(122.4)

\*NR and NB (Equipped with cover) = Bearing cover type  
 \*GU (Equipped with cover) = Wheel cover type  
 \* Allowable load indicates allowable load only for wheels.

\* (including B) indicates wheels equipped with bearing.

\* (including B) indicates wheels equipped with bearing.

# Wheels



## Wheels used in SUS-S SERIES

Product number	Wheels	Wheel diameter (mm)	Boss width (mm)	Wheel width (mm)	Hole diameter (mm)	Allowance load daN(kgf)
S- 50	RH Rubber wheel	50	30	28	8.2	50(51.0)
S- 65		65	30	25	8.2	50(51.0)
S- 75		75	30	25	8.2	60(61.2)
AL- 75	NR-B Rubber wheel with nylon wheel assembly	75	30	27	8.2	60(61.2)
S- 50	N Nylon wheel	50	30	28	8.2	60(61.2)
S- 65		65	30	25	8.2	70(71.4)
S- 75		75	30	25	8.2	80(81.6)
S- 50	UR Urethane wheel with nylon wheel	50	30	25	8.2	60(61.2)
S- 65		65	30	25	8.2	60(61.2)
S- 75		75	30	26	8.2	70(71.4)
S- 65	EL Elastomer wheel	65	30	27	8.1	40(40.8)
S- 75		75	30	27	8.2	50(51.0)

\* Allowable load indicates allowable load only for wheels.



## Wheels used in SUS-E SERIES

Product number	Wheels	Wheel diameter (mm)	Boss width (mm)	Wheel width (mm)	Hole diameter (mm)	Allowance load daN(kgf)
L- 50	R Rubber wheel	50	24	20	6.2	30(30.6)
L- 65		65	24	21	6.2	30(30.6)
L- 75		75	24	21	6.2	40(40.8)
S- 100	RH Rubber wheel	100	30	25	8.2	50(51.0)
AL- 100	NR-B Rubber wheel with nylon wheel assembly	100	30	27	8.2	60(61.2)
L- 50	N Nylon wheel	50	24	21	6.2	40(40.8)
L- 65		65	24	21	6.2	40(40.8)
L- 75		75	24	21	6.2	50(51.0)
S- 100	UR Urethane wheel with nylon wheel	100	30	25	8.2	60(61.2)
L- 50	UR Urethane wheel with nylon wheel	50	24	21	6.2	38(38.8)
L- 65		65	24	21	6.2	40(40.8)
L- 75		75	24	21	6.2	45(45.9)
S- 100	EL Elastomer wheel	100	30	28	8.2	60(61.2)
L- 50	EL Elastomer wheel	50	24	20	6.2	25(25.5)
L- 75		75	24	21	6.1	30(30.6)
S- 100		100	30	25	8.2	60(61.2)

\* Allowable load indicates allowable load only for wheels.



## Wheels used in SUS-H SERIES SUS-HG TYPE, SUS-HG-S TYPE, SUS-HR TYPE

Product number	Wheels	Wheel diameter (mm)	Boss width (mm)	Wheel width (mm)	Hole diameter (mm)	Allowance load daN(kgf)
H- 65	PB Phenol wheel (including B)	65	42	38	12.2	230(234.6)
H- 75		75	42	38	12.2	250(255.0)
S- 50	GNB Reinforced nylon wheel	50	30	28	8.2	120(122.4)
H- 65	GNB Reinforced nylon wheel (including B)	65	43	38	12	230(234.6)
H- 75		75	43	38	12	250(255.0)
S- 50	MC MC nylon wheel	50	30	25	8	120(122.4)
H- 65	MC MC nylon wheel (including B)	65	43	38	12	230(234.6)
H- 75		75	43	38	12	250(255.0)
S- 50	MCE MC nylon wheel (conductive)	50	30	25	8	120(122.4)
H- 65	MCE MC nylon wheel (including B) (conductive)	65	43	38	12	230(234.6)
H- 75		75	43	38	12	250(255.0)

\* Allowable load indicates allowable load only for wheels.

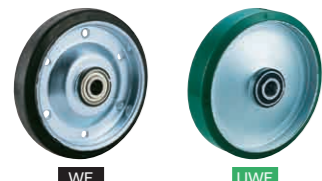


## Wheels used in H SERIES SUS-HSG TYPE

Product number	Wheels	Wheel diameter (mm)	Boss width (mm)	Wheel width (mm)	Hole diameter (mm)	Allowance load daN(kgf)
UH- 50	PB Phenol wheel (including B)	50	42	38	10.2	250(255.0)
H- 65		65	42	38	12.2	250(255.0)
H- 75		75	42	38	12.2	250(255.0)
UH- 50	GFB Reinforced nylon wheel (including B)	50	43	38	10.2	250(255.0)
H- 65		65	43	38	12	250(255.0)
H- 75		75	43	38	12	250(255.0)
UH- 50	MC MC nylon wheel (including B)	50	42	38	10.2	250(255.0)
H- 65		65	43	38	12	250(255.0)
H- 75		75	43	38	12	250(255.0)
UH- 50	MCE MC nylon wheel (including B) (conductive)	50	42	38	10.2	250(255.0)
H- 65		65	43	38	12	250(255.0)
H- 75		75	43	38	12	250(255.0)

\* Allowable load indicates allowable load only for wheels.

# Wheels



**WF** Rubber wheel with steel plate wheel assembly (including B)  
**UWF** Urethane wheel with steel plate wheel assembly (including B)

## Wheels used in SKY SERIES $\phi$ 200

Product number	Wheels	Wheel diameter (mm)	Boss width (mm)	Wheel width (mm)	Hole diameter (mm)	Allowance load daN(kgf)
WF-200	Rubber wheel with steel plate wheel assembly (including B)	200	56	43	20	250(255.0)
UWF-200	Urethane wheel with steel plate wheel assembly (including B)	200	56	43	20	400(408.0)

\* Allowable load indicates allowable load only for wheels.



**SUE** Urethane (including B) wheel with antistatic nylon wheel

## Wheels used in SKY SERIES $\phi$ 100 and $\phi$ 125

Product number	Wheels	Wheel diameter (mm)	Boss width (mm)	Wheel width (mm)	Hole diameter (mm)	Allowance load daN(kgf)
S-100	Urethane (equipped with bearing) wheel with antistatic nylon wheel	100	32	28	8.2	60(61.2)
S-125	Urethane (equipped with bearing) wheel with antistatic nylon wheel	125	37.4	32	8.2	60(61.2)

\* Allowable load indicates allowable load only for wheels.



**BN** Nylon wheel  
**Reinforced nylon wheel (including B)** \*Following table NB-50, 60  
**MC nylon wheel (including B)** \*Following table AF-75, 100, MC  
**PB** Phenol wheel (including B)  
**GNB** Reinforced nylon wheel  
**MC** MC nylon wheel (including B)  
**MCE** MC nylon wheel (including B) (conductive)

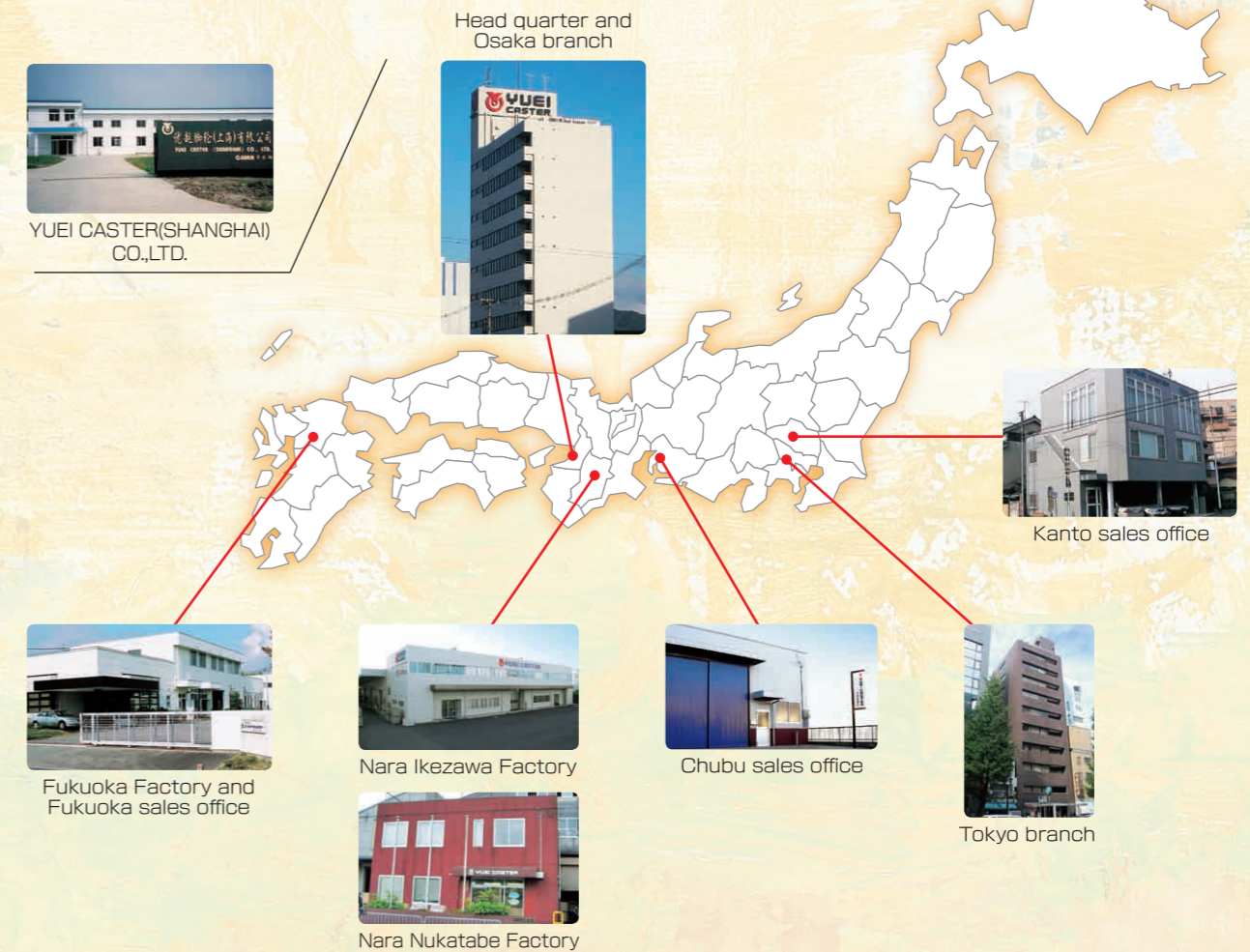
## Wheels used in Casters with adjuster foot

Product number	Wheels	Wheel diameter (mm)	Boss width (mm)	Wheel width (mm)	Hole diameter (mm)	Allowance load daN(kgf)
S-50	Nylon wheel	50	30	28	8	60(61.2)
S-65		65	30	25	8	70(71.4)
S-75		75	30	25	8	80(81.6)
L-40	Nylon wheel	40	24	21	6	40(40.8)
L-50		50	24	21	6	40(40.8)
NB-50	Reinforced nylon wheel (including B)	50	56	45	12	260(265.2)
NB-65		65	56	45	12	250(255.0)
AF-75	MC nylon wheel (including B)	75	56	45	12	300(306.0)
AF-100	MC nylon wheel (including B)	100	56	45	12	300(306.0)
H-65	Phenol wheel (including B)	65	42	38	12.2	300(306.0)
H-75		75	42	38	12.2	320(326.4)
H-65	Reinforced nylon wheel	65	43	38	12	300(306.0)
H-75		75	43	38	12	320(326.4)
H-65	MC nylon wheel (including B)	65	43	38	12	300(306.0)
H-75		75	43	38	12	320(326.4)
H-65	MC nylon wheel (including B) (conductive)	65	43	38	12	300(306.0)
H-75		75	43	38	12	320(326.4)

\* Allowable load indicates allowable load only for wheels. \* S-\*BN indicates wheels used in SPLG TYPE, L-\*BN indicates heels used in E-AF TYPE, NB-\* and AF-\*MC indicate wheels used in AF TYPE.

\* (including B) indicates wheels equipped with bearing.

# Introduction of offices



Head quarter	Zip code: 578-0965	1-8-39 Honjo-Nishi, Higashi-Osaka-shi, Osaka	TEL.06-6747-5607 (main number)	FAX.06-6747-5608
Tokyo branch	Zip code: 101-0052	Nakamura Build.10F, 2-1-13 Kandaogawamachi, Chiyoda-ku, Tokyo	TEL.03-3295-0615 (main number)	FAX.03-3295-0616
Osaka branch	Zip code: 578-0965	1-8-39 Honjo-Nishi, Higashi-Osaka-shi, Osaka	TEL.06-6747-5618 (main number)	FAX.06-6747-5609
Kanto sales office	Zip code: 332-0006	1-6-12 Suehiro, Kawaguchi-shi, Saitama	TEL.048-222-3871 (main number)	FAX.048-222-3862
Chubu sales office	Zip code: 486-0854	161-2 Hayashijima-cho, Kasugai-shi, Aichi	TEL.0568-86-3066 (main number)	FAX.0568-86-3067
Fukuoka sales office	Zip code: 822-1101	474-124 Akaike Tagawa-gun Fukuchi-machi, Fukuoka	TEL.0947-28-6622	FAX.0947-28-5625
Nara Ikezawa plant	Zip code: 639-1032	321-9 Ikezawa-cho, Yamatokoriyama-shi, Nara	TEL.0743-56-8751 (main number)	FAX.0743-56-8750
Nara Nukatabe plant	Zip code: 639-1035	374-4 Nukatabeminami-cho, Yamatokoriyama-shi, Nara	TEL.0743-56-8891	FAX.0743-56-8892
Fukuoka plant	Zip code: 822-1101	474-124 Akaike Tagawa-gun Fukuchi-machi, Fukuoka	TEL.0947-28-5722 (main number)	FAX.0947-28-5625

YUEI CASTER(SHANGHAI)CO.,LTD.  
 Jiafu Rd. 618, Malu Town, Jiading District, Shanghai, China.  
 TEL: 021-39510089 FAX: 021-59516169